
PREAMBLE

Instruction For Use of Documentation

The total required information provided to design and build an Aloft Hotel by Marriott is contained in the criteria documents identified below which relay standardized public space, guestrooms, guestroom corridors, back of house and building site + exterior. Eclectic is the decor package for the Public Space and Guestrooms.

Comprehensive Criteria Documents for The Aloft Hotel by Marriott are:

1. Design Standards
2. Design Guideline Drawings
3. Specifications as indicated below:
 - A. Building Product Manual (BPM)**
 - Volume 1 - Building Site + Exterior**
 - Volume 2 - Public Space
 - Volume 3 - Guestrooms
 - Volume 4 - Food Service & Guest Laundry Equipment
 - B. Exterior Signage Specifications
 - C. Interior Signage Specifications

Description Follows:

1. Design Standards provide a written macro view of the overall design elements required for Aloft Hotel by Marriott.
2. The Design Guideline Drawings - provide more specific design direction via drawings to supplement the Design Standards.
3. The Interior Décor Spec Manual lists items required that are generally referred to as Furniture, Fixture, & Equipment or FF&E items. These items and the accepted suppliers listed, have been contracted by Marriott and can be supplied through Marriott's procurement division.
4. The Building Product Manual (BPM) lists all the finishes required for the building and the building products that are typically installed and supplied by the General Contractor. This document must be used in conjunction with the drawings for the contractor supplied items as specific dimensions and criteria are referenced in both documents. Because of the high quality of design expected for Aloft by Marriott, Marriott has specified acceptable suppliers who have worked closely with Marriott on the initial Aloft Design.

All of these documents are integral elements of the complete design and construction information. The project architect is

When finishes and products that vary between the Décor packages appear in the Design Guideline Drawings with base number only. These finishes and products when listed in the Interior Decor Specification Manual (finishes and FF&E items that can be purchased through Marriott Procurement) will appear with the base number plus a suffix specific to the particular décor package. Those finishes and products listed in the Building Product Manual that vary between Décor packages will appear with the base number plus a prefix indicating the specific Décor Package .

General Compliance Requirements

The Owner's/ Franchisee's Consulting Design Professional shall be responsible for verifying and complying with all applicable laws, covenants, codes, ordinances, rules, regulations, restrictions, etc. The Design Professional shall pay close attention to the requirements of the federal accessibility law, Americans with Disability Act (ADA), local and state accessibility regulations, and the applicable fire, life safety requirements. It is also the responsibility of each hotel owner to ensure that all products have been adjusted in dimension, quantity and hand suit the specific site conditions.

GENERAL NOTES

1. All images, photographs, renderings of specified items contained in this specification package area for general design intent and reference only.
2. Refer to the preamble for terms, conditions, abbreviations, definitions, responsibilities, and general guidelines for all specified items.
3. Refer to drawings for exact locations and/or mounting heights of furniture, fixtures, and equipment. In the event of a discrepancy between drawings and specifications, please contact Marriott International immediately for written clarification.
4. Submittal of shop drawings & finish samples to Marriott International for review and written approval is required for any item supplied by a vendor other than the specified source.
5. Design Documentation firm to verify that all flammability requirements are met for property location. The requirements noted within this specification are general and local flammability may be more stringent.
6. Install all products and finishes per manufacturer's recommendations.
7. Final quantity of items to be based on final plans, room quantity, and final matrix.

ABBREVIATIONS

General Schedule Abbreviations:

ADA	Americans with Disabilities Act
AFF	Above Finish Floor
ASTM	American Society of Testing Materials
AWI	American Woodworking Institute
CEF	Corridors, Elevators, and Foyers
CF/CI	Contractor Furnished/ Contractor Installed
COM	Customer's Own Material
GC	General Contractor
GR	Guest Room
GRB	Guest Room Bath
LY	Lineal Yard
MF/MI	Manufacturer Furnished/ Manufacturer Installed
N/A	Not Applicable
NFPA	National Fire Protection Association
NY	Narrow Yards
OF/CI	Owner Furnished/ Contractor Installed
OF/MI	Owner Furnished/ Manufacturer Installed
OF/OI	Owner Furnished/ Owner Installed
RFP	Request for Proposal
SF	Square Feet
SY	Square Yard
UL	Underwriters Laboratory

BPM (Building Product Manual) Number Nomenclature

(items are numbered with the item prefix and then consecutive numbers starting with 001 - "Mark Number" unless indicated otherwise)

Exterior	Exterior Aluminum Louver	EAL-XXX
	Exterior Canopy	ECA-XXX
	Exterior Coiling Grille	ECG-XXX
	Exterior Insulation Finishing System (EIFS)	EEF-XXX
	Exterior Fireplace	EFP-XXX
	Exterior Glazing	EGL-XXX
	Exterior Metal Windows	EMW-XXX
	Exterior Roofing	ERO-XXX
	Exterior Soffit	ESO-XXX
	Exterior Wall Membrane	EWM-XXX
	Exterior Wall Panel	EWP-XXX
Exterior Wood Decking	EWD-XXX	
Electrical	Exterior Strip Lighting	ALJ-XXX
	Exterior Light (touching building)	ALY-XXX
	Exterior Light (not touching building)	ALZ-XXX

Marriott Legal Disclaimer

These design guidelines and all materials, procedures, systems and content herein contained or depicted (the "Design Guidelines") have been prepared for and/or developed by Marriott International, Inc. or its affiliate ("Marriott"), and are the sole and exclusive property of Marriott, which owns all right, title and interest therein, including all copyright, and which reserves all rights herein. All contents should be used only as authorized by Marriott and should not be copied either in whole or in part without its written consent.

The content herein may be protected by patent, trademark, trade secret, copyright, or other intellectual property and proprietary rights and laws, and is the private and confidential property of Marriott. The contents contain proprietary trade secrets that are the private and confidential property of Marriott. Unauthorized use, disclosure, or reproduction of any kind of the Design Guidelines or any contents or material contained in these Design Guidelines is expressly prohibited. The contents hereof are to be returned immediately upon termination of any relationship or agreement giving the user authorization to possess or use such information or materials. Marriott reserves the right to take all actions and seek all available remedies, whether legal and/or equitable, for any unauthorized or illegal use of the Design Guidelines or any of its content.

These documents are intended to serve as a starting point for complete design to be performed by licensed professionals. They have been prepared with the sole purpose of conveying the brand benchmark for this particular product only. The architect, engineer, designer or any other design professional of record is responsible for compliance with any and all laws or regulations of any type or description governing the proposed construction.

These design guidelines may be altered, amended or supplemented by Marriott in its sole discretion from time to time. It is your responsibility to familiarize yourself with the contents of the Design Guidelines and to keep yourself apprised of any and all updates to it on <https://lobo.marriott.com>

In the event of any inconsistency or conflict between a provision in these Design Guidelines and any federal, provincial, state or local statute, regulation, order or other law, such law will supersede the conflicting or inconsistent provision(s) of these Design Guidelines in all properties subject to that law. All owners/developers should seek independent legal counsel for advice concerning application of and compliance with any applicable law.

Control #	Item Name	Issue Date	Revision Date
ARCHITECTURAL LIGHTING			
Architectural Lighting - Strip Lighting (ALJ)			
ALJ-09	Strip Light	7/28/2017	5/25/2018
ALJ-10	Strip Light	7/28/2017	5/25/2018
ALJ-11	Rope Light	7/28/2017	
Architectural Lighting - Specialty (ALO)			
ALO-01	Submersible Fixture	7/28/2017	1/29/2018
Architectural Lighting - Recessed Cans (ALR)			
ALR-03	Recessed Fixture	7/28/2017	1/29/2018
ALR-05	Recessed Fixture	7/28/2017	1/29/2018
ALR-10	Recessed Fixture	7/28/2017	1/29/2018
Architectural Lighting - Exterior Lighting (not touching building) (ALY)			
ALY-01	Pole Light	7/28/2017	1/29/2018
ALY-01-A	Pole Light	7/28/2017	1/29/2018
ALY-02	Sign Light	7/28/2017	1/29/2018
Architectural Lighting - Exterior Lighting (touching building) (ALZ)			
ALZ-01	Uplight	7/28/2017	1/29/2018
ALZ-02	Uplight	7/28/2017	1/29/2018
ALZ-03	Wall Mount Fixture	7/28/2017	1/29/2018
ALZ-04	Sign Light	7/28/2017	1/29/2018
ALZ-05	Sign Light	7/28/2017	1/29/2018
ALZ-06	Uplight	7/28/2017	1/29/2018
CUTSHEETS			
Exterior Materials			
Entry Mat (EM)			
EM-001	Entry Mat	1/29/2018	
Exterior Aluminum Louver (EAL)			
EAL-001	Aluminum Louver	7/28/2017	1/29/2018
Exterior Canopy (ECA)			
ECA-001	Ornamental Roof Structure	7/28/2017	1/29/2018
ECA-002	Porte Cochere Canopy	7/28/2017	1/29/2018
Exterior Coiling Grille (ECG)			
ECG-001	Coiling Grille	7/28/2017	1/29/2018
Exterior Fencing (EFE)			
FE-001	Exterior Fence - NOT USED	7/28/2017	2/14/2019
FE-002	Exterior Fence	2/14/2019	
FE-003	Exterior Fence	2/14/2019	
Exterior Glazing (EGL)			
EGL-002	Glazing	7/28/2017	
EGL-003	Glazing	7/28/2017	1/29/2018
Exterior Insulation Finishing System (EEF)			
EEF-001	Entire Building EIFS	7/28/2017	1/29/2018
EEF-002	Building Corners EIFS	7/28/2017	1/29/2018
EEF-002-A	Building Corners EIFS	7/28/2017	1/29/2018
EEF-003	Window Accent EIFS	7/28/2017	1/29/2018
EEF-003-A	Window Accent EIFS	7/28/2017	1/29/2018

Control #	Item Name	Issue Date	Revision Date
EEF-004	Window Accent EIFS	7/28/2017	1/29/2018
EEF-004-A	Window Accent EIFS	7/28/2017	1/29/2018
EEF-005	Roof Accent Feature Wall EIFS	7/28/2017	1/29/2018
Exterior Metal Windows (EMW)			
EMW-001-IN	Metal Window (Intus)	7/28/2017	1/29/2018
EMW-001-KA	Metal Window (Kawneer)	7/28/2017	1/29/2018
EMW-001-QU	Metal Window (Quaker)	7/28/2017	1/29/2018
EMW-001-YK	Metal Window (YKK AP)	1/29/2018	
Exterior Roofing (ERO)			
ERO-001	TPO Membrane Roofing	7/28/2017	1/29/2018
ERO-002	Standard Seam Roofing	7/28/2017	
Exterior Soffit (ESO)			
ESO-001	Exterior Soffit	7/28/2017	
Exterior Storefront (EST)			
EST-001	Storefront Window	7/28/2017	1/29/2018
EST-002	Storefront Window	7/28/2017	1/29/2018
EST-003	Skylight Window	2/14/2019	
Exterior Wall Panel (EWP)			
EWP-001-A	Metal Panel System (Alternate)	7/28/2017	1/29/2018
EWP-002-A	Aluminum Composite Panel (Alternate)	7/28/2017	1/29/2018
EWP-003-NI	Wood Panel (Nichiha)	7/28/2017	5/25/2018
EWP-003-AR	Wood Panel (Artexture +)	7/28/2017	1/29/2018
EWP-003-A1-NI	Wood Panel (Nichiha Alternate)	7/28/2017	5/25/2018
EWP-004	Aluminum Composite Panel	7/28/2017	1/29/2018
EWP-004-A1-NI	Aluminum Composite Panel (Alternate)	5/25/2018	
EWP-005	Fiber Cement Panel	2/14/2019	
Exterior Waterproofing Membrane (EWM)			
EWM-001	Exterior Waterproofing Membrane	7/28/2017	1/29/2018
Exterior Wood Decking (EWD)			
EWD-001	Exterior Wood Decking	2/14/2019	

Architectural Lighting - Strip Lighting

Item Name	Strip Light
Type:	Direct View Linear Exterior LED
Description:	Elevation Only - Blue
Manufacturer:	LC Philips Lighting
Model #:	912400136249
Dimensions:	79'-0" x 4'-1/2" x 5'-1/2" x 59'-0" x 4'-1/2" x 5'-1/2"
Finish:	N/A
Trim:	N/A
Reflector:	N/A
Lens/Shade:	Translucent UV-Protected Polycarbonate
Mount:	Surface
On Dimming System:	If Desired
Dimming Type:	DMX
Lamp Type:	LED icolor
Lamp Kelvin:	N/A
Lamp CRI:	RGB color: Red 28, Green 88, Blue 240
Delivered Lumens (LED) or Mean Lumens (Non-LED):	591 Lumens per 4'-0" Section
Fixture Input (Max. Watts):	10W per 4'-0" Section
Voltage:	100-240V
Lead Time:	4 Weeks
Warranty:	3 Years
Note:	Product is Available in 1'-0" and 4'-0" Sections. Order Proper Quantity and Mix to Reach Desired Length.



SPECIAL INSTRUCTIONS

<p>MANUFACTURER LC Philips Lighting Keith Graham (607) 438-8839 keith.graham@philips.com</p>	<p>AREAS EXTERIOR BUILDING Facade</p>
<p>ALTERNATE MANUFACTURER 1</p>	
<p>ALTERNATE MANUFACTURER 2</p>	
<p>ALTERNATE MANUFACTURER 3</p>	

Item Name	Strip Light
Type:	Direct View Linear Exterior LED
Description:	Elevation only - Pink
Manufacturer:	LC Philips Lighting
Model #:	912400136249
Dimensions:	39'-0" x 4-1/2" x 5-1/2" x 60'-0" x 4-1/2" x 5-1/2"
Finish:	N/A
Trim:	N/A
Reflector:	N/A
Lens/Shade:	Translucent UV Protected Polycarbonate
Mount:	Surface
On Dimming System:	If Desired
Dimming Type:	DMX
Lamp Type:	LED icolor
Lamp Kelvin:	N/A
Lamp CRI:	RGB color: To match Pantone 7649C or RAL 350 30 40
Delivered Lumens (LED) or Mean Lumens (Non-LED):	591 Lumens per 4'-0" Section
Fixture Input (Max. Watts):	10W per 4'-0" Section
Note:	Product is Available in 1'-0' and 4'-0" Sections. Order Proper Quantity and Mix to Reach Desired Length.
Voltage:	100-240V
Lead Time:	4 Weeks
Warranty:	3 Years



SPECIAL INSTRUCTIONS

<p>MANUFACTURER LC Philips Lighting Keith Graham (607) 438-8839 keith.graham@philips.com</p> <p>ALTERNATE MANUFACTURER 1</p> <hr/> <p>ALTERNATE MANUFACTURER 2</p> <hr/> <p>ALTERNATE MANUFACTURER 3</p>	<p>AREAS EXTERIOR BUILDING Facade</p>
--	--

Issue Date: 28 JUL 2017

Revision Date:

Item Name	Rope Light
Type:	LED light at terrace
Description:	LED Flexbrite reel
Manufacturer:	American Lighting
Model #:	LED-MRL-UWW-150
Dimensions:	Refer to drawings for length required. Reel length 150', 3/8" Dia
Finish:	Clear White
Trim:	N/A
Reflector:	N/A
Lens/Shade:	N/A
Mount:	MRL-TRACK-4
On Dimming System:	Yes
Dimming Type:	5-100% with ELV/LED dimmers
Lamp Type:	LED 3mm
Lamp Kelvin:	Ultra Warm White 2100K
Lamp CRI:	67+
Delivered Lumens (LED) or Mean Lumens (Non-LED):	30lm/ft
Accessories:	MRL-LED-CONKIT-1.6 AMP Power Connector kit with 5 ft cord, fused plug power connector and end cap
Fixture Input (Max. Watts):	1w/ft
Voltage:	120V
Lead Time:	To be verified
Warranty:	To be verified



SPECIAL INSTRUCTIONS

<p>MANUFACTURER American Lighting 800-285-8051</p> <hr/> <p>ALTERNATE MANUFACTURER 1</p> <hr/> <p>ALTERNATE MANUFACTURER 2</p> <hr/> <p>ALTERNATE MANUFACTURER 3</p>	<p>AREAS EXTERIOR BUILDING Backyard (Pool Terrace)</p>
---	---

Architectural Lighting - Specialty

Item Name	Submersible Fixture
Type:	Pool Accent Fixture
Description:	Underwater pool accent with remote transformer
Manufacturer:	Hydrel
Model #:	4800-RD-SS-M75W-12-FL-CLS-NM-3445B-CSL-35'-SWM-LP
Dimensions:	6-5/8"L x 5-1/2"W x 6-1/8"H
Door Type	Round
Finish:	Stainless Steel
Voltage	12
Distribution	Medium Flood
Mount:	Underwater, Niche Mount
Lens	Convex Lens Swim
On Dimming System:	No
Conduct Entries	3/4" NPT at 45°
Lamp Type:	LED
Lamp Type	9 Watt LED
Cord Set Length	35" of cord, available in 5' increments
Voltage:	120
Fixture Input (Max. Watts):	10 W
Note:	Lighting supplier to furnish each fixture with (1) glass spread lens (small pebble), (1) hexcell louver, (1) cosmetic color filter (color to match pool color finish from Great American Market Gamchroics #GO-Series color selection). Contractor to install all (3) accessories on site.
Lead Time:	TBD
Warranty:	5 year limited warranty



SPECIAL INSTRUCTIONS



<p>MANUFACTURER Hydrel Lighting Customer Service hydrelsaleservice@Hydrel.com</p>	<p>AREAS EXTERIOR SITE Exterior Pool</p>
<p>ALTERNATE MANUFACTURER 1</p>	
<p>ALTERNATE MANUFACTURER 2</p>	
<p>ALTERNATE MANUFACTURER 3</p>	

Architectural Lighting - Recessed can

Issue Date: 28 JUL 2017

Revision Date: 29 JAN 2018

Item Name	Recessed Fixture
Type:	Downlight
Description:	4" Wall Wash Downlight Clear White Flange
Manufacturer:	Eaton/Portfolio
Model #:	LD4B10D010-EU4B10209030DTW-4LBSW2H-HB26
Dimensions:	10-3/16" L x 9-3/16" W x 5-11/16" H x 4-1/2" Aperature
Trim:	Clear Haze
Reflector:	Clear
Lens/Shade:	None
Mount:	Recessed
On Dimming System:	Yes
Dimming Type:	0 - 10v
Lamp Type:	LED
Lamp Kelvin:	3000K
Lamp CRI:	90
Delivered Lumens (LED) or Mean Lumens (Non-LED):	900
Fixture Input (Max. Watts):	14.1
Voltage:	120 - 277
Lead Time:	In Stock or 4 weeks
Warranty:	Five year warranty



SPECIAL INSTRUCTIONS

<p>MANUFACTURER Eaton Lighting Kathleen Kenny 678-447-5208 KathleenKenny@Eaton.com</p>	<p>AREAS EXTERIOR BUILDING Exterior Canopy</p>
<p>ALTERNATE MANUFACTURER 1</p>	
<p>ALTERNATE MANUFACTURER 2</p>	
<p>ALTERNATE MANUFACTURER 3</p>	

Issue Date: 28 JUL 2017

Revision Date: 29 JAN 2018

Item Name	Recessed Fixture
Type:	Downlight
Description:	4" Downlight
Manufacturer:	Eaton/Portfolio
Model #:	LD4B10D10-EU4B10209030DTW-4LBM2H-HB26
Dimensions:	10-3/16" L x 9-3/16" W x 5-11/16" H x 4-1/2" Aperature
Trim:	Clear Haze
Reflector:	White Flange
Lens/Shade:	None
Mount:	Recessed
On Dimming System:	Yes
Dimming Type:	0-10V
Lamp Type:	LED
Lamp Kelvin:	3000K
Lamp CRI:	90
Delivered Lumens (LED) or Mean Lumens (Non-LED):	600
Fixture Input (Max. Watts):	14.1
Voltage:	120 - 277v
Lead Time:	2-6 weeks
Warranty:	5 years



SPECIAL INSTRUCTIONS

<p>MANUFACTURER Eaton Lighting Kathleen Kenny 678-447-5208 KathleenKenny@Eaton.com</p>	<p>AREAS EXTERIOR BUILDING Porte Cochere</p>
<p>ALTERNATE MANUFACTURER 1</p>	
<p>ALTERNATE MANUFACTURER 2</p>	
<p>ALTERNATE MANUFACTURER 3</p>	

Issue Date: 28 JUL 2017

Revision Date: 29 JAN 2018

Item Name	Recessed Fixture
Type:	Downlight
Description:	5" Downlight White Baffle Wet Location
Manufacturer:	Eaton/Halo
Model #:	H750ICAT-ML5606927-596WB
Dimensions:	7" H x 10.5" W x 7-3/8" L x 4.8" Aperature
Finish:	Baffle White Flange
Trim:	White
Reflector:	White
Lens/Shade:	None
Mount:	Recessed
On Dimming System:	Yes
Dimming Type:	LE/TE
Lamp Type:	LED
Lamp Kelvin:	3000K
Lamp CRI:	90
Delivered Lumens (LED) or Mean Lumens (Non-LED):	600
Voltage:	120 - 277
Lead Time:	In stock or 4 weeks
Warranty:	5 Year



SPECIAL INSTRUCTIONS

<p>MANUFACTURER Eaton Lighting Kathleen Kenny 678-447-5208 KathleenKenny@Eaton.com</p>	<p>AREAS EXTERIOR BUILDING Pool Shower</p>
<p>ALTERNATE MANUFACTURER 1</p>	
<p>ALTERNATE MANUFACTURER 2</p>	
<p>ALTERNATE MANUFACTURER 3</p>	

Architectural Lighting - Exterior Lighting (not touching building)

Issue Date: 28 JUL 2017

Revision Date: 29 JAN 2018

Item Name	Pole Light
Type:	Exterior Parking Lot
Description:	Exterior Parking Lot Type III with 25 foot Pole
Manufacturer:	Eaton/Lumark
Model #:	PFPRV-1-A60-T3-25
Dimensions:	2-3/4" H x 26-13/16" L x 13-15/16" W, 25' Pole
Finish:	Bronze
Trim:	None
On Dimming System:	No
Dimming Type:	Pole
Lamp Type:	LED
Lamp Kelvin:	4000K
Lamp CRI:	80
Delivered Lumens (LED) or Mean Lumens (Non-LED):	18900
Voltage:	120 - 277
Lead Time:	2-4 weeks
Warranty:	Five year warranty



SPECIAL INSTRUCTIONS

<p>MANUFACTURER Eaton Lighting Kathleen Kenny 678-447-5208 KathleenKenny@Eaton.com</p>	<p>AREAS EXTERIOR SITE Exterior Site</p>
<p>ALTERNATE MANUFACTURER 1</p>	
<p>ALTERNATE MANUFACTURER 2</p>	
<p>ALTERNATE MANUFACTURER 3</p>	

Issue Date: 28 JUL 2017

Revision Date: 29 JAN 2018

Item Name	Pole Light
Type:	Exterior Parking Lot
Description:	Exterior Parking Lot Type III with 25 foot Pole
Manufacturer:	Eaton/Lumark
Model #:	PFPRV-1-A60-T3-25-MSP/DIM-L30
Dimensions:	2-3/4" H x 26-13/16" L x 13-15/16" W, 25' Pole
Finish:	Bronze
Trim:	None
Mount:	Pole
On Dimming System:	Integrated Sensors
Dimming Type:	Pole
Lamp Type:	LED
Lamp Kelvin:	4000K
Lamp CRI:	80
Delivered Lumens (LED) or Mean Lumens (Non-LED):	18900
Voltage:	120 - 277
Lead Time:	2-4 weeks
Warranty:	Five year warranty



SPECIAL INSTRUCTIONS

<p>MANUFACTURER Eaton Lighting Kathleen Kenny 678-447-5208 KathleenKenny@Eaton.com</p>	<p>AREAS EXTERIOR SITE Exterior Site</p>
<p>ALTERNATE MANUFACTURER 1</p>	
<p>ALTERNATE MANUFACTURER 2</p>	
<p>ALTERNATE MANUFACTURER 3</p>	

Item Name	Aloft Sign Light
Type:	Exterior ground-mount recessed
Description:	Boca LED ground-mount recessed luminaire with adjustable lamp, 22 degree tilt, 360 degree rotation
Manufacturer:	Lumiere/ Eaton
Model #:	696-10LED-4021-120/12 CS
Dimensions:	6 1/4" diameter by 9 1/4" deep in-ground LED luminaire
Finish:	City Silver
Trim:	Standard Round Trim
Reflector:	N/A
Beam Spread:	21 degree narrow
Mount:	In-ground
On Dimming System:	No
Dimming Type:	N/A
Lamp Type:	LED
Lamp Kelvin:	4000K
Lamp CRI:	
Delivered Lumens (LED) or Mean Lumens (Non-LED):	370
Fixture Input (Max. Watts):	10W
Voltage:	120V Integral Transformer
Lead Time:	To be verified
Warranty:	To be verified



SPECIAL INSTRUCTIONS

<p>MANUFACTURER Eaton Lighting Kathleen Kenny 678-447-5208 KathleenKenny@Eaton.com</p>	<p>AREAS EXTERIOR BUILDING Porte Cochere</p>
<p>ALTERNATE MANUFACTURER 1</p>	
<p>ALTERNATE MANUFACTURER 2</p>	
<p>ALTERNATE MANUFACTURER 3</p>	

Architectural Lighting - Exterior Lighting (touching building)

Issue Date: 28 JUL 2017

Revision Date: 29 JAN 2018

Item Name	Uplight
Type:	Single Pendant
Description:	Exterior uplight
Manufacturer:	Eaton/Ametrix
Model #:	ASYXSPS10DUFL301UNVSR30"STD
Dimensions:	8.17" W x 17.35" D x 2.5" H x 30" Pendant Stem Length
Finish:	Silver
Mount:	Ceiling
Lamp Type:	LED
Lamp Kelvin:	4000K
Lamp CRI:	70 CRI
Delivered Lumens (LED) or Mean Lumens (Non-LED):	4000K
Fixture Input (Max. Watts):	55
Voltage:	120 - 277
Lead Time:	4-6 weeks
Warranty:	Five year limited warranty on parts



SPECIAL INSTRUCTIONS

<p>MANUFACTURER Eaton Lighting Kathleen Kenny 678-447-5208 KathleenKenny@Eaton.com</p>	<p>AREAS EXTERIOR BUILDING Porte Cochere</p>
<p>ALTERNATE MANUFACTURER 1</p>	
<p>ALTERNATE MANUFACTURER 2</p>	
<p>ALTERNATE MANUFACTURER 3</p>	

Issue Date: 28 JUL 2017

Revision Date: 29 JAN 2018

Item Name	Uplight
Type:	Double Pendant
Description:	Exterior uplight
Manufacturer:	Eaton/Ametrix
Model #:	ASYXSPS10DUFL301UNVSR30"STD
Dimensions:	8.17" W x 17.35" D x 2.5" H x 30" Pendant Stem Length
Finish:	Silver
Lens/Shade:	
Mount:	Ceiling
Lamp Type:	LED
Lamp Kelvin:	4000K
Lamp CRI:	70
Delivered Lumens (LED) or Mean Lumens (Non-LED):	4003
Fixture Input (Max. Watts):	55
Voltage:	120 - 277
Lead Time:	4-6 weeks
Warranty:	Five year limited warranty on all parts



SPECIAL INSTRUCTIONS

<p>MANUFACTURER Eaton Lighting Kathleen Kenny 678-447-5208 KathleenKenny@Eaton.com</p>	<p>AREAS EXTERIOR BUILDING Porte Cochere</p>
<p>ALTERNATE MANUFACTURER 1</p>	
<p>ALTERNATE MANUFACTURER 2</p>	
<p>ALTERNATE MANUFACTURER 3</p>	

Item Name	Wall Mount Fixture
Type:	Mount Downlight
Description:	6-1/2" Cylinder wall mount
Manufacturer:	Eaton/Halo Commercial
Model #:	LSSQRWM6B-20-DE010-MB-EC6B10208030-6LBMH
Dimensions:	6-1/2" D x 13-1/2" H
Finish:	Matte Black
Reflector:	Haze
Mount:	Wall Mount
On Dimming System:	No
Dimming Type:	0 - 10v
Lamp Type:	LED
Lamp Kelvin:	3000K
Lamp CRI:	80
Delivered Lumens (LED) or Mean Lumens (Non-LED):	1490 Lumens
Fixture Input (Max. Watts):	TBD
Voltage:	120 - 277
Lead Time:	2-4 weeks
Warranty:	Five year warranty



SPECIAL INSTRUCTIONS

<p>MANUFACTURER Eaton Lighting Kathleen Kenny 678-447-5208 KathleenKenny@Eaton.com</p>	<p>AREAS EXTERIOR BUILDING Facade</p>
<p>ALTERNATE MANUFACTURER 1</p>	
<p>ALTERNATE MANUFACTURER 2</p>	
<p>ALTERNATE MANUFACTURER 3</p>	

Item Name	Sign Light
Type:	LED Strip Backlight
Description:	LED linear fixture to length of panel.
Manufacturer:	Eaton/I/O
Model #:	0.05V2.E.30K.30.102.1.72.UNV
Dimensions:	2.1" H x 2.3" Wide (3.67" Wide with adjustable mtg bracket) x 68.71" L
Finish:	Aluminum
Lens/Shade:	30 Degrees by 60 Degrees optics
Mount:	Field Adjustable Mounting Bracket. Lockable/Aimable
On Dimming System:	Yes
Dimming Type:	0 - 10 V
Lamp Type:	LED
Lamp Kelvin:	3000K
Lamp CRI:	80+
Delivered Lumens (LED) or Mean Lumens (Non-LED):	823/lf
Fixture Input (Max. Watts):	TBD
Voltage:	TBD
Lead Time:	4-6 weeks
Warranty:	Five year warranty



SPECIAL INSTRUCTIONS

<p>MANUFACTURER Eaton Lighting Kathleen Kenny 678-447-5208 KathleenKenny@Eaton.com</p>	<p>AREAS EXTERIOR BUILDING Facade</p>
<p>ALTERNATE MANUFACTURER 1</p>	
<p>ALTERNATE MANUFACTURER 2</p>	
<p>ALTERNATE MANUFACTURER 3</p>	

Item Name	Sign Light
Type:	LED Strip Backlight
Description:	LED linear fixture to length of panel.
Manufacturer:	Eaton/I/O
Model #:	0.05V2.E.30K.30.102.1.72.UNV
Dimensions:	2.1" H x 2.3" Wide (3.67" Wide with adjustable mtg bracket) x 68.71" L
Finish:	Aluminum
Lens/Shade:	30 Degrees by 60 Degrees optics
Mount:	Field Adjustable Mounting Bracket. Lockable/Aimable
On Dimming System:	Yes
Dimming Type:	0 - 10 V
Lamp Type:	LED
Lamp Kelvin:	3000K
Lamp CRI:	80+
Delivered Lumens (LED) or Mean Lumens (Non-LED):	823/lf
Fixture Input (Max. Watts):	TBD
Voltage:	TBD
Lead Time:	4-6 weeks
Warranty:	Five year warranty



SPECIAL INSTRUCTIONS

<p>MANUFACTURER Eaton Lighting Kathleen Kenny 678-447-5208 KathleenKenny@Eaton.com</p>	<p>AREAS EXTERIOR BUILDING Facade</p>
<p>ALTERNATE MANUFACTURER 1</p>	
<p>ALTERNATE MANUFACTURER 2</p>	
<p>ALTERNATE MANUFACTURER 3</p>	

Item Name	Uplight
Type:	LED strip backlight
Description:	LED linear fixture to length of panel.
Manufacturer:	Eaton/I/O
Model #:	0.05V2.E.30K.30.102.1.72.UNV
Dimensions:	2.1" H x 2.3" Wide (3.67" Wide with adjustable mtg bracket) x 68.71" L
Finish:	Aluminum
Lens/Shade:	30 Degrees by 60 Degrees optics
Mount:	Field Adjustable Mounting Bracket. Lockable/Aimable
On Dimming System:	Yes
Dimming Type:	0 - 10V
Lamp Type:	LED
Lamp Kelvin:	3000K
Lamp CRI:	80+
Delivered Lumens (LED) or Mean Lumens (Non-LED):	823/lf
Fixture Input (Max. Watts):	TBD
Voltage:	120/277
Lead Time:	4-6 weeks
Warranty:	Five year warranty



SPECIAL INSTRUCTIONS

<p>MANUFACTURER Eaton Lighting Kathleen Kenny 678-447-5208 KathleenKenny@Eaton.com</p>	<p>AREAS EXTERIOR BUILDING Roof Feature</p>
<p>ALTERNATE MANUFACTURER 1</p>	
<p>ALTERNATE MANUFACTURER 2</p>	
<p>ALTERNATE MANUFACTURER 3</p>	

Architectural Lighting - Cutsheets



ALJ-009	ALJ-010
Revision Date: _____	Revision Date: _____
Firm Name: _____	
Project: _____	



iColor Accent MX Powercore gen2

1214 mm (4 ft)

Precision-controlled direct view linear exterior LED luminaire with intelligent color light

iColor Accent MX Powercore gen2 is a direct view linear LED luminaire ideally suited for creating long ribbons of color and color-changing effects. Variable resolution offers the precision to display large-scale video, graphics, and intricately designed effects in a host of architectural, retail, and entertainment settings. iColor Accent MX Powercore gen2 offers the efficiency and cost-effectiveness of Powercore technology in an outdoor-rated, road-ready aluminium housing.

iColor Accent MX Powercore

ALJ-009

Revision Date:

ALJ-010

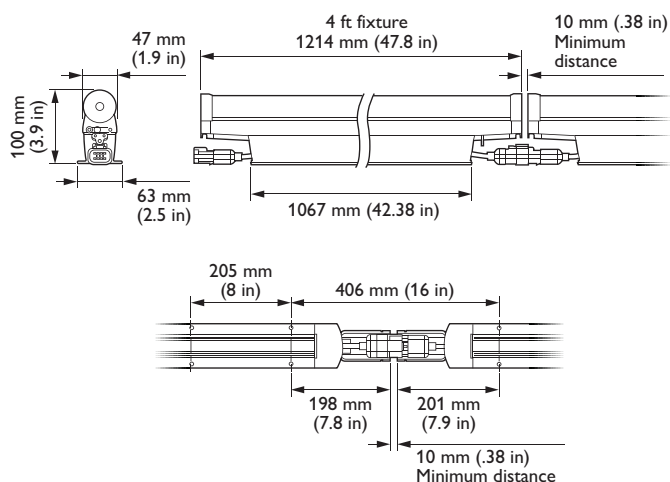
Revision Date:

Precision-controlled direct view linear exterior LED luminaire with intelligent color light

- Integrates patented Powercore technology—Powercore technology rapidly, efficiently, and accurately controls power output to luminaires directly from line voltage. The Philips Data Enabler Pro merges line voltage and control data and delivers them over a single cable, dramatically simplifying installation and lowering total system cost.
- Native, onboard Ethernet—Luminaires accept Ethernet input from the Data Enabler Pro to support long control runs not subject to DMX data and addressing limitations.
- Precise resolution control—608 mm (2 ft) and 1214 mm (4 ft) lengths are easily connected to create long, continuous columns of intense, dynamic color. Luminaires can be addressed and controlled in increments down to 30 mm (1.2 in), or up to 1214 mm (4 ft).
- Exceptional viewing angles—The diffused plastic lens, specifically designed for direct viewing, provides exceptional viewing angles and ensures uniform color mixing.
- Rugged, durable construction—This IP66-rated luminaire is designed to meet the taxing requirements of outdoor and entertainment applications. The extruded aluminium housing resists shock, vibration, and other forms of rough handling.
- Flexible positioning—Over-molded, end-to-end locking connectors supply both power and data. Connectors can make 180° turns for easy layout. Jumper cables of 305 mm (1 ft), 610 mm (2 ft), 1.5 m (5 ft), and 3 m (10 ft) can add extra space between luminaires.
- Industry-leading controls—Works seamlessly with the complete Philips line of controllers, including Video System Manager Pro, Light System Manager, and iPlayer 3, as well as third-party controllers.
- Universal power input range—Accepts a universal power input range of 100 to 240 VAC for consistent installation anywhere in the world. Each Data Enabler Pro can support multiple luminaires for creating long lines of video or ribbons of intricately changing color.

For detailed product information, please refer to the iColor Accent MX Powercore gen2 Product Guide at www.colorkinetics.com/ls/rgb/iColor-Accent-MX-gen2/

Dimensions



Specifications

Due to continuous improvements and innovations, specifications may change without notice.

ALJ-009	ALJ-010
Revision Date: _____	Revision Date: _____
Firm Name: _____	
Project: _____	



iColor Accent MX Powercore gen2
1214 mm (4 ft)

Output

Viewing	120 x 225°
Lumens†	591
On-Axis Candela	98
On-Axis Candela per node	2.45
Efficacy (lm/W)§§	19.3
LED Channels	Red/Green/Blue

Electrical

Input Voltage	100 to 240 VAC, auto-ranging, 50/60 Hz via Data Enabler Pro
Power Consumption <i>(Per foot maximum at full output, steady state)</i>	10 W

Control

Interface	Data Enabler Pro (DMX/Ethernet)
Control System	Philips Color Kinetics full range of controllers, including Light System Manager, Video System Manager Pro, iPlayer 3, Antumbra iColor Keypad, and ColorDial Pro, or third-party controllers
ActiveSite	ActiveSite Ready

Lumen Maintenance

Threshold§	Ambient Temperature	Reported¶	Calculated¶
L ₅₀	50 °C	> 50,000	

Physical

Dimensions <i>(Height x Width x Depth)</i>	100 x 1214 x 63 mm (3.9 x 47.8 x 2.5 in)
Weight	4.2 kg (9.3 lb)
Housing Material	Sealed plastic and extruded aluminium
Lens	Translucent UV-protected polycarbonate
Luminaire Connections	Over-molded, integral male/female connectors

Temperature Ranges

-40 to 50 °C (-40 to 122 °F) Operating	
-20 to 50 °C (-4 to 122 °F) Startup	
-40 to 80 °C (-40 to 176 °F) Storage	
Vibration Resistance	Complies with ANSI C136.31, 3G
Mechanical Impact	IK10
Humidity	0 to 95%, non-condensing
Maximum Luminaires Per Data Enabler Pro	25

Certification and Safety

Approbation	UL/cUL, CE
Environment	IP66



† Lumen output measurements comply with IES LM-79-08 testing procedures.

§ Lxx = xx% lumen maintenance (when light output drops below xx% of initial output). All values are given at B10, or the median value where 90% of the LED population is better than the reported or calculated lumen maintenance measurement.

¶ Lumen maintenance figures are based on lifetime prediction graphs supplied by LED source manufacturers. Whenever possible, figures use measurements that comply with IES LM-80-08 testing procedures. In accordance with TM-21-11, Reported values represent the interpolated value based on six times the LM-80-08 total test duration (in hours). Calculated values represent time durations that exceed six times the total test duration.

§§ Efficacy measurements are estimated based on the 1214 mm (4 ft) measurements.

ALJ-009

Revision Date:

ALJ-010

Revision Date:

For help estimating the light output and distribution of eColor lighting luminaires, please contact Philips Color Kinetics Applications Engineering Services at support@colorkinetics.com.

Luminaire and Accessories

Use Item Number when ordering in North America.

Luminaire	Item Number	Philips 12NC
iColor Accent MX Powercore gen2 1214 mm (4 ft)	123-000180-01	912400136249
Accessories		
Leader cable with terminator and strain relief, 15.2 m (50 ft)	108-000028-01	910503700086
Jumper Cable, 305 mm (1 ft)	108-000029-03	910503700087
Jumper Cable, 610 mm (2 ft)	108-000029-06	910503700090
Jumper Cable, 1.5 m (5 ft)	108-000029-05	910503700089
Jumper Cable, 3 m (10 ft)	108-000029-04	910503700088
Power Supplies		
Data Enabler Pro, 3/4 in / 1/2 in NPT (U.S. trade size conduit)	106-000004-00	910503701210
Data Enabler Pro, PG21/PG13 (metric size conduit)	106-000004-01	910503701211

Copyright © 2018 Philips Lighting Holding B.V. All rights reserved. Chromacore, Chromasic, CK, the CK logo, Color Kinetics, the Color Kinetics logo, ColorBlast, ColorBlaze, ColorBurst, eW Fuse, ColorGraze, ColorPlay, ColorReach, iW Reach, eW Reach, DIMand, EssentialWhite, eW, EvenBalance, iColor, iColor Cove, IntelliWhite, iW, iPlayer, Optibin, and Powercore are either registered trademarks or trademarks of Philips Lighting Holding B.V. in the United States and/or other countries. All other brand or product names are trademarks or registered trademarks of their respective owners. Due to continuous improvements and innovations, specifications may change without notice.

DAS-000223-00 R00 05 Dec 2017



Philips Color Kinetics
www.philips.com/colorkinetics

LED FLEXBRITE BULK REELS



Economical, versatile and flexible LED rope light reels in seven colors (non-rated if cut).

Performance

- LED FlexBrite reels are economical; use the Custom Cut program when UL2388 compliance is required (1/2" Dia, 120V Ultra Warm White and Cool White only; page 125)
- 3mm LEDs at 1" spacing emit up to 34 lumens per foot
- Dimmable with most electronic low voltage and LED/CFL dimmers* (minimum loads may apply)
- Suitable for indoor and outdoor use

Construction

- 120V reels include one factory-attached five foot power cord with 1.6A inverter and fused 120V AC 2-prong plug (low-voltage reels do not have plugs), end cap on opposite end and 50 mounting clips
- 1" LED spacing in clear UV inhibited PVC housing with 3mm LEDs wired in series parallel (36 LEDs per series)

Installation

- Use clips to hold in place for most indirect view installations
- Clear plastic track should be used for direct view installations and when mounting to the underside of a shelf or ledge to prevent sagging

Specifications

Series	ULRL-LED, LED-MRL; RL-LED
Input voltage	120V, 60Hz AC; 12V, 24V
Colors	UWW/WH/AM/BL/GR/RE/YE
CRI or nm	67+(UWW) / 75+ CRI(WH)
Wattage	See individual product
Lumens	See individual product
Reel length	150 feet
Maximum run	150 feet
Cuttability	36" unless otherwise noted
Beam angle	120°
Dimming	5-100% with ELV/LED dimmers*
Material	Clear PVC with UV inhibitor
Rating	UL Listed for wet locations**
Dimensions	1/2" or 3/8" Dia. x 1" LED spacing
Switching	Wall control
Mounting	Clips or mounting track
Linking	Via LR-LED-EXT3 (kits only)
LED type	3mm LEDs, vertical mount
Rated life	60,000 hrs

*Per the NEC, switched wall outlets cannot be used with wall dimmers
 **UL Listing is void if product is cut



LED FlexBrite 120V Bulk Reels



- UL 1/2" 120V LED FLEXBRITE 150FT REELS
 - ULRL-LED-UWW-150 Ultra Warm White, 2100K, 1W/ft, 30Lm/ft
 - ULRL-LED-WH-150 Cool White, 6400K, 1W/ft, 34Lm/ft
 - ULRL-LED-AM-150 Amber, 60° cut, 47W/ft
 - ULRL-LED-BL-150 Blue, 1W/ft
 - ULRL-LED-GR-150 Green, 1W/ft
 - ULRL-LED-RE-150 Red, 60° cut, 47W/ft
 - ULRL-LED-YE-150 Yellow, 60° cut, 47W/ft

- 3/8" 120V LED FLEXBRITE 150FT REELS
 - LED-MRL-UWW-150 Ultra Warm White, 2100K, 1W/ft, 30Lm/ft
 - LED-MRL-WH-150 Cool White, 6400K, 1W/ft, 34Lm/ft
 - LED-MRL-AM-150 Amber, 60° cut, 47W/ft
 - LED-MRL-BL-150 Blue, 1W/ft
 - LED-MRL-GR-150 Green, 1W/ft
 - LED-MRL-RE-150 Red, 60° cut, 47W/ft
 - LED-MRL-YE-150 Yellow, 60° cut, 47W/ft

LED FlexBrite 12V & 24V Bulk Reels

- 1/2" 12V LED FLEXBRITE 150FT REELS
 - 30ft max run, 3" cut, 1W/ft
 - RL-LED-PW-12V 5000K Pure White
 - RL-LED-UWW-12V 2700K Ultra Warm White

- 3/8" 12V LED FLEXBRITE 150FT REELS
 - 30ft max run, 3" cut, 1W/ft
 - LED-MRL-WW-12V 5000K Warm White

- 1/2" 24V LED FLEXBRITE 150FT REELS
 - 60ft max run, 6" cut, 1W/ft
 - RL-LED-WH-24V 5000K Bright White
 - RL-LED-UWW-24V 2700K Ultra Warm White

LED FlexBrite Accessories



- RL-LED-CONKIT-1.6AMP 1/2" Dia
- MRL-LED-CONKIT-1.6AMP 2/8" Dia
- 120V non-UL power connector kit with 5ft cord, fused plug power connector and end cap

- LED-DL-CONKIT-NP 1/2" Dia
- 12V/24V non-UL power connector kit with 5ft cord, 4A inverter, power connector and end cap



- RL-EXTKIT2 2ft Jumper kit, 1/2"
- RL-EXTKIT15 15ft jumper kit, 1/2" Non-UL rope-to-rope extension kit with two power connectors



- RL-INVSPL 1/2" Dia
- MRL-INVSPL 3/8" Dia
- Non-UL splice connector (use with RL-ST-3 or MRL-ST-3)



- RL-TRACK-4 1/2" Dia
- MRL-TRACK-4 3/8" Dia
- 4ft clear plastic mounting track



- RL-CLIP/SCREW 1/2" Dia
- MRL-CLIP/SCREW 3/8" Dia
- Clear plastic "U" shaped mounting clip with screw

ALJ-11

Revision Date:

ALO-01

Revision Date:

AcuityBrands (http://www.acuitybrands.com)

Login/Signup (login?resumeUrl=/products/detail/47490/hydrel/4800-swm/swimming-pool-fixture)

How to Buy (http://www.acuitybrands.com/resources/how-to-buy)

(/)

PRODUCT DETAILS

Overview

(/products/detail/47490/hydrel/4800-swm/swimming-pool-fixture/overview)

Specification Sheets

(/products/detail/47490/hydrel/4800-swm/swimming-pool-fixture/spec-sheets)

Photometry/Design Tools

Building Information Models

Images

(/products/detail/47490/hydrel/4800-swm/swimming-pool-fixture/images)

Instruction Sheets

(/products/detail/47490/hydrel/4800-swm/swimming-pool-fixture/instruction-sheets)

Literature

(/products/detail/47490/hydrel/4800-swm/swimming-pool-fixture/literature)

Replacement Parts

(/products/detail/47490/hydrel/4800-swm/swimming-pool-fixture/replacement-parts)



(/products/imagespopup/47490)



SPECIFICATIONS

Application Type : Hospitality, Offices and Banks, Residential, Retail
Light Source : Incandescent, LED
Lumen Maintenance : L70

Lumen Output : 500 LM
Mounting Type : Underwater
Product Type : Underwater

Series :
Voltage Rating : 120, Low Voltage

COMPARE

HOW TO BUY

(HTTP://WWW.ACUIITYBRANDS.COM/RESOURCES/HOW-TO-BUY)

SHARE

4800 SWM

Swimming Pool Fixture

The 4800 Series fixture is a wet niche-mounted pool light with temperature-sensing low water cut-off. The unit is smaller in size than conventional units. It uses 120 or 12 volt LED, 120 Volt quartz lamps (up to 150 watt) or 12 Volt MR-16 lamps (up to 75 watts). The lamp housing and niche are stainless steel. The niche includes a bonding lug on a 3/4" conduit hub.

RECENT PRODUCTS



4800 SWM

(/products/detail/47490/hydrel/4800-swm/swimming-pool-fixture)

ACUIITY BRANDS

LIGHTING

(HTTP://WWW.ACUIITYBRANDS.COM/BRANDS/LIGHTING)

- American Electric Lighting (http://www.americanelectricalighting.com/)
- Antique Street Lamps (http://antiquestreetlamps.acuitybrands.com/)
- Carandini (http://www.carandini.com/en/index.html)
- Gotham Lighting (http://gothamlighting.acuitybrands.com/)
- Healthcare Lighting (http://www.acuitybrands.com/brands/lighting/healthcare/lighting)
- Holophane (http://www.holophane.com/)
- Hydrel (http://hydrel.acuitybrands.com)
- Juno Lighting Group (http://www.junolightinggroup.com/)
- Lithonia Lighting (http://www.lithonia.com/)
- Mark Architectural Lighting (http://www.marklighting.com/Home.aspx)
- Peerless (http://www.peerlesslighting.com/Home.aspx)
- Winona Lighting (http://winonalighting.acuitybrands.com/)

CONTROLS

(HTTP://WWW.ACUIITYBRANDS.COM/BRANDS/CONTROLS)

- Acuity Controls (http://www.acuitycontrols.com)
- Distech Controls (http://www.distech-controls.com/en/us/)

COMPONENTS

(HTTP://WWW.ACUIITYBRANDS.COM/BRANDS/COMPONENTS)

- eldoLED (http://www.eldoled.com/)
- Power Sentry (http://www.powersentrysafety.com/)
- RELOC Wiring (http://www.acuitybrands.com/brands/components/reloc-wiring)
- Sunoptics (http://www.sunoptics.com/)

DAYLIGHTING

(HTTP://WWW.ACUIITYBRANDS.COM/BRANDS/DAYLIGHTING)

SOLUTIONS

INSPIRE ME

(HTTP://WWW.ACUIITYBRANDS.COM/INSPIREME)

- Energy Savings (http://www.acuitybrands.com/energy-savings)
- Innovation (http://www.acuitybrands.com/innovation)
- Integration (http://www.acuitybrands.com/integration)
- Quality (http://www.acuitybrands.com/quality)
- Photo Gallery (http://www.acuitybrands.com/photo-gallery)
- Case Studies (http://www.acuitybrands.com/case-studies)

FEATURED SPACES

(HTTP://WWW.ACUIITYBRANDS.COM/FEATUREDSPACES)

- COMMERCIAL OFFICE SPACES (http://www.acuitybrands.com/commercial-office-spaces)
- EDUCATION (http://www.acuitybrands.com/education)
- HEALTHCARE (http://www.acuitybrands.com/healthcare)
- INDUSTRIAL SPACES (http://www.acuitybrands.com/industrial-spaces)
- INFRASTRUCTURE (http://www.acuitybrands.com/infrastructure)
- RESIDENTIAL (http://www.acuitybrands.com/residential)
- RETAIL (http://www.acuitybrands.com/retail)

CAREERS

(HTTP://WWW.ACUIITYBRANDS.COM/CAREERS)

DESCRIPTION

4 inch LED recessed medium or wide beam wall wash specially designed for LED technology. Two-stage reflector system combined with gradient kicker, produces high levels of uniform vertical illumination on the wall with minimal source brightness. Lumen packages include 900, 1300, 1800 and 2800 lumens with color temperatures of 2700K, 3000K, 3500K, 4000K. Available with dim-to-warm technology – similar to halogen at full power, the 3000K LED warms smoothly as dimmed to 1850K creating a rich warm glow within the space.

SPECIFICATION FEATURES

Lower Wall Wash Reflector

Lower Wall Wash Reflector Spun .050" thick aluminum lower reflector with gradient kicker in combination with a lensed upper optical chamber provides superior lumen output, high level vertical illumination with minimal source brightness. Available in all Portfolio Alzak® finishes.

Trim Retention

Lower reflector is retained with two torsion springs holding the flange tightly to the finished ceiling surface.

Plaster Frame / Collar

New Construction Housing: Die cast aluminum 1-1/2" deep collar accommodates ceiling materials up to 2".

Universal Mounting Bracket

Accepts 1/2" EMT, C channel and bar hangers and adjusts 5" vertically from above and below the ceiling.

Junction Box

(4) 1/2" and (2) 3/4" trade size pry outs positioned to allow straight

conduit runs. Listed for (8) #12 AWG (four in, four out) 90°C conductors and feed thru branch wiring.

Thermal

Extruded aluminum heat sink conducts heat away from the LED module for optimal performance and long life.

LED

LED system contains a plurality of high brightness white LED's combined with a high reflectance upper reflector and convex transitional lens producing even distribution with no pixilation. Rated for 50,000 hours at 70% lumen maintenance. Auto resetting, thermally protected, LED's are turned off when safe operating temperatures are exceeded. Color variation within 3-step MacAdam ellipses. Flexible disconnect allows for tool-less replacement of LED engine from below ceiling. Available in 80 or 90 CRI.

D2W™ – dim-to-warm shifts CCT from 3000K to 1850K as fixture dims mimicking halogen sources.

Driver

Combination 120-277V 0-10V or 120V trailing edge phase cut driver provides flicker free dimming from 100% to 10%. Optional 1% 0-10V, Fifth Light, DMX or Lutron® Ecosystem. Driver can be serviced from above or through the aperture.

Code Compliance

Thermally protected and cULus listed for protected damp locations. Optional City of Chicago environmental air (CCEA) marking for plenum applications. EMI/RFI emissions per FCC 47CFR Part 18 Class B consumer limits. Non-IC rated - Insulation must be kept 3" from top and sides of housing. RoHS Compliant. Photometric testing completed in accordance with IES LM 79 standards. LED life testing completed in accordance with LM 80 standards.

Warranty

5-year warranty.

LD4A096DE010-ERM4A9030LIWF-HB26 ALR-03

ALOFT

Revision Date:

Kathleen Kenny, National Accounts,
678-447-5208, kathleenkenny@eaton.com

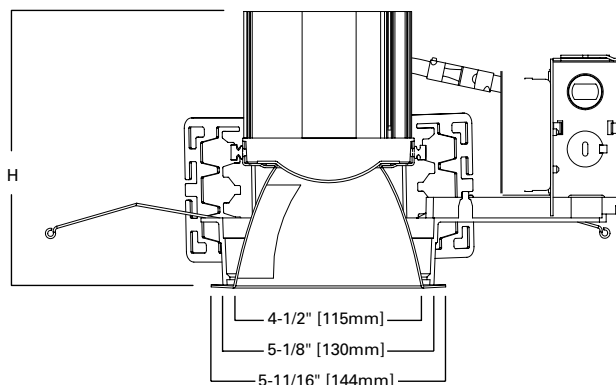


LD4A09 LD4A13 LD4A18 LD4A28

900, 1300 Lumen LED
1800, 2800 Lumen LED

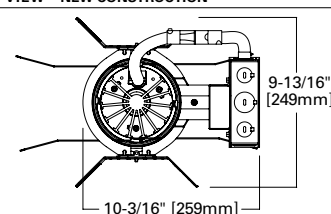
4-Inch
Medium or Wide Beam Wall Wash
New Construction

D2W™

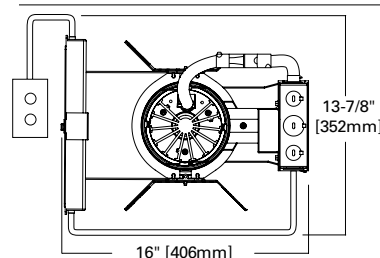


Distribution	Lumens	Height
Wide Beam Wall Wash	900/1300	5-3/16"
Medium Beam Wall Wash	900/1300	5-11/16"
Wide Beam Wall Wash	1800/2800	7-3/16"
Medium Beam Wall Wash	1800/2800	7-11/16"

TOP VIEW - NEW CONSTRUCTION



TOP VIEW - NEW CONSTRUCTION WITH BATTERY



Refer to ENERGY STAR® Qualified Products List.

powered by



ORDERING INFORMATION

EXAMPLE: LD4A13D010TE ERW4A13835 4LM111LI=4" LED Medium Beam Wall Wash, 1300 Lumen, 3,500 K Color with Universal 120 - 2

ALR-03
Revision Date:

Housing	Lumens ¹	Driver	Options ²	Power Module	Lumens	CRI	Color
LD4A=4" Aperture LD4ACP=4" Aperture, Chicago Plenum	09=900 Lumens 13=1300 Lumens 18=1800 Lumens 28=2800 Lumens	900, 1300, 1800 and 2800 Lumen D010TE=120-277V 0-10V 10% Dimming or Trailing Edge 120V Dimming D5LT=Fifth Light® (DALI) 0% Dimming DE010=0 to 100% Dimming, 120-277V 50/60Hz, 0-10V DL3=1 to 100% Dimming, 120-277V Lutron® Hi-Lume, Ecosystem or 3 Wire DLT=Hi-Lume Forward Phase 2-wire Dimming 120V DMX=DMX 0% Dimming 900, 1300 and 1800 Lumen D010TR=120-277V 0-10V 10% Dimming or Leading Edge 120V Dimming	EMBOD=7W Bodine® Emergency Module with Remote Test Switch EM7=7W Emergency Module with Remote Test Switch ³ EM14=14W Emergency Module with Remote Test Switch ³	ERM4A=4" Module for Medium Beam Reflector ERW4A=4" Module for Wide Beam Reflector 09=900 Lumen 13=1300 Lumen 18=1800 Lumen 28=2800 Lumen	09=900 Lumens 13=1300 Lumens 18=1800 Lumens 28=2800 Lumens	8=80 CRI 9=90 CRI	27=2700° K 30=3000° K 35=3500° K 40=4000° K 27CP=2700° K, Chicago Plenum 30CP=3000° K, Chicago plenum 35CP=3500° K, Chicago Plenum 40CP=4000° K, Chiago Plenum 30D2W= Dim to warm 3000° K to 1850° K (2000 lumen and below, 90 CRI)

Reflector	Finish	Options	Accessories
4LM111=4" Medium Reflector, Single Wall Wash, Self-flanged 4LM121=4" Medium Reflector, Double Wall Wash, Self-flanged 4LM110=4" Medium Reflector, Single Wall Wash, Polymer Trim Ring 4LM120=4" Medium Reflector, Double Wall Wash, Polymer Trim Ring	4LW111=4" Wide Reflector, Single Wall Wash, Self-flanged 4LW121=4" Wide Reflector, Double Wall Wash, Self-flanged 4LW110=4" Wide Reflector, Single Wall Wash, Polymer Trim Ring 4LW120=4" Wide Reflector, Double Wall Wash, Polymer Trim Ring	LI=Specular Clear H=Semi-Specular Clear WMH=Warm Haze G=Specular Gold WH=Wheat WHH=Wheat Haze GP=Graphite GPH=Graphite Haze B=Specular Black W=Gloss White	Self-flanged Only WF=White Painted Flange HB26=C-channel Bar Hanger, 26" Long, Pair HB50=C-channel Bar Hanger, 50" Long, Pair RMB22=Wood Joist Bar Hanger, 22" Long, Pair H347=347 to 120V Step Down Transformer, 75VA H347200=347 to 120V Step Down Transformer, 200VA PORLWTPD1=LumaWatt Pro Wireless Sensor Kit (0-10V only)

Notes: 1 Nominal Lumens will vary depending on selected color, driver and reflector finish.
2 Not available with Chicago Plenum.
3 Not CSA approved.

ENERGY

ENERGY DATA			
Sound Rating: Class A standards (Values at non-dimming line voltage)			
Minimum Starting Temperature: -30°C (-22°F)			
EMI/RFI: FCC Title 47 CFR, Part 15, Class B (Consumer)			
Input Voltage: UNV (120V - 277V)			
Power Factor: >0.90 (at nominal input 120-277 VAC & 100% of Rated Output Power)			
Input Frequency: 50/60Hz			
2800 Lumen D010TE		1800 Lumen D010TE	
Input Power: 43.4W	THD: <17%	Input Power: 31.5W	THD: <20%
120V Input Current: .36A	277V Input Current: .16A	120V Input Current: .27A	277V Input Current: .06A
1300 Lumen D010TE		900 Lumen D010TE	
Input Power: 22.4W	THD: <20%	Input Power: 14.1W	THD: <20%
120V Input Current: .12A	277V Input Current: .09A	120V Input Current: .12A	277V Input Current: .06A

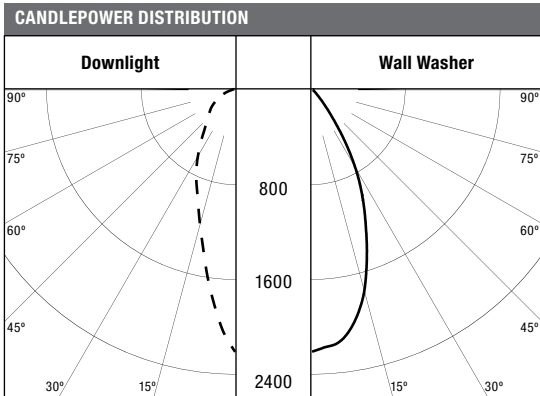
Lumens	120V		277V	
	Inrush (A)	Duration (ms)	Inrush (A)	Duration (ms)
900/1000	0.486	0.4	0.848	0.182
1300/1500	0.717	1.58	0.531	1.24
1800/2000	0.832	0.405	1.25	0.788
2800/3000	1.09	0.3	1.23	0.294

PHOTOMETRICS

ALR-03

Revision Date:

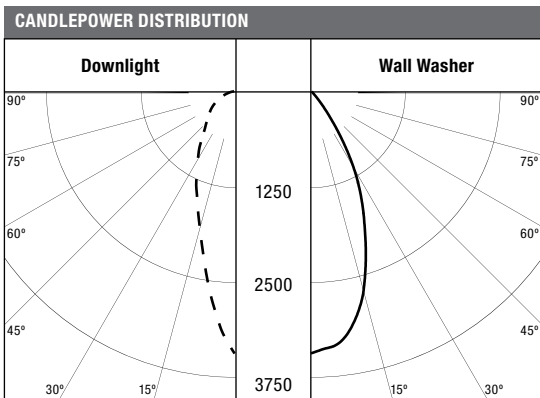
Test Number	P133922
Platform	LD4A13D010TE
Element	ERM4A13835 4LM111LI
Lumens	1583
Efficacy	70.0 Lm/W



LEGEND:
 0-deg: - - - - -
 90-deg: _____

SINGLE UNIT FOOTCANDLES				MULTIPLE UNIT FOOTCANDLES												
DD	3' FROM WALL (Distance From Fixture Along Wall)			2.5' FROM WALL (Spacing Between Fixtures)						3' FROM WALL (Spacing Between Fixtures)						
	●	1'	2'	3'	●	2'	●	●	3'	●	●	2'	●	●	3'	●
1'	7	5	3	1	18	19	18	15	13	15	9	10	9	8	8	8
2'	14	12	7	4	30	33	30	25	25	25	22	24	22	18	19	18
3'	13	12	8	4	25	28	25	21	23	21	21	23	21	18	20	18
4'	11	10	7	4	21	24	21	18	19	18	18	19	18	15	16	15
5'	9	8	6	4	17	19	17	14	16	14	15	17	15	13	15	13
6'	7	7	5	4	14	15	14	12	13	12	13	13	13	11	12	11
7'	6	5	5	3	10	11	10	9	10	9	10	11	10	9	10	9
8'	4	4	4	3	8	9	8	7	8	7	8	9	8	7	8	7
9'	4	3	3	3	6	7	6	6	6	6	7	7	7	6	7	6
10'	3	3	3	2	5	5	5	5	5	5	5	6	5	5	5	5

Test Number	P133954
Platform	LD4A18D010TE
Element	ERM4A18835 4LM111LI
Lumens	2478
Efficacy	75.5 Lm/W



LEGEND:
 0-deg: - - - - -
 90-deg: _____

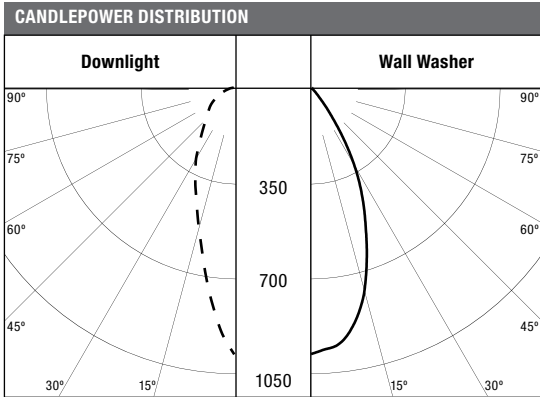
SINGLE UNIT FOOTCANDLES				MULTIPLE UNIT FOOTCANDLES												
DD	3' FROM WALL (Distance From Fixture Along Wall)			2.5' FROM WALL (Spacing Between Fixtures)						3' FROM WALL (Spacing Between Fixtures)						
	●	1'	2'	3'	●	2'	●	●	3'	●	●	2'	●	●	3'	●
1'	11	8	4	2	28	30	28	23	20	23	15	16	15	12	12	12
2'	22	19	12	6	47	52	47	39	39	39	34	37	34	28	30	28
3'	21	18	12	7	40	44	40	32	36	32	33	37	33	28	31	28
4'	17	15	11	6	33	37	33	27	30	27	28	30	28	23	26	23
5'	14	13	10	6	27	30	27	22	26	22	24	26	24	20	23	20
6'	12	11	8	6	21	23	21	18	21	18	20	21	20	17	19	17
7'	9	9	7	5	16	17	16	14	16	14	16	17	16	14	16	14
8'	7	7	6	5	13	13	13	12	13	12	13	13	13	12	13	12
9'	6	5	5	4	10	11	10	9	10	9	10	11	10	10	10	10
10'	5	4	4	3	8	8	8	8	8	8	8	9	8	8	8	8

PHOTOMETRICS

ALR-03

Revision Date:

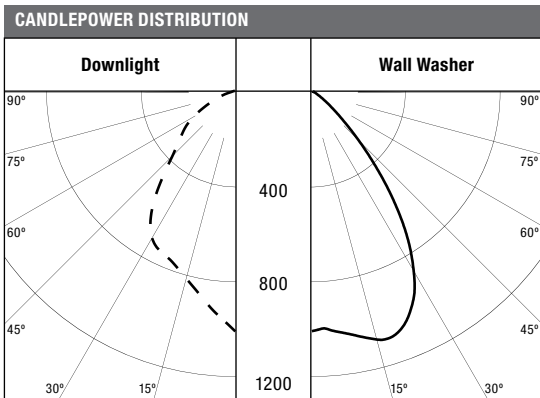
Test Number	P133978
Platform	LD4A28D010TE
Element	ERM4A28835 4LM111LI
Lumens	2911
Efficacy	64.1 Lm/W



LEGEND:
 0-deg: - - - - -
 90-deg: _____

SINGLE UNIT FOOTCANDLES					MULTIPLE UNIT FOOTCANDLES											
DD	3' FROM WALL (Distance From Fixture Along Wall)				2.5' FROM WALL (Spacing Between Fixtures)						3' FROM WALL (Spacing Between Fixtures)					
	●	1'	2'	3'	●	2'	●	●	3'	●	●	2'	●	●	3'	●
1'	13	10	5	2	32	36	32	27	24	27	17	19	17	14	14	14
2'	26	22	14	7	55	61	55	45	46	45	40	43	40	33	35	33
3'	25	22	15	8	46	52	46	38	42	38	39	43	39	33	36	33
4'	20	18	13	8	39	44	39	32	36	32	32	35	32	27	30	27
5'	17	15	11	7	32	35	32	26	30	26	28	31	28	24	27	24
6'	14	13	10	7	25	27	25	21	24	21	24	25	24	20	23	20
7'	11	10	8	6	19	20	19	17	19	17	19	20	19	17	19	17
8'	8	8	7	6	15	16	15	14	15	14	15	16	15	14	15	14
9'	7	6	6	5	12	12	12	11	12	11	12	13	12	11	12	11
10'	5	5	5	4	10	10	10	9	10	9	10	10	10	9	10	9

Test Number	P166414
Platform	LD4A13D010TE
Element	ERW4A13835 4LW111LI
Lumens	1613
Efficacy	71.4 Lm/W



LEGEND:
 0-deg: - - - - -
 90-deg: _____

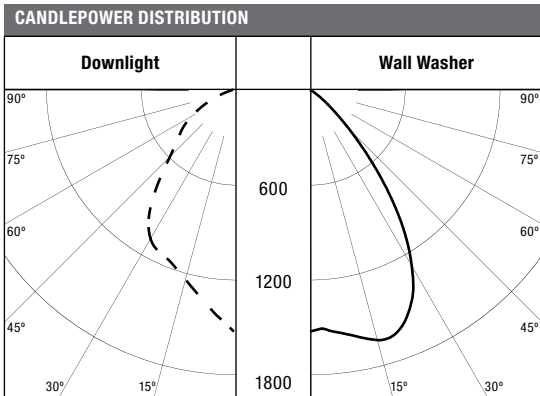
SINGLE UNIT FOOTCANDLES					MULTIPLE UNIT FOOTCANDLES											
DD	3' FROM WALL (Distance From Fixture Along Wall)				2.5' FROM WALL (Spacing Between Fixtures)						3' FROM WALL (Spacing Between Fixtures)					
	●	1'	2'	3'	●	2'	●	●	3'	●	●	2'	●	●	3'	●
1'	4	3	1	0	12	13	12	11	8	11	6	6	6	5	4	5
2'	15	12	7	3	31	36	31	25	27	25	22	25	22	18	20	18
3'	15	13	9	5	31	33	31	25	27	25	23	25	23	19	22	19
4'	14	12	8	5	26	29	26	21	25	21	22	24	22	19	21	19
5'	11	10	8	5	19	20	19	16	19	16	18	20	18	16	18	16
6'	7	7	6	5	13	14	13	12	13	12	14	14	14	12	14	12
7'	5	5	5	4	9	9	9	9	9	9	10	10	10	9	10	9
8'	4	4	4	3	7	7	7	6	7	6	7	7	7	7	7	7
9'	3	3	3	3	5	5	5	5	5	5	5	5	5	5	6	5
10'	2	2	2	2	4	4	4	4	4	4	4	4	4	4	4	4

PHOTOMETRICS

ALR-03

Revision Date:

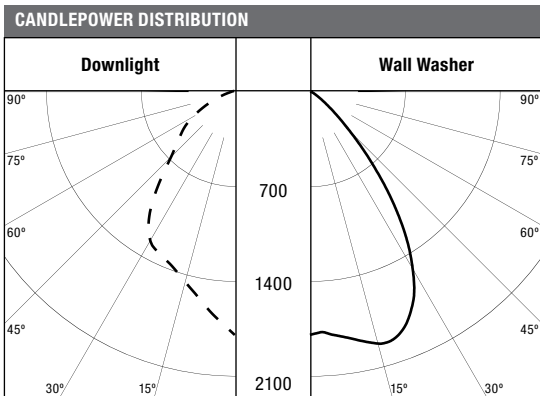
Test Number	P134650
Platform	LD4A18D010TE
Element	ERW4A18835 4LW111LI
Lumens	2437
Efficacy	74.3 Lm/W



LEGEND:
 0-deg: - - - - -
 90-deg: _____

SINGLE UNIT FOOTCANDLES					MULTIPLE UNIT FOOTCANDLES											
DD	3' FROM WALL (Distance From Fixture Along Wall)				2.5' FROM WALL (Spacing Between Fixtures)						3' FROM WALL (Spacing Between Fixtures)					
	●	1'	2'	3'	●	2'	●	●	3'	●	●	2'	●	●	3'	●
1'	7	4	2	1	18	19	18	16	12	16	9	9	9	7	6	7
2'	23	19	11	4	48	54	48	38	41	38	33	37	33	27	30	27
3'	22	19	13	7	46	50	46	38	40	38	35	38	35	29	33	29
4'	21	18	13	7	39	43	39	32	38	32	33	36	33	28	31	28
5'	16	15	12	8	29	30	29	24	29	24	28	30	28	24	27	24
6'	11	11	10	7	20	20	20	18	20	18	21	21	21	18	21	18
7'	8	8	7	6	14	14	14	13	14	13	15	15	15	14	15	14
8'	6	6	5	5	10	10	10	10	10	10	11	11	11	10	11	10
9'	4	4	4	4	7	8	7	7	8	7	8	8	8	8	8	8
10'	3	3	3	3	6	6	6	6	6	6	6	6	6	6	6	6

Test Number	P134674
Platform	LD4A28D010TE
Element	ERW4A28835 4LW111LI
Lumens	2881
Efficacy	63.5 Lm/W



LEGEND:
 0-deg: - - - - -
 90-deg: _____

SINGLE UNIT FOOTCANDLES					MULTIPLE UNIT FOOTCANDLES											
DD	3' FROM WALL (Distance From Fixture Along Wall)				2.5' FROM WALL (Spacing Between Fixtures)						3' FROM WALL (Spacing Between Fixtures)					
	●	1'	2'	3'	●	2'	●	●	3'	●	●	2'	●	●	3'	●
1'	8	5	2	1	22	23	22	19	14	19	10	11	10	9	7	9
2'	27	22	13	5	56	64	56	45	49	45	39	44	39	32	35	32
3'	26	22	16	9	55	60	55	45	48	45	41	45	41	34	39	34
4'	25	21	15	9	47	51	47	38	44	38	40	43	40	33	37	33
5'	19	17	14	9	34	36	34	28	34	28	33	35	33	28	32	28
6'	13	13	11	8	23	24	23	21	24	21	24	25	24	22	24	22
7'	9	9	9	7	16	17	16	15	17	15	18	18	18	16	18	16
8'	7	7	6	6	12	12	12	11	12	11	13	13	13	12	13	12
9'	5	5	5	5	9	9	9	9	9	9	10	10	10	9	10	9
10'	4	4	4	4	7	7	7	7	7	7	8	8	8	7	8	7

EM MULTIPLIER DATA

LUMENS	EM MULTIPLIER	
	7	14
900/1000	0.50	0.99
1300/1500	0.29	0.57
1800/2000	0.22	0.44
2800/3000	0.16	0.32

DESCRIPTION

4 inch LED recessed medium or wide beam wall wash specially designed for LED technology. Two-stage reflector system combined with gradient kicker, produces high levels of uniform vertical illumination on the wall with minimal source brightness. Lumen packages include 900, 1300, 1800 and 2800 lumens with color temperatures of 2700K, 3000K, 3500K, 4000K. Available with dim-to-warm technology – similar to halogen at full power, the 3000K LED warms smoothly as dimmed to 1850K creating a rich warm glow within the space.

SPECIFICATION FEATURES

Lower Wall Wash Reflector

Lower Wall Wash Reflector Spun .050" thick aluminum lower reflector with gradient kicker in combination with a lensed upper optical chamber provides superior lumen output, high level vertical illumination with minimal source brightness. Available in all Portfolio Alzak® finishes.

Trim Retention

Lower reflector is retained with two torsion springs holding the flange tightly to the finished ceiling surface.

Plaster Frame / Collar

New Construction Housing: Die cast aluminum 1-1/2" deep collar accommodates ceiling materials up to 2".

Universal Mounting Bracket

Accepts 1/2" EMT, C channel and bar hangers and adjusts 5" vertically from above and below the ceiling.

Junction Box

(4) 1/2" and (2) 3/4" trade size pry outs positioned to allow straight

conduit runs. Listed for (8) #12 AWG (four in, four out) 90°C conductors and feed thru branch wiring.

Thermal

Extruded aluminum heat sink conducts heat away from the LED module for optimal performance and long life.

LED

LED system contains a plurality of high brightness white LED's combined with a high reflectance upper reflector and convex transitional lens producing even distribution with no pixilation. Rated for 50,000 hours at 70% lumen maintenance. Auto resetting, thermally protected, LED's are turned off when safe operating temperatures are exceeded. Color variation within 3-step MacAdam ellipses. Flexible disconnect allows for tool-less replacement of LED engine from below ceiling. Available in 80 or 90 CRI.

D2W™ – dim-to-warm shifts CCT from 3000K to 1850K as fixture dims mimicking halogen sources.

Driver

Combination 120-277V 0-10V or 120V trailing edge phase cut driver provides flicker free dimming from 100% to 10%. Optional 1% 0-10V, Fifth Light, DMX or Lutron® Ecosystem. Driver can be serviced from above or through the aperture.

Code Compliance

Thermally protected and cULus listed for protected damp locations. Optional City of Chicago environmental air (CCEA) marking for plenum applications. EMI/RFI emissions per FCC 47CFR Part 18 Class B consumer limits. Non-IC rated - Insulation must be kept 3" from top and sides of housing. RoHS Compliant. Photometric testing completed in accordance with IES LM 79 standards. LED life testing completed in accordance with LM 80 standards.

Warranty

5-year warranty.

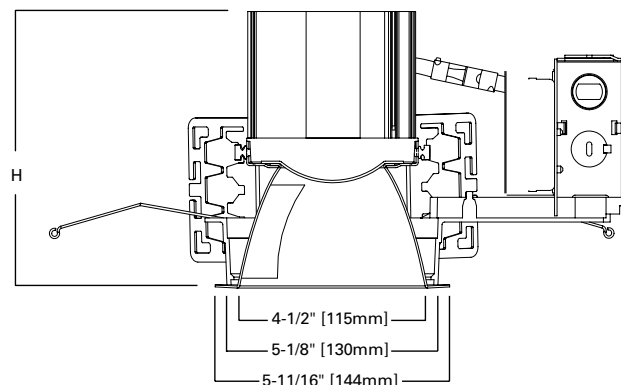


LD4A09 LD4A13 LD4A18 LD4A28

900, 1300 Lumen LED
1800, 2800 Lumen LED

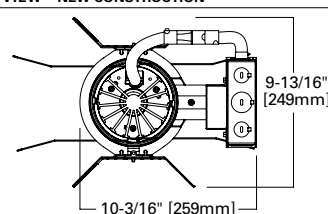
4-Inch
Medium or Wide Beam Wall Wash
New Construction

D2W™

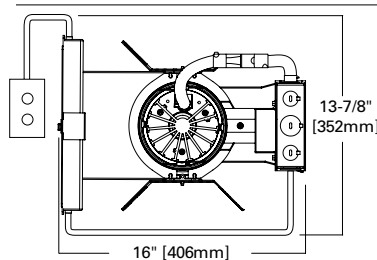


Distribution	Lumens	Height
Wide Beam Wall Wash	900/1300	5-3/16"
Medium Beam Wall Wash	900/1300	5-11/16"
Wide Beam Wall Wash	1800/2800	7-3/16"
Medium Beam Wall Wash	1800/2800	7-11/16"

TOP VIEW - NEW CONSTRUCTION



TOP VIEW - NEW CONSTRUCTION WITH BATTERY



Refer to ENERGY STAR® Qualified Products List.

ORDERING INFORMATION

EXAMPLE: LD4A13D010TE ERW4A13835 4LM111LI=4" LED Medium Beam Wall Wash, 1300 Lumen, 3,500 K Color with Universal 120 - 277V

ALR-05

Revision Date:

Housing	Lumens ¹	Driver	Options ²	Power Module	Lumens	CRI
LD4A=4" Aperture LD4ACP=4" Aperture, Chicago Plenum 09=900 Lumens 13=1300 Lumens 18=1800 Lumens 28=2800 Lumens	900, 1300, 1800 and 2800 Lumen D010TE=120-277V 0-10V 10% Dimming or Trailing Edge 120V Dimming D5LT=Fifth Light® (DALI) 0% Dimming DE010=0 to 100% Dimming, 120-277V 50/60Hz, 0-10V DL3=1 to 100% Dimming, 120-277V Lutron® Hi-Lume, Ecosystem or 3 Wire DLT=Hi-Lume Forward Phase 2-wire Dimming 120V DMX=DMX 0% Dimming 900, 1300 and 1800 Lumen D010TR=120-277V 0-10V 10% Dimming or Leading Edge 120V Dimming	EMBOD=7W Bodine® Emergency Module with Remote Test Switch EM7=7W Emergency Module with Remote Test Switch³ EM14=14W Emergency Module with Remote Test Switch³	ERM4A=4" Module for Medium Beam Reflector ERW4A=4" Module for Wide Beam Reflector 09=900 Lumen 13=1300 Lumen 18=1800 Lumen 28=2800 Lumen	8=80 CRI 9=90 CRI 27=2700° K 30=3000° K 35=3500° K 40=4000° K 27CP=2700° K, Chicago Plenum 30CP=3000° K, Chicago plenum 35CP=3500° K, Chicago Plenum 40CP=4000° K, Chiago Plenum 30D2W= Dim to warm 3000° K to 1850° K (2000 lumen and below, 90 CRI)		

Reflector	Finish	Options	Accessories
4LM111=4" Medium Reflector, Single Wall Wash, Self-flanged 4LM121=4" Medium Reflector, Double Wall Wash, Self-flanged 4LM110=4" Medium Reflector, Single Wall Wash, Polymer Trim Ring 4LM120=4" Medium Reflector, Double Wall Wash, Polymer Trim Ring	4LW111=4" Wide Reflector, Single Wall Wash, Self-flanged 4LW121=4" Wide Reflector, Double Wall Wash, Self-flanged 4LW110=4" Wide Reflector, Single Wall Wash, Polymer Trim Ring 4LW120=4" Wide Reflector, Double Wall Wash, Polymer Trim Ring	LI=Specular Clear H=Semi-Specular Clear WMH=Warm Haze G=Specular Gold WH=Wheat WHH=Wheat Haze GP=Graphite GPH=Graphite Haze B=Specular Black W=Gloss White	Self-flanged Only WF=White Painted Flange HB26=C-channel Bar Hanger, 26" Long, Pair HB50=C-channel Bar Hanger, 50" Long, Pair RMB22=Wood Joist Bar Hanger, 22" Long, Pair H347=347 to 120V Step Down Transformer, 75VA H347200=347 to 120V Step Down Transformer, 200VA PORLWTPD1=LumaWatt Pro Wireless Sensor Kit (0-10V only)

Notes: 1 Nominal Lumens will vary depending on selected color, driver and reflector finish.
 2 Not available with Chicago Plenum.
 3 Not CSA approved.

ENERGY

ENERGY DATA			
Sound Rating: Class A standards			
(Values at non-dimming line voltage)			
Minimum Starting Temperature: -30°C (-22°F)			
EMI/RFI: FCC Title 47 CFR, Part 15, Class B (Consumer)			
Input Voltage: UNV (120V - 277V)			
Power Factor: >0.90 (at nominal input 120-277 VAC & 100% of Rated Output Power)			
Input Frequency: 50/60Hz			
2800 Lumen D010TE		1800 Lumen D010TE	
Input Power: 43.4W	THD: <17%	Input Power: 31.5W	THD: <20%
120V Input Current: .36A	277V Input Current: .16A	120V Input Current: .27A	277V Input Current: .06A
1300 Lumen D010TE		900 Lumen D010TE	
Input Power: 22.4W	THD: <20%	Input Power: 14.1W	THD: <20%
120V Input Current: .12A	277V Input Current: .09A	120V Input Current: .12A	277V Input Current: .06A

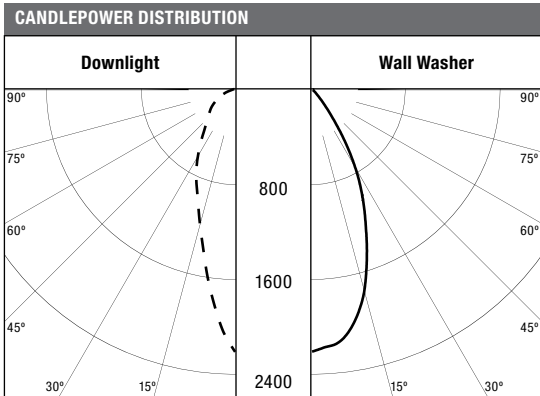
Lumens	120V		277V	
	Inrush (A)	Duration (ms)	Inrush (A)	Duration (ms)
900/1000	0.486	0.4	0.848	0.182
1300/1500	0.717	1.58	0.531	1.24
1800/2000	0.832	0.405	1.25	0.788
2800/3000	1.09	0.3	1.23	0.294

PHOTOMETRICS

ALR-05

Revision Date:

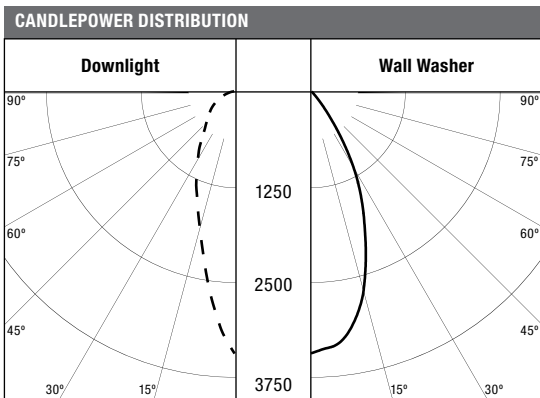
Test Number	P133922
Platform	LD4A13D010TE
Element	ERM4A13835 4LM111LI
Lumens	1583
Efficacy	70.0 Lm/W



LEGEND:
 0-deg: - - - - -
 90-deg: _____

SINGLE UNIT FOOTCANDLES				MULTIPLE UNIT FOOTCANDLES												
DD	3' FROM WALL (Distance From Fixture Along Wall)			2.5' FROM WALL (Spacing Between Fixtures)			3' FROM WALL (Spacing Between Fixtures)									
	●	1'	2'	3'	●	2'	●	3'	●	●	2'	●	3'	●		
1'	7	5	3	1	18	19	18	15	13	15	9	10	9	8	8	8
2'	14	12	7	4	30	33	30	25	25	25	22	24	22	18	19	18
3'	13	12	8	4	25	28	25	21	23	21	21	23	21	18	20	18
4'	11	10	7	4	21	24	21	18	19	18	18	19	18	15	16	15
5'	9	8	6	4	17	19	17	14	16	14	15	17	15	13	15	13
6'	7	7	5	4	14	15	14	12	13	12	13	13	13	11	12	11
7'	6	5	5	3	10	11	10	9	10	9	10	11	10	9	10	9
8'	4	4	4	3	8	9	8	7	8	7	8	9	8	7	8	7
9'	4	3	3	3	6	7	6	6	6	6	7	7	7	6	7	6
10'	3	3	3	2	5	5	5	5	5	5	5	6	5	5	5	5

Test Number	P133954
Platform	LD4A18D010TE
Element	ERM4A18835 4LM111LI
Lumens	2478
Efficacy	75.5 Lm/W



LEGEND:
 0-deg: - - - - -
 90-deg: _____

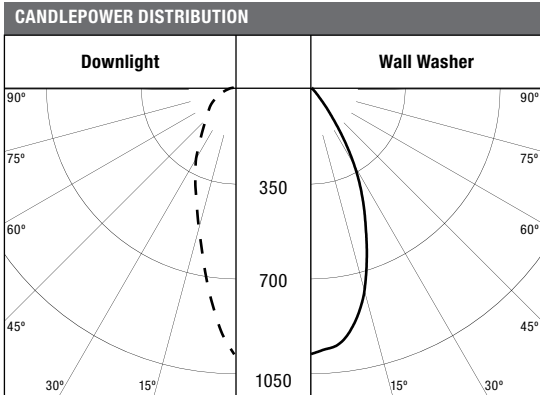
SINGLE UNIT FOOTCANDLES				MULTIPLE UNIT FOOTCANDLES												
DD	3' FROM WALL (Distance From Fixture Along Wall)			2.5' FROM WALL (Spacing Between Fixtures)			3' FROM WALL (Spacing Between Fixtures)									
	●	1'	2'	3'	●	2'	●	3'	●	●	2'	●	3'	●		
1'	11	8	4	2	28	30	28	23	20	23	15	16	15	12	12	12
2'	22	19	12	6	47	52	47	39	39	39	34	37	34	28	30	28
3'	21	18	12	7	40	44	40	32	36	32	33	37	33	28	31	28
4'	17	15	11	6	33	37	33	27	30	27	28	30	28	23	26	23
5'	14	13	10	6	27	30	27	22	26	22	24	26	24	20	23	20
6'	12	11	8	6	21	23	21	18	21	18	20	21	20	17	19	17
7'	9	9	7	5	16	17	16	14	16	14	16	17	16	14	16	14
8'	7	7	6	5	13	13	13	12	13	12	13	13	13	12	13	12
9'	6	5	5	4	10	11	10	9	10	9	10	11	10	10	10	10
10'	5	4	4	3	8	8	8	8	8	8	8	9	8	8	8	8

PHOTOMETRICS

ALR-05

Revision Date:

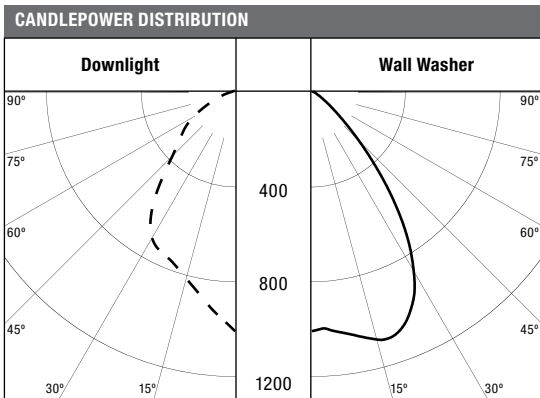
Test Number	P133978
Platform	LD4A28D010TE
Element	ERM4A28835 4LM111LI
Lumens	2911
Efficacy	64.1 Lm/W



LEGEND:
 0-deg: - - - - -
 90-deg: _____

SINGLE UNIT FOOTCANDLES					MULTIPLE UNIT FOOTCANDLES											
DD	3' FROM WALL (Distance From Fixture Along Wall)				2.5' FROM WALL (Spacing Between Fixtures)						3' FROM WALL (Spacing Between Fixtures)					
	●	1'	2'	3'	●	2'	●	●	3'	●	●	2'	●	●	3'	●
1'	13	10	5	2	32	36	32	27	24	27	17	19	17	14	14	14
2'	26	22	14	7	55	61	55	45	46	45	40	43	40	33	35	33
3'	25	22	15	8	46	52	46	38	42	38	39	43	39	33	36	33
4'	20	18	13	8	39	44	39	32	36	32	32	35	32	27	30	27
5'	17	15	11	7	32	35	32	26	30	26	28	31	28	24	27	24
6'	14	13	10	7	25	27	25	21	24	21	24	25	24	20	23	20
7'	11	10	8	6	19	20	19	17	19	17	19	20	19	17	19	17
8'	8	8	7	6	15	16	15	14	15	14	15	16	15	14	15	14
9'	7	6	6	5	12	12	12	11	12	11	12	13	12	11	12	11
10'	5	5	5	4	10	10	10	9	10	9	10	10	10	9	10	9

Test Number	P166414
Platform	LD4A13D010TE
Element	ERW4A13835 4LW111LI
Lumens	1613
Efficacy	71.4 Lm/W



LEGEND:
 0-deg: - - - - -
 90-deg: _____

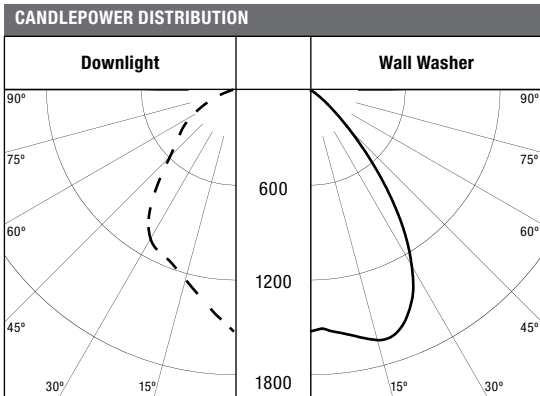
SINGLE UNIT FOOTCANDLES					MULTIPLE UNIT FOOTCANDLES											
DD	3' FROM WALL (Distance From Fixture Along Wall)				2.5' FROM WALL (Spacing Between Fixtures)						3' FROM WALL (Spacing Between Fixtures)					
	●	1'	2'	3'	●	2'	●	●	3'	●	●	2'	●	●	3'	●
1'	4	3	1	0	12	13	12	11	8	11	6	6	6	5	4	5
2'	15	12	7	3	31	36	31	25	27	25	22	25	22	18	20	18
3'	15	13	9	5	31	33	31	25	27	25	23	25	23	19	22	19
4'	14	12	8	5	26	29	26	21	25	21	22	24	22	19	21	19
5'	11	10	8	5	19	20	19	16	19	16	18	20	18	16	18	16
6'	7	7	6	5	13	14	13	12	13	12	14	14	14	12	14	12
7'	5	5	5	4	9	9	9	9	9	9	10	10	10	9	10	9
8'	4	4	4	3	7	7	7	6	7	6	7	7	7	7	7	7
9'	3	3	3	3	5	5	5	5	5	5	5	5	5	5	6	5
10'	2	2	2	2	4	4	4	4	4	4	4	4	4	4	4	4

PHOTOMETRICS

ALR-05

Revision Date:

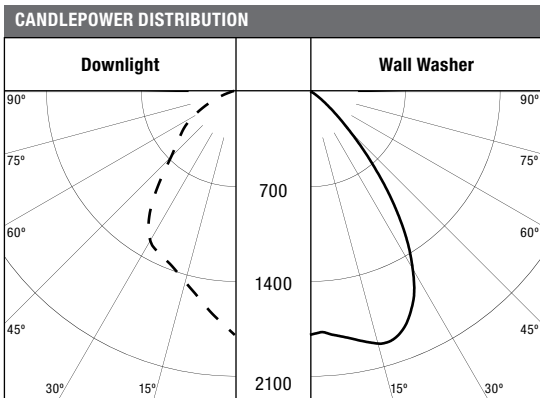
Test Number	P134650
Platform	LD4A18D010TE
Element	ERW4A18835 4LW111LI
Lumens	2437
Efficacy	74.3 Lm/W



LEGEND:
 0-deg: - - - - -
 90-deg: _____

SINGLE UNIT FOOTCANDLES					MULTIPLE UNIT FOOTCANDLES											
DD	3' FROM WALL (Distance From Fixture Along Wall)				2.5' FROM WALL (Spacing Between Fixtures)						3' FROM WALL (Spacing Between Fixtures)					
	●	1'	2'	3'	●	2'	●	●	3'	●	●	2'	●	●	3'	●
1'	7	4	2	1	18	19	18	16	12	16	9	9	9	7	6	7
2'	23	19	11	4	48	54	48	38	41	38	33	37	33	27	30	27
3'	22	19	13	7	46	50	46	38	40	38	35	38	35	29	33	29
4'	21	18	13	7	39	43	39	32	38	32	33	36	33	28	31	28
5'	16	15	12	8	29	30	29	24	29	24	28	30	28	24	27	24
6'	11	11	10	7	20	20	20	18	20	18	21	21	21	18	21	18
7'	8	8	7	6	14	14	14	13	14	13	15	15	15	14	15	14
8'	6	6	5	5	10	10	10	10	10	10	11	11	11	10	11	10
9'	4	4	4	4	7	8	7	7	8	7	8	8	8	8	8	8
10'	3	3	3	3	6	6	6	6	6	6	6	6	6	6	6	6

Test Number	P134674
Platform	LD4A28D010TE
Element	ERW4A28835 4LW111LI
Lumens	2881
Efficacy	63.5 Lm/W



LEGEND:
 0-deg: - - - - -
 90-deg: _____

SINGLE UNIT FOOTCANDLES					MULTIPLE UNIT FOOTCANDLES											
DD	3' FROM WALL (Distance From Fixture Along Wall)				2.5' FROM WALL (Spacing Between Fixtures)						3' FROM WALL (Spacing Between Fixtures)					
	●	1'	2'	3'	●	2'	●	●	3'	●	●	2'	●	●	3'	●
1'	8	5	2	1	22	23	22	19	14	19	10	11	10	9	7	9
2'	27	22	13	5	56	64	56	45	49	45	39	44	39	32	35	32
3'	26	22	16	9	55	60	55	45	48	45	41	45	41	34	39	34
4'	25	21	15	9	47	51	47	38	44	38	40	43	40	33	37	33
5'	19	17	14	9	34	36	34	28	34	28	33	35	33	28	32	28
6'	13	13	11	8	23	24	23	21	24	21	24	25	24	22	24	22
7'	9	9	9	7	16	17	16	15	17	15	18	18	18	16	18	16
8'	7	7	6	6	12	12	12	11	12	11	13	13	13	12	13	12
9'	5	5	5	5	9	9	9	9	9	9	10	10	10	9	10	9
10'	4	4	4	4	7	7	7	7	7	7	8	8	8	7	8	7

EM MULTIPLIER DATA

LUMENS	EM MULTIPLIER	
	7	14
900/1000	0.50	0.99
1300/1500	0.29	0.57
1800/2000	0.22	0.44
2800/3000	0.16	0.32

DESCRIPTION

The Prevail™ LED pole and fixture combination makes selection and installation of poles and fixtures simple. Included is the die-cast Prevail area, site and roadway luminaire with standard mounting arm, square straight steel pole, anchor bolts, base cover, template and hardware. Stock configurations are available in single and dual fixture combinations. The Prevail luminaire delivers a new level of versatility and value in patent pending, architectural design that delivers energy savings greater than 62% and replaces 150-450W metal halide fixtures. The Prevail fixture and pole combo is ideal for general area/site lighting applications.

PFPRV-1-A60-T3-25
PFPRV-1-A60-T3-25-MSP/DIM-L30

Alot

Kathleen Kenny, National Accounts,
678-447-5208, kathleenkenny@eaton.com

SPECIFICATION FEATURES

Construction

Construction is comprised of a heavy-duty, single-piece die-cast aluminum housing in dark bronze polyester powder paint. The die-cast aluminum door is tethered to provide easy access to the driver if replacement is required. The optics is mounted on a versatile, aluminum plate that dissipates heat from the LEDs resulting in longer life of the fixture. The fixture is IP66 and 3G vibration rated (ANSI C136.31).

Optics

Available in Type III and IV distributions with lumen packages ranging from 6,173 to 18,992 nominal lumens. Light engine configurations consist of 1 or 2 high-efficacy LEDs mounted to metal-core circuit boards to maximize heat dissipation and promote long life (up to L92/60,000 hours at 25°C) per IESNA TM-21. For the ultimate level of spill light control, an optional house side shield accessory can be field or factory installed.

Electrical

Available in 120-277V 50/60Hz. 10kV/10kA surge protection standard. 0-10V dimming driver is standard with leads external to the fixture to accommodate controls capability such as dimming and occupancy. Suitable for ambient temperatures from -40°C to 40°C.

Controls

An integrated dimming and occupancy sensor is available in bi-level dimming (MSP/DIM) operation.

Mounting

The versatile, patent pending, standard mount arm accommodates multiple drill patterns ranging from 1-1/2" to 4-7/8". Removal of the door on the standard mounting arm enables wiring of the fixture without having to access the driver compartment. A knock-out on the standard mounting arm enables round pole mounting.

Pole

Shaft is one-piece construction ASTM A500 grade "B" steel, shot blasted and finished in dark bronze polyester powder coat. Anchor base is fabricated from ASTM grade steel. ASTM A366 steel full base cover is provided to enclose base plate and anchor bolts. Anchor bolts are per ASTM A576 with two nuts, two flat washers, and one lock washer. Hardware and threaded portion of bolt are hot dip galvanized. 3" hook for 3/4" bolt. 4" hook for 1" bolt.

Finish

Housing and cast parts finished in five-stage super TGIC polyester bronze powder coat paint, 2.5 mil nominal thickness for superior protection against fade and wear.

Warranty

Five-year warranty.

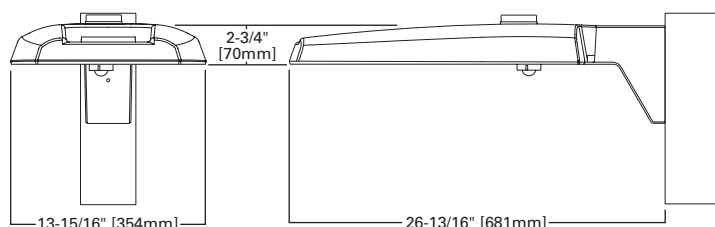


PFPRV PREVAIL POLE AND FIXTURE COMBO

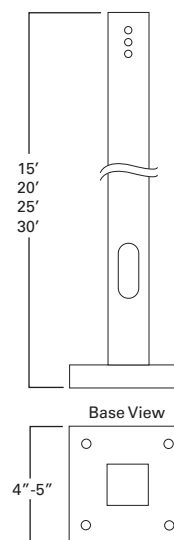
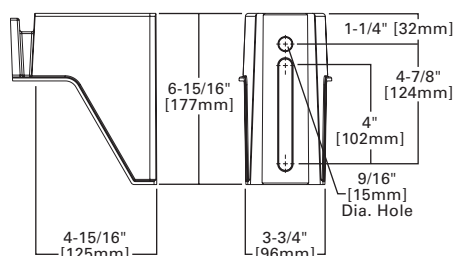
LED

POLE AND FIXTURE COMBO

DIMENSIONS



POLE MOUNT ARM



CERTIFICATION DATA

UL and cUL Wet Location Listed
IP66-Rated
3G Vibration Rated
ISO 9001
DesignLights Consortium™ Qualified*

ENERGY DATA

Electronic LED Driver
0.9 Power Factor
<20% Total Harmonic Distortion
120-277V/50 and 60Hz,
347V/60Hz, 480V/60Hz
-40°C Minimum Temperature Rating
+40°C Ambient Temperature Rating

EPA

Effective Projected Area (Sq. Ft.): 0.75
(1 fixture)

SHIPPING DATA

Approximate Net Weight:
20lbs. [9.09 kgs.] (1 fixture)

ALY-01
Revision Date:

ORDERING INFORMATION

Sample Number: PFPRV-1-A25-T3-15-N/AB

Series ^{1, 2, 3}	Number of Fixtures	Light Engine	Distribution	Pole Height	Maximum Wind Zone (MPH)	Options (Add as Suffix)	Accessories (Order Separately)
PFPRV=Prevail Pole and Fixture Combo	1=1 2=2 3=3 4=4	A15=(1 LED) 6,100 Nominal Lumens A25=(2 LED) 10,200 Nominal Lumens A40=(2 LED) 15,100 Nominal Lumens A60=(2 LED) 18,900 Nominal Lumens	T3=Type III T4=Type IV	15=15' 20=20' 25=25' 30=30'	Blank=80 9=90 0=100	N/AB=No Anchor Bolts (Used when ordered separately) HSS=House Side Shield MSP/DIM-L12=Integrated Sensor for Dimming Operation, 8' - 12' Mounting Height MSP/DIM-L30=Integrated Sensor for Dimming Operation, 12' - 30' Mounting Height PER=NEMA 3PIN Twistlock Photocontrol Receptacle ⁴ PER7=NEMA 7PIN Twistlock Photocontrol Receptacle ⁴	HS/VERD=House Side Shield

NOTES: 1 4000K CCT, standard bronze, 120-277V, 0-10V dimming. 2 Standard mount arm included with fixture. Supplied with straight steel shaft, anchor bolts, template, base cover and hardware. 3 DesignLights Consortium™ Qualified and classified for DLC standard, refer to www.designlights.org for details. 4 Not available with MSP options.

POWER AND LUMENS

Light Engine	A15	A25	A40	A60	
Nominal Power (Watts)	57W	87W	143W	163W	
Input Current @ 120V (A)	0.49	0.76	1.23	1.34	
Input Current @ 277V (A)	0.22	0.35	0.54	0.60	
Input Current @ 347V (A)	0.18	0.28	0.45	0.49	
Input Current @ 480V (A)	0.13	0.21	0.33	0.35	
Type II	Lumens	6,139	10,204	15,073	18,830
	BUG Rating	B1-U0-G1	B2-U0-G2	B3-U0-G3	B3-U0-G3
Type III	Lumens	6,192	10,292	15,203	18,992
	BUG Rating	B1-U0-G2	B2-U0-G3	B2-U0-G3	B3-U0-G4
Type IV	Lumens	6,173	10,261	15,157	18,935
	BUG Rating	B1-U0-G3	B2-U0-G3	B2-U0-G4	B2-U0-G5
Type V	Lumens	6,393	10,627	15,697	19,610
	BUG Rating	B3-U0-G3	B4-U0-G3	B4-U0-G4	B5-U0-G4

NOTE: Lumen output for standard bronze fixture color. Different housing colors impact lumen output. IES files for the non-standard colors are available upon request.

LUMEN MAINTENANCE

Ambient Temperature	25,000 Hours*	50,000 Hours*	60,000 Hours*	Theoretical 100,000 Hours	Theoretical L70 (Hours)*
25°C	> 96%	> 93%	> 92%	> 87%	> 260,000
40°C	> 96%	> 93%	> 92%	> 87%	> 255,000
50°C	> 95%	> 92%	> 91%	> 86%	> 250,000

* Per IESNA TM-21 data.

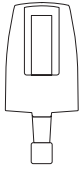
LUMEN MULTIPLIER

Ambient Temperature	Lumen Multiplier
10°C	1.02
15°C	1.01
25°C	1.00
40°C	0.99

ALY-01

Revision Date:

ONE FIXTURE CONFIGURATION
(30FT CONFIGURATIONS WITH 80, 90 AND 100MPH WIND ZONES USE A 5" POLE)



EPA=0.75
 T3=18,992
 T4=18,935

Mounting Height (Feet)	Lumens (Nominal)	Distribution	Maximum Wind Zone (MPH)			HID Equivalent (Wattage)
			80	90	100	
15'	6,192	Type III	PFPRV-1-A15-T3-15 ²	PFPRV-1-A15-T3-15-9 ²	PFPRV-1-A15-T3-15-0 ²	150W
	6,173	Type IV	PFPRV-1-A15-T4-15 ²	PFPRV-1-A15-T4-15-9 ²	PFPRV-1-A15-T4-15-0 ²	150W
	10,292	Type III	PFPRV-1-A25-T3-15 ²	PFPRV-1-A25-T3-15-9 ²	PFPRV-1-A25-T3-15-0 ²	250W
	10,261	Type IV	PFPRV-1-A25-T4-15 ²	PFPRV-1-A25-T4-15-9 ²	PFPRV-1-A25-T4-15-0 ²	250W
	15,203	Type III	PFPRV-1-A40-T3-15 ²	PFPRV-1-A40-T3-15-9 ²	PFPRV-1-A40-T3-15-0 ²	400W
	15,157	Type IV	PFPRV-1-A40-T4-15 ²	PFPRV-1-A40-T4-15-9 ²	PFPRV-1-A40-T4-15-0 ²	400W
	18,992	Type III	PFPRV-1-A60-T3-15 ²	PFPRV-1-A60-T3-15-9 ²	PFPRV-1-A60-T3-15-0 ²	450W
18,935	Type IV	PFPRV-1-A60-T4-15 ²	PFPRV-1-A60-T4-15-9 ²	PFPRV-1-A60-T4-15-0 ²	450W	
20'	6,192	Type III	PFPRV-1-A15-T3-20 ²	PFPRV-1-A15-T3-20-9 ²	PFPRV-1-A15-T3-20-0 ²	150W
	6,173	Type IV	PFPRV-1-A15-T4-20 ²	PFPRV-1-A15-T4-20-9 ²	PFPRV-1-A15-T4-20-0 ²	150W
	10,292	Type III	PFPRV-1-A25-T3-20 ²	PFPRV-1-A25-T3-20-9 ²	PFPRV-1-A25-T3-20-0 ²	250W
	10,261	Type IV	PFPRV-1-A25-T4-20 ²	PFPRV-1-A25-T4-20-9 ²	PFPRV-1-A25-T4-20-0 ²	250W
	15,203	Type III	PFPRV-1-A40-T3-20 ²	PFPRV-1-A40-T3-20-9 ²	PFPRV-1-A40-T3-20-0 ²	400W
	15,157	Type IV	PFPRV-1-A40-T4-20 ²	PFPRV-1-A40-T4-25-9 ²	PFPRV-1-A40-T4-20-0 ²	400W
	18,992	Type III	PFPRV-1-A60-T3-20 ²	PFPRV-1-A60-T3-20-9 ²	PFPRV-1-A60-T3-20-0 ²	450W
18,935	Type IV	PFPRV-1-A60-T4-20 ²	PFPRV-1-A60-T4-20-9 ²	PFPRV-1-A60-T4-20-0 ²	450W	
25'	6,192	Type III	PFPRV-1-A15-T3-25 ²	PFPRV-1-A15-T3-25-9 ²	PFPRV-1-A15-T3-25-0 ²	150W
	6,173	Type IV	PFPRV-1-A15-T4-25 ²	PFPRV-1-A15-T4-25-9 ²	PFPRV-1-A15-T4-25-0 ²	150W
	10,292	Type III	PFPRV-1-A25-T3-25 ²	PFPRV-1-A25-T3-25-9 ²	PFPRV-1-A25-T3-25-0 ²	250W
	10,261	Type IV	PFPRV-1-A25-T4-25 ²	PFPRV-1-A25-T4-25-9 ²	PFPRV-1-A25-T4-25-0 ²	250W
	15,203	Type III	PFPRV-1-A40-T3-25 ²	PFPRV-1-A40-T3-25-9 ²	PFPRV-1-A40-T3-25-0 ²	400W
	15,157	Type IV	PFPRV-1-A40-T4-25 ²	PFPRV-1-A40-T4-25-9 ²	PFPRV-1-A40-T4-25-0 ²	400W
	18,992	Type III	PFPRV-1-A60-T3-25 ²	PFPRV-1-A60-T3-25-9 ²	PFPRV-1-A60-T3-25-0 ²	450W
18,935	Type IV	PFPRV-1-A60-T4-25 ²	PFPRV-1-A60-T4-25-9 ²	PFPRV-1-A60-T4-25-0 ²	450W	
30'	6,192	Type III	PFPRV-1-A15-T3-30 ³	PFPRV-1-A15-T3-30-9 ³	PFPRV-1-A15-T3-30-0 ⁴	150W
	6,173	Type IV	PFPRV-1-A15-T4-30 ³	PFPRV-1-A15-T4-30-9 ³	PFPRV-1-A15-T4-30-0 ⁴	150W
	10,292	Type III	PFPRV-1-A25-T3-30 ³	PFPRV-1-A25-T3-30-9 ³	PFPRV-1-A25-T3-30-0 ⁴	250W
	10,261	Type IV	PFPRV-1-A25-T4-30 ³	PFPRV-1-A25-T4-30-9 ³	PFPRV-1-A25-T4-30-0 ⁴	250W
	15,203	Type III	PFPRV-1-A40-T3-30 ³	PFPRV-1-A40-T3-30-9 ³	PFPRV-1-A40-T3-30-0 ⁴	400W
	15,157	Type IV	PFPRV-1-A40-T4-30 ³	PFPRV-1-A40-T4-30-9 ³	PFPRV-1-A40-T4-30-0 ⁴	400W
	18,992	Type III	PFPRV-1-A60-T3-30 ³	PFPRV-1-A60-T3-30-9 ³	PFPRV-1-A60-T3-30-0 ⁴	450W
18,935	Type IV	PFPRV-1-A60-T4-30 ³	PFPRV-1-A60-T4-30-9 ³	PFPRV-1-A60-T4-30-0 ⁴	450W	

NOTES:

- Customer is responsible for engineering analysis to confirm pole and fixture compatibility for all applications. Refer to installation instructions IB500002EN and pole white paper WP513001EN for additional support information.
- Supplied with 4A Square Straight Steel Shaft (SSS), Anchor Bolts (AB1), Template (TMP1), hardware and base cover. 15' combo SS4A15SFM4, 20' combo SS4A20SFM4, and 25' combo SS4A25SFM4.
- Supplied with 5A Square Straight Steel Shaft (SSS), Anchor Bolts (AB1), Template (TMP1), hardware and base cover. 30' combo SS5A30SFM4.
- Supplied with 5M Square Straight Steel Shaft (SSS), Anchor Bolts (AB1), Template (TMP1), hardware and base cover. 30' combo SS5M30SFM4.
- Refer to In Stock Guide for stocked configurations and availability.

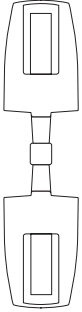
ALY-01

TWO FIXTURE CONFIGURATION

(30FT CONFIGURATIONS WITH 80, 90, 100MPH WIND ZONES AND 25FT CONFIGURATIONS WITH 100MPH WIND

Revision Date:

Mounting Height (Feet)	Lumens (Nominal)	Distribution	Maximum Wind Zone (MPH)			HID Equivalent (Wattage)
			80	90	100	
15'	6,192	Type III	PFPRV-2-A15-T3-15 ²	PFPRV-2-A15-T3-15-9 ²	PFPRV-2-A15-T3-15-0 ²	150W
	6,173	Type IV	PFPRV-2-A15-T4-15 ²	PFPRV-2-A15-T4-15-9 ²	PFPRV-2-A15-T4-15-0 ²	150W
	10,292	Type III	PFPRV-2-A25-T3-15 ²	PFPRV-2-A25-T3-15-9 ²	PFPRV-2-A25-T3-15-0 ²	250W
	10,261	Type IV	PFPRV-2-A25-T4-15 ²	PFPRV-2-A25-T4-15-9 ²	PFPRV-2-A25-T4-15-0 ²	250W
	15,203	Type III	PFPRV-2-A40-T3-15 ²	PFPRV-2-A40-T3-15-9 ²	PFPRV-2-A40-T3-15-0 ²	400W
	15,157	Type IV	PFPRV-2-A40-T4-15 ²	PFPRV-2-A40-T4-15-9 ²	PFPRV-2-A40-T4-15-0 ²	400W
	18,992	Type III	PFPRV-2-A60-T3-15 ²	PFPRV-2-A60-T3-15-9 ²	PFPRV-2-A60-T3-15-0 ²	450W
20'	18,935	Type IV	PFPRV-2-A60-T4-15 ²	PFPRV-2-A60-T4-15-9 ²	PFPRV-2-A60-T4-15-0 ²	450W
	6,192	Type III	PFPRV-2-A15-T3-20 ²	PFPRV-2-A15-T3-20-9 ²	PFPRV-2-A15-T3-20-0 ²	150W
	6,173	Type IV	PFPRV-2-A15-T4-20 ²	PFPRV-2-A15-T4-20-9 ²	PFPRV-2-A15-T4-20-0 ²	150W
	10,292	Type III	PFPRV-2-A25-T3-20 ²	PFPRV-2-A25-T3-20-9 ²	PFPRV-2-A25-T3-20-0 ²	250W
	10,261	Type IV	PFPRV-2-A25-T4-20 ²	PFPRV-2-A25-T4-20-9 ²	PFPRV-2-A25-T4-20-0 ²	250W
	15,203	Type III	PFPRV-2-A40-T3-20 ²	PFPRV-2-A40-T3-20-9 ²	PFPRV-2-A40-T3-20-0 ²	400W
	15,157	Type IV	PFPRV-2-A40-T4-20 ²	PFPRV-2-A40-T4-25-9 ²	PFPRV-2-A40-T4-20-0 ²	400W
25'	18,992	Type III	PFPRV-2-A60-T3-20 ²	PFPRV-2-A60-T3-20-9 ²	PFPRV-2-A60-T3-20-0 ²	450W
	18,935	Type IV	PFPRV-2-A60-T4-20 ²	PFPRV-2-A60-T4-20-9 ²	PFPRV-2-A60-T4-20-0 ²	450W
	6,192	Type III	PFPRV-2-A15-T3-25 ²	PFPRV-2-A15-T3-25-9 ²	PFPRV-2-A15-T3-25-0 ³	150W
	6,173	Type IV	PFPRV-2-A15-T4-25 ²	PFPRV-2-A15-T4-25-9 ²	PFPRV-2-A15-T4-25-0 ³	150W
	10,292	Type III	PFPRV-2-A25-T3-25 ²	PFPRV-2-A25-T3-25-9 ²	PFPRV-2-A25-T3-25-0 ³	250W
	10,261	Type IV	PFPRV-2-A25-T4-25 ²	PFPRV-2-A25-T4-25-9 ²	PFPRV-2-A25-T4-25-0 ³	250W
	15,203	Type III	PFPRV-2-A40-T3-25 ²	PFPRV-2-A40-T3-25-9 ²	PFPRV-2-A40-T3-25-0 ³	400W
30'	15,157	Type IV	PFPRV-2-A40-T4-25 ²	PFPRV-2-A40-T4-25-9 ²	PFPRV-2-A40-T4-25-0 ³	400W
	18,992	Type III	PFPRV-2-A60-T3-25 ²	PFPRV-2-A60-T3-25-9 ²	PFPRV-2-A60-T3-25-0 ³	450W
	18,935	Type IV	PFPRV-2-A60-T4-25 ²	PFPRV-2-A60-T4-25-9 ²	PFPRV-2-A60-T4-25-0 ³	450W
	6,192	Type III	PFPRV-2-A15-T3-30 ³	PFPRV-2-A15-T3-30-9 ³	PFPRV-2-A15-T3-30-0 ⁴	150W
	6,173	Type IV	PFPRV-2-A15-T4-30 ³	PFPRV-2-A15-T4-30-9 ³	PFPRV-2-A15-T4-30-0 ⁴	150W
	10,292	Type III	PFPRV-2-A25-T3-30 ³	PFPRV-2-A25-T3-30-9 ³	PFPRV-2-A25-T3-30-0 ⁴	250W
	10,261	Type IV	PFPRV-2-A25-T4-30 ³	PFPRV-2-A25-T4-30-9 ³	PFPRV-2-A25-T4-30-0 ⁴	250W
30'	15,203	Type III	PFPRV-2-A40-T3-30 ³	PFPRV-2-A40-T3-30-9 ³	PFPRV-2-A40-T3-30-0 ⁴	400W
	15,157	Type IV	PFPRV-2-A40-T4-30 ³	PFPRV-2-A40-T4-30-9 ³	PFPRV-2-A40-T4-30-0 ⁴	400W
	18,992	Type III	PFPRV-2-A60-T3-30 ³	PFPRV-2-A60-T3-30-9 ³	PFPRV-2-A60-T3-30-0 ⁴	450W
	18,935	Type IV	PFPRV-2-A60-T4-30 ³	PFPRV-2-A60-T4-30-9 ³	PFPRV-2-A60-T4-30-0 ⁴	450W
	18,935	Type IV	PFPRV-2-A60-T4-30 ³	PFPRV-2-A60-T4-30-9 ³	PFPRV-2-A60-T4-30-0 ⁴	450W



EPA=1.50

NOTES:

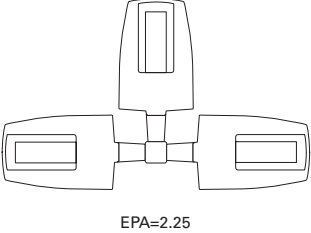
- Customer is responsible for engineering analysis to confirm pole and fixture compatibility for all applications. Refer to installation instructions IB500002EN and pole white paper WP513001EN for additional support information.
- Supplied with 4A Square Straight Steel Shaft (SSS), Anchor Bolts (AB1), Template (TMP1), hardware and base cover. 15' combo SS4A15SFM4, 20' combo SS4A20SFM4, and 25' combo SS4A25SFM4.
- Supplied with 5A Square Straight Steel Shaft (SSS), Anchor Bolts (AB1), Template (TMP1), hardware and base cover. 25' combo SS5A25SFM4 and 30' combo SS5A30SFM4.
- Supplied with 5M Square Straight Steel Shaft (SSS), Anchor Bolts (AB1), Template (TMP1), hardware and base cover. 30' combo SS5M30SFM4.
- Refer to In Stock Guide for stocked configurations and availability.

ALY-01

Revision Date:

THREE FIXTURE CONFIGURATION

(30FT CONFIGURATIONS WITH 80, 90, 100MPH WIND ZONES AND 25FT CONFIGURATIONS WITH 90, 100MPH WIND ZONES)

	Mounting Height (Feet)	Lumens (Nominal)	Distribution	Maximum Wind Zone (MPH)			HID Equivalent (Wattage)
				80	90	100	
 <p style="text-align: center;">EPA=2.25</p>	15'	6,192	Type III	PFPRV-3-A15-T3-15 ²	PFPRV-3-A15-T3-15-9 ²	PFPRV-3-A15-T3-15-0 ²	150W
		6,173	Type IV	PFPRV-3-A15-T4-15 ²	PFPRV-3-A15-T4-15-9 ²	PFPRV-3-A15-T4-15-0 ²	150W
		10,292	Type III	PFPRV-3-A25-T3-15 ²	PFPRV-3-A25-T3-15-9 ²	PFPRV-3-A25-T3-15-0 ²	250W
		10,261	Type IV	PFPRV-3-A25-T4-15 ²	PFPRV-3-A25-T4-15-9 ²	PFPRV-3-A25-T4-15-0 ²	250W
		15,203	Type III	PFPRV-3-A40-T3-15 ²	PFPRV-3-A40-T3-15-9 ²	PFPRV-3-A40-T3-15-0 ²	400W
		15,157	Type IV	PFPRV-3-A40-T4-15 ²	PFPRV-3-A40-T4-15-9 ²	PFPRV-3-A40-T4-15-0 ²	400W
		18,992	Type III	PFPRV-3-A60-T3-15 ²	PFPRV-3-A60-T3-15-9 ²	PFPRV-3-A60-T3-15-0 ²	450W
		18,935	Type IV	PFPRV-3-A60-T4-15 ²	PFPRV-3-A60-T4-15-9 ²	PFPRV-3-A60-T4-15-0 ²	450W
	20'	6,192	Type III	PFPRV-3-A15-T3-20 ²	PFPRV-3-A15-T3-20-9 ²	PFPRV-3-A15-T3-20-0 ²	150W
		6,173	Type IV	PFPRV-3-A15-T4-20 ²	PFPRV-3-A15-T4-20-9 ²	PFPRV-3-A15-T4-20-0 ²	150W
		10,292	Type III	PFPRV-3-A25-T3-20 ²	PFPRV-3-A25-T3-20-9 ²	PFPRV-3-A25-T3-20-0 ²	250W
		10,261	Type IV	PFPRV-3-A25-T4-20 ²	PFPRV-3-A25-T4-20-9 ²	PFPRV-3-A25-T4-20-0 ²	250W
		15,203	Type III	PFPRV-3-A40-T3-20 ²	PFPRV-3-A40-T3-20-9 ²	PFPRV-3-A40-T3-20-0 ²	400W
		15,157	Type IV	PFPRV-3-A40-T4-20 ²	PFPRV-3-A40-T4-25-9 ²	PFPRV-3-A40-T4-20-0 ²	400W
		18,992	Type III	PFPRV-3-A60-T3-20 ²	PFPRV-3-A60-T3-20-9 ²	PFPRV-3-A60-T3-20-0 ²	450W
		18,935	Type IV	PFPRV-3-A60-T4-20 ²	PFPRV-3-A60-T4-20-9 ²	PFPRV-3-A60-T4-20-0 ²	450W
	25'	6,192	Type III	PFPRV-3-A15-T3-25 ²	PFPRV-3-A15-T3-25-9 ³	PFPRV-3-A15-T3-25-0 ³	150W
		6,173	Type IV	PFPRV-3-A15-T4-25 ²	PFPRV-3-A15-T4-25-9 ³	PFPRV-3-A15-T4-25-0 ³	150W
		10,292	Type III	PFPRV-3-A25-T3-25 ²	PFPRV-3-A25-T3-25-9 ³	PFPRV-3-A25-T3-25-0 ³	250W
		10,261	Type IV	PFPRV-3-A25-T4-25 ²	PFPRV-3-A25-T4-25-9 ³	PFPRV-3-A25-T4-25-0 ³	250W
		15,203	Type III	PFPRV-3-A40-T3-25 ²	PFPRV-3-A40-T3-25-9 ³	PFPRV-3-A40-T3-25-0 ³	400W
		15,157	Type IV	PFPRV-3-A40-T4-25 ²	PFPRV-3-A40-T4-25-9 ³	PFPRV-3-A40-T4-25-0 ³	400W
		18,992	Type III	PFPRV-3-A60-T3-25 ²	PFPRV-3-A60-T3-25-9 ³	PFPRV-3-A60-T3-25-0 ³	450W
		18,935	Type IV	PFPRV-3-A60-T4-25 ²	PFPRV-3-A60-T4-25-9 ³	PFPRV-3-A60-T4-25-0 ³	450W
30'	6,192	Type III	PFPRV-3-A15-T3-30 ³	PFPRV-3-A15-T3-30-9 ⁴	PFPRV-3-A15-T3-30-0 ⁴	150W	
	6,173	Type IV	PFPRV-3-A15-T4-30 ³	PFPRV-3-A15-T4-30-9 ⁴	PFPRV-3-A15-T4-30-0 ⁴	150W	
	10,292	Type III	PFPRV-3-A25-T3-30 ³	PFPRV-3-A25-T3-30-9 ⁴	PFPRV-3-A25-T3-30-0 ⁴	250W	
	10,261	Type IV	PFPRV-3-A25-T4-30 ³	PFPRV-3-A25-T4-30-9 ⁴	PFPRV-3-A25-T4-30-0 ⁴	250W	
	15,203	Type III	PFPRV-3-A40-T3-30 ³	PFPRV-3-A40-T3-30-9 ⁴	PFPRV-3-A40-T3-30-0 ⁴	400W	
	15,157	Type IV	PFPRV-3-A40-T4-30 ³	PFPRV-3-A40-T4-30-9 ⁴	PFPRV-3-A40-T4-30-0 ⁴	400W	
	18,992	Type III	PFPRV-3-A60-T3-30 ³	PFPRV-3-A60-T3-30-9 ⁴	PFPRV-3-A60-T3-30-0 ⁴	450W	
	18,935	Type IV	PFPRV-3-A60-T4-30 ³	PFPRV-3-A60-T4-30-9 ⁴	PFPRV-3-A60-T4-30-0 ⁴	450W	

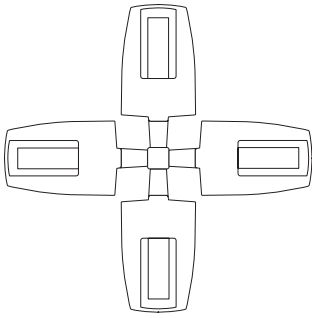
NOTES:

- Customer is responsible for engineering analysis to confirm pole and fixture compatibility for all applications. Refer to installation instructions IB500002EN and pole white paper WP513001EN for additional support information.
- Supplied with 4A Square Straight Steel Shaft (SSS), Anchor Bolts (AB1), Template (TMP1), hardware and base cover. 15' combo SS4A15SFM4, 20' combo SS4A20SFM4, and 25' combo SS4A25SFM4.
- Supplied with 5A Square Straight Steel Shaft (SSS), Anchor Bolts (AB1), Template (TMP1), hardware and base cover. 25' combo SS5A25SFM4 and 30' combo SS5A30SFM4.
- Supplied with 5M Square Straight Steel Shaft (SSS), Anchor Bolts (AB1), Template (TMP1), hardware and base cover. 30' combo SS5M30SFM4.
- Refer to In Stock Guide for availability.

ALY-01

Revision Date:

**FOUR FIXTURE CONFIGURATION
(30FT CONFIGURATIONS WITH 80, 90, 100MPH WIND ZONES AND 25FT CONFIGURATIONS WITH 100MPH WIND ZONE)**

	Mounting Height (Feet)	Lumens (Nominal)	Distribution	Maximum Wind Zone (MPH)			HID Equivalent (Wattage)
				80	90	100	
 <p>EPA=3.00</p>	15'	6,192	Type III	PFPRV-4-A15-T3-15 ²	PFPRV-4-A15-T3-15-9 ²	PFPRV-4-A15-T3-15-0 ²	150W
		6,173	Type IV	PFPRV-4-A15-T4-15 ²	PFPRV-4-A15-T4-15-9 ²	PFPRV-4-A15-T4-15-0 ²	150W
		10,292	Type III	PFPRV-4-A25-T3-15 ²	PFPRV-4-A25-T3-15-9 ²	PFPRV-4-A25-T3-15-0 ²	250W
		10,261	Type IV	PFPRV-4-A25-T4-15 ²	PFPRV-4-A25-T4-15-9 ²	PFPRV-4-A25-T4-15-0 ²	250W
		15,203	Type III	PFPRV-4-A40-T3-15 ²	PFPRV-4-A40-T3-15-9 ²	PFPRV-4-A40-T3-15-0 ²	400W
		15,157	Type IV	PFPRV-4-A40-T4-15 ²	PFPRV-4-A40-T4-15-9 ²	PFPRV-4-A40-T4-15-0 ²	400W
		18,992	Type III	PFPRV-4-A60-T4-15 ²	PFPRV-4-A60-T4-15-9 ²	PFPRV-4-A60-T4-15-0 ²	450W
		18,935	Type IV	PFPRV-4-A60-T4-15 ²	PFPRV-4-A60-T4-15-9 ²	PFPRV-4-A60-T4-15-0 ²	450W
	20'	6,192	Type III	PFPRV-4-A15-T3-20 ²	PFPRV-4-A15-T3-20-9 ²	PFPRV-4-A15-T3-20-0 ²	150W
		6,173	Type IV	PFPRV-4-A15-T4-20 ²	PFPRV-4-A15-T4-20-9 ²	PFPRV-4-A15-T4-20-0 ²	150W
		10,292	Type III	PFPRV-4-A25-T3-20 ²	PFPRV-4-A25-T3-20-9 ²	PFPRV-4-A25-T3-20-0 ²	250W
		10,261	Type IV	PFPRV-4-A25-T4-20 ²	PFPRV-4-A25-T4-20-9 ²	PFPRV-4-A25-T4-20-0 ²	250W
		15,203	Type III	PFPRV-4-A40-T3-20 ²	PFPRV-4-A40-T3-20-9 ²	PFPRV-4-A40-T3-20-0 ²	400W
		15,157	Type IV	PFPRV-4-A40-T4-20 ²	PFPRV-4-A40-T4-25-9 ²	PFPRV-4-A40-T4-20-0 ²	400W
		18,992	Type III	PFPRV-4-A60-T4-20 ²	PFPRV-4-A60-T4-20-9 ²	PFPRV-4-A60-T4-20-0 ²	450W
		18,935	Type IV	PFPRV-4-A60-T4-20 ²	PFPRV-4-A60-T4-20-9 ²	PFPRV-4-A60-T4-20-0 ²	450W
	25'	6,192	Type III	PFPRV-4-A15-T3-25 ²	PFPRV-4-A15-T3-25-9 ³	PFPRV-4-A15-T3-25-0 ³	150W
		6,173	Type IV	PFPRV-4-A15-T4-25 ²	PFPRV-4-A15-T4-25-9 ³	PFPRV-4-A15-T4-25-0 ³	150W
		10,292	Type III	PFPRV-4-A25-T3-25 ²	PFPRV-4-A25-T3-25-9 ³	PFPRV-4-A25-T3-25-0 ³	250W
		10,261	Type IV	PFPRV-4-A25-T4-25 ²	PFPRV-4-A25-T4-25-9 ³	PFPRV-4-A25-T4-25-0 ³	250W
		15,203	Type III	PFPRV-4-A40-T3-25 ²	PFPRV-4-A40-T3-25-9 ³	PFPRV-4-A40-T3-25-0 ³	400W
		15,157	Type IV	PFPRV-4-A40-T4-25 ²	PFPRV-4-A40-T4-25-9 ³	PFPRV-4-A40-T4-25-0 ³	400W
		18,992	Type III	PFPRV-4-A60-T4-25 ²	PFPRV-4-A60-T4-25-9 ³	PFPRV-4-A60-T4-25-0 ³	450W
		18,935	Type IV	PFPRV-4-A60-T4-25 ²	PFPRV-4-A60-T4-25-9 ³	PFPRV-4-A60-T4-25-0 ³	450W
30'	6,192	Type III	PFPRV-4-A15-T3-30 ³	PFPRV-4-A15-T3-30-9 ⁴	PFPRV-4-A15-T3-30-0 ⁴	150W	
	6,173	Type IV	PFPRV-4-A15-T4-30 ³	PFPRV-4-A15-T4-30-9 ⁴	PFPRV-4-A15-T4-30-0 ⁴	150W	
	10,292	Type III	PFPRV-4-A25-T3-30 ³	PFPRV-4-A25-T3-30-9 ⁴	PFPRV-4-A25-T3-30-0 ⁴	250W	
	10,261	Type IV	PFPRV-4-A25-T4-30 ³	PFPRV-4-A25-T4-30-9 ⁴	PFPRV-4-A25-T4-30-0 ⁴	250W	
	15,203	Type III	PFPRV-4-A40-T3-30 ³	PFPRV-4-A40-T3-30-9 ⁴	PFPRV-4-A40-T3-30-0 ⁴	400W	
	15,157	Type IV	PFPRV-4-A40-T4-30 ³	PFPRV-4-A40-T4-30-9 ⁴	PFPRV-4-A40-T4-30-0 ⁴	400W	
	18,992	Type III	PFPRV-4-A60-T4-30 ³	PFPRV-4-A60-T4-30-9 ⁴	PFPRV-4-A60-T4-30-0 ⁴	450W	
	18,935	Type IV	PFPRV-4-A60-T4-30 ³	PFPRV-4-A60-T4-30-9 ⁴	PFPRV-4-A60-T4-30-0 ⁴	450W	

NOTES:

- Customer is responsible for engineering analysis to confirm pole and fixture compatibility for all applications. Refer to installation instructions IB500002EN and pole white paper WP513001EN for additional support information.
- Supplied with 4A Square Straight Steel Shaft (SSS), Anchor Bolts (AB1), Template (TMP1), hardware and base cover. 15' combo SS4A15SFM4, 20' combo SS4A20SFM4, and 25' combo SS4A25SFM4.
- Supplied with 5A Square Straight Steel Shaft (SSS), Anchor Bolts (AB1), Template (TMP1), hardware and base cover. 25' combo SS5A25SFM4 and 30' combo SS5A30SFM4.
- Supplied with 5M Square Straight Steel Shaft (SSS), Anchor Bolts (AB1), Template (TMP1), hardware and base cover. 30' combo SS5M30SFM4.
- Refer to In Stock Guide for availability.

DESCRIPTION

The Prevail™ LED pole and fixture combination makes selection and installation of poles and fixtures simple. Included is the die-cast Prevail area, site and roadway luminaire with standard mounting arm, square straight steel pole, anchor bolts, base cover, template and hardware. Stock configurations are available in single and dual fixture combinations. The Prevail luminaire delivers a new level of versatility and value in patent pending, architectural design that delivers energy savings greater than 62% and replaces 150-450W metal halide fixtures. The Prevail fixture and pole combo is ideal for general area/site lighting applications.

PFPRV-1-A60-T3-25
PFPRV-1-A60-T3-25-MSP/DIM-L30

Alot

Kathleen Kenny, National Accounts,
678-447-5208, kathleenkenny@eaton.com

SPECIFICATION FEATURES

Construction

Construction is comprised of a heavy-duty, single-piece die-cast aluminum housing in dark bronze polyester powder paint. The die-cast aluminum door is tethered to provide easy access to the driver if replacement is required. The optics is mounted on a versatile, aluminum plate that dissipates heat from the LEDs resulting in longer life of the fixture. The fixture is IP66 and 3G vibration rated (ANSI C136.31).

Optics

Available in Type III and IV distributions with lumen packages ranging from 6,173 to 18,992 nominal lumens. Light engine configurations consist of 1 or 2 high-efficacy LEDs mounted to metal-core circuit boards to maximize heat dissipation and promote long life (up to L92/60,000 hours at 25°C) per IESNA TM-21. For the ultimate level of spill light control, an optional house side shield accessory can be field or factory installed.

Electrical

Available in 120-277V 50/60Hz. 10kV/10kA surge protection standard. 0-10V dimming driver is standard with leads external to the fixture to accommodate controls capability such as dimming and occupancy. Suitable for ambient temperatures from -40°C to 40°C.

Controls

An integrated dimming and occupancy sensor is available in bi-level dimming (MSP/DIM) operation.

Mounting

The versatile, patent pending, standard mount arm accommodates multiple drill patterns ranging from 1-1/2" to 4-7/8". Removal of the door on the standard mounting arm enables wiring of the fixture without having to access the driver compartment. A knock-out on the standard mounting arm enables round pole mounting.

Pole

Shaft is one-piece construction ASTM A500 grade "B" steel, shot blasted and finished in dark bronze polyester powder coat. Anchor base is fabricated from ASTM grade steel. ASTM A366 steel full base cover is provided to enclose base plate and anchor bolts. Anchor bolts are per ASTM A576 with two nuts, two flat washers, and one lock washer. Hardware and threaded portion of bolt are hot dip galvanized. 3" hook for 3/4" bolt. 4" hook for 1" bolt.

Finish

Housing and cast parts finished in five-stage super TGIC polyester bronze powder coat paint, 2.5 mil nominal thickness for superior protection against fade and wear.

Warranty

Five-year warranty.

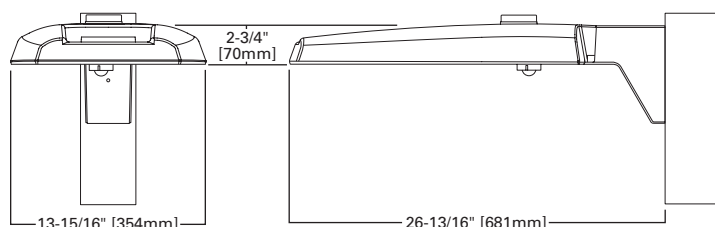


PFPRV PREVAIL POLE AND FIXTURE COMBO

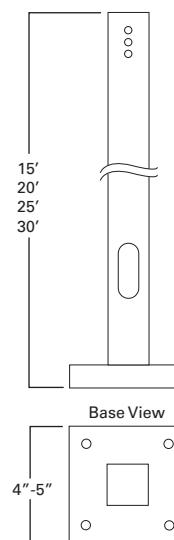
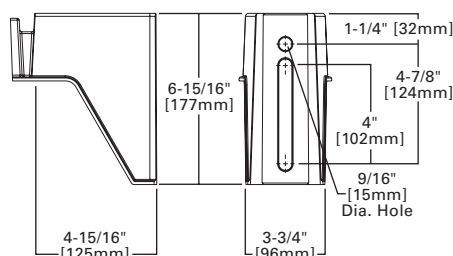
LED

POLE AND FIXTURE COMBO

DIMENSIONS



POLE MOUNT ARM



CERTIFICATION DATA

UL and cUL Wet Location Listed
IP66-Rated
3G Vibration Rated
ISO 9001
DesignLights Consortium™ Qualified*

ENERGY DATA

Electronic LED Driver
0.9 Power Factor
<20% Total Harmonic Distortion
120-277V/50 and 60Hz,
347V/60Hz, 480V/60Hz
-40°C Minimum Temperature Rating
+40°C Ambient Temperature Rating

EPA

Effective Projected Area (Sq. Ft.): 0.75
(1 fixture)

SHIPPING DATA

Approximate Net Weight:
20lbs. [9.09 kgs.] (1 fixture)

ALY-01-A

Revision Date:

ORDERING INFORMATION

Sample Number: PFPRV-1-A25-T3-15-N/AB

Series ^{1,2,3}	Number of Fixtures	Light Engine	Distribution	Pole Height	Maximum Wind Zone (MPH)	Options (Add as Suffix)	Accessories (Order Separately)
PFPRV=Prevail Pole and Fixture Combo	1=1 2=2 3=3 4=4	A15=(1 LED) 6,100 Nominal Lumens A25=(2 LED) 10,200 Nominal Lumens A40=(2 LED) 15,100 Nominal Lumens A60=(2 LED) 18,900 Nominal Lumens	T3=Type III T4=Type IV	15=15' 20=20' 25=25' 30=30'	Blank=80 9=90 0=100	N/AB=No Anchor Bolts (Used when ordered separately) HSS=House Side Shield MSP/DIM-L12=Integrated Sensor for Dimming Operation, 8' - 12' Mounting Height MSP/DIM-L30=Integrated Sensor for Dimming Operation, 12' - 30' Mounting Height PER=NEMA 3PIN Twistlock Photocontrol Receptacle ⁴ PER7=NEMA 7PIN Twistlock Photocontrol Receptacle ⁴	HS/VERD=House Side Shield

NOTES: 1 4000K CCT, standard bronze, 120-277V, 0-10V dimming. 2 Standard mount arm included with fixture. Supplied with straight steel shaft, anchor bolts, template, base cover and hardware. 3 DesignLights Consortium™ Qualified and classified for DLC standard, refer to www.designlights.org for details. 4 Not available with MSP options.

POWER AND LUMENS

Light Engine	A15	A25	A40	A60	
Nominal Power (Watts)	57W	87W	143W	163W	
Input Current @ 120V (A)	0.49	0.76	1.23	1.34	
Input Current @ 277V (A)	0.22	0.35	0.54	0.60	
Input Current @ 347V (A)	0.18	0.28	0.45	0.49	
Input Current @ 480V (A)	0.13	0.21	0.33	0.35	
Type II	Lumens	6,139	10,204	15,073	18,830
	BUG Rating	B1-U0-G1	B2-U0-G2	B3-U0-G3	B3-U0-G3
Type III	Lumens	6,192	10,292	15,203	18,992
	BUG Rating	B1-U0-G2	B2-U0-G3	B2-U0-G3	B3-U0-G4
Type IV	Lumens	6,173	10,261	15,157	18,935
	BUG Rating	B1-U0-G3	B2-U0-G3	B2-U0-G4	B2-U0-G5
Type V	Lumens	6,393	10,627	15,697	19,610
	BUG Rating	B3-U0-G3	B4-U0-G3	B4-U0-G4	B5-U0-G4

NOTE: Lumen output for standard bronze fixture color. Different housing colors impact lumen output. IES files for the non-standard colors are available upon request.

LUMEN MAINTENANCE

Ambient Temperature	25,000 Hours*	50,000 Hours*	60,000 Hours*	Theoretical 100,000 Hours	Theoretical L70 (Hours)*
25°C	> 96%	> 93%	> 92%	> 87%	> 260,000
40°C	> 96%	> 93%	> 92%	> 87%	> 255,000
50°C	> 95%	> 92%	> 91%	> 86%	> 250,000

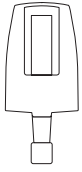
* Per IESNA TM-21 data.

LUMEN MULTIPLIER

Ambient Temperature	Lumen Multiplier
10°C	1.02
15°C	1.01
25°C	1.00
40°C	0.99

ALY-01-A
Revision Date:

ONE FIXTURE CONFIGURATION
(30FT CONFIGURATIONS WITH 80, 90 AND 100MPH WIND ZONES USE A 5" POLE)



EPA=0.75
T3=18,992
T4=18,935

Mounting Height (Feet)	Lumens (Nominal)	Distribution	Maximum Wind Zone (MPH)			HID Equivalent (Wattage)
			80	90	100	
15'	6,192	Type III	PFPRV-1-A15-T3-15 ²	PFPRV-1-A15-T3-15-9 ²	PFPRV-1-A15-T3-15-0 ²	150W
	6,173	Type IV	PFPRV-1-A15-T4-15 ²	PFPRV-1-A15-T4-15-9 ²	PFPRV-1-A15-T4-15-0 ²	150W
	10,292	Type III	PFPRV-1-A25-T3-15 ²	PFPRV-1-A25-T3-15-9 ²	PFPRV-1-A25-T3-15-0 ²	250W
	10,261	Type IV	PFPRV-1-A25-T4-15 ²	PFPRV-1-A25-T4-15-9 ²	PFPRV-1-A25-T4-15-0 ²	250W
	15,203	Type III	PFPRV-1-A40-T3-15 ²	PFPRV-1-A40-T3-15-9 ²	PFPRV-1-A40-T3-15-0 ²	400W
	15,157	Type IV	PFPRV-1-A40-T4-15 ²	PFPRV-1-A40-T4-15-9 ²	PFPRV-1-A40-T4-15-0 ²	400W
	18,992	Type III	PFPRV-1-A60-T3-15 ²	PFPRV-1-A60-T3-15-9 ²	PFPRV-1-A60-T3-15-0 ²	450W
18,935	Type IV	PFPRV-1-A60-T4-15 ²	PFPRV-1-A60-T4-15-9 ²	PFPRV-1-A60-T4-15-0 ²	450W	
20'	6,192	Type III	PFPRV-1-A15-T3-20 ²	PFPRV-1-A15-T3-20-9 ²	PFPRV-1-A15-T3-20-0 ²	150W
	6,173	Type IV	PFPRV-1-A15-T4-20 ²	PFPRV-1-A15-T4-20-9 ²	PFPRV-1-A15-T4-20-0 ²	150W
	10,292	Type III	PFPRV-1-A25-T3-20 ²	PFPRV-1-A25-T3-20-9 ²	PFPRV-1-A25-T3-20-0 ²	250W
	10,261	Type IV	PFPRV-1-A25-T4-20 ²	PFPRV-1-A25-T4-20-9 ²	PFPRV-1-A25-T4-20-0 ²	250W
	15,203	Type III	PFPRV-1-A40-T3-20 ²	PFPRV-1-A40-T3-20-9 ²	PFPRV-1-A40-T3-20-0 ²	400W
	15,157	Type IV	PFPRV-1-A40-T4-20 ²	PFPRV-1-A40-T4-25-9 ²	PFPRV-1-A40-T4-20-0 ²	400W
	18,992	Type III	PFPRV-1-A60-T3-20 ²	PFPRV-1-A60-T3-20-9 ²	PFPRV-1-A60-T3-20-0 ²	450W
18,935	Type IV	PFPRV-1-A60-T4-20 ²	PFPRV-1-A60-T4-20-9 ²	PFPRV-1-A60-T4-20-0 ²	450W	
25'	6,192	Type III	PFPRV-1-A15-T3-25 ²	PFPRV-1-A15-T3-25-9 ²	PFPRV-1-A15-T3-25-0 ²	150W
	6,173	Type IV	PFPRV-1-A15-T4-25 ²	PFPRV-1-A15-T4-25-9 ²	PFPRV-1-A15-T4-25-0 ²	150W
	10,292	Type III	PFPRV-1-A25-T3-25 ²	PFPRV-1-A25-T3-25-9 ²	PFPRV-1-A25-T3-25-0 ²	250W
	10,261	Type IV	PFPRV-1-A25-T4-25 ²	PFPRV-1-A25-T4-25-9 ²	PFPRV-1-A25-T4-25-0 ²	250W
	15,203	Type III	PFPRV-1-A40-T3-25 ²	PFPRV-1-A40-T3-25-9 ²	PFPRV-1-A40-T3-25-0 ²	400W
	15,157	Type IV	PFPRV-1-A40-T4-25 ²	PFPRV-1-A40-T4-25-9 ²	PFPRV-1-A40-T4-25-0 ²	400W
	18,992	Type III	PFPRV-1-A60-T3-25 ²	PFPRV-1-A60-T3-25-9 ²	PFPRV-1-A60-T3-25-0 ²	450W
18,935	Type IV	PFPRV-1-A60-T4-25 ²	PFPRV-1-A60-T4-25-9 ²	PFPRV-1-A60-T4-25-0 ²	450W	
30'	6,192	Type III	PFPRV-1-A15-T3-30 ³	PFPRV-1-A15-T3-30-9 ³	PFPRV-1-A15-T3-30-0 ⁴	150W
	6,173	Type IV	PFPRV-1-A15-T4-30 ³	PFPRV-1-A15-T4-30-9 ³	PFPRV-1-A15-T4-30-0 ⁴	150W
	10,292	Type III	PFPRV-1-A25-T3-30 ³	PFPRV-1-A25-T3-30-9 ³	PFPRV-1-A25-T3-30-0 ⁴	250W
	10,261	Type IV	PFPRV-1-A25-T4-30 ³	PFPRV-1-A25-T4-30-9 ³	PFPRV-1-A25-T4-30-0 ⁴	250W
	15,203	Type III	PFPRV-1-A40-T3-30 ³	PFPRV-1-A40-T3-30-9 ³	PFPRV-1-A40-T3-30-0 ⁴	400W
	15,157	Type IV	PFPRV-1-A40-T4-30 ³	PFPRV-1-A40-T4-30-9 ³	PFPRV-1-A40-T4-30-0 ⁴	400W
	18,992	Type III	PFPRV-1-A60-T3-30 ³	PFPRV-1-A60-T3-30-9 ³	PFPRV-1-A60-T3-30-0 ⁴	450W
18,935	Type IV	PFPRV-1-A60-T4-30 ³	PFPRV-1-A60-T4-30-9 ³	PFPRV-1-A60-T4-30-0 ⁴	450W	

NOTES:

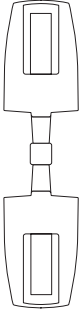
- Customer is responsible for engineering analysis to confirm pole and fixture compatibility for all applications. Refer to installation instructions IB500002EN and pole white paper WP513001EN for additional support information.
- Supplied with 4A Square Straight Steel Shaft (SSS), Anchor Bolts (AB1), Template (TMP1), hardware and base cover. 15' combo SS4A15SFM4, 20' combo SS4A20SFM4, and 25' combo SS4A25SFM4.
- Supplied with 5A Square Straight Steel Shaft (SSS), Anchor Bolts (AB1), Template (TMP1), hardware and base cover. 30' combo SS5A30SFM4.
- Supplied with 5M Square Straight Steel Shaft (SSS), Anchor Bolts (AB1), Template (TMP1), hardware and base cover. 30' combo SS5M30SFM4.
- Refer to In Stock Guide for stocked configurations and availability.

ALY-01-A

Revision Date:

**TWO FIXTURE CONFIGURATION
(30FT CONFIGURATIONS WITH 80, 90, 100MPH WIND ZONES AND 25FT CONFIGURATIONS WITH 100MPH WIND ZONE)**

Mounting Height (Feet)	Lumens (Nominal)	Distribution	Maximum Wind Zone (MPH)			HID Equivalent (Wattage)
			80	90	100	
15'	6,192	Type III	PFPRV-2-A15-T3-15 ²	PFPRV-2-A15-T3-15-9 ²	PFPRV-2-A15-T3-15-0 ²	150W
	6,173	Type IV	PFPRV-2-A15-T4-15 ²	PFPRV-2-A15-T4-15-9 ²	PFPRV-2-A15-T4-15-0 ²	150W
	10,292	Type III	PFPRV-2-A25-T3-15 ²	PFPRV-2-A25-T3-15-9 ²	PFPRV-2-A25-T3-15-0 ²	250W
	10,261	Type IV	PFPRV-2-A25-T4-15 ²	PFPRV-2-A25-T4-15-9 ²	PFPRV-2-A25-T4-15-0 ²	250W
	15,203	Type III	PFPRV-2-A40-T3-15 ²	PFPRV-2-A40-T3-15-9 ²	PFPRV-2-A40-T3-15-0 ²	400W
	15,157	Type IV	PFPRV-2-A40-T4-15 ²	PFPRV-2-A40-T4-15-9 ²	PFPRV-2-A40-T4-15-0 ²	400W
	18,992	Type III	PFPRV-2-A60-T3-15 ²	PFPRV-2-A60-T3-15-9 ²	PFPRV-2-A60-T3-15-0 ²	450W
20'	18,935	Type IV	PFPRV-2-A60-T4-15 ²	PFPRV-2-A60-T4-15-9 ²	PFPRV-2-A60-T4-15-0 ²	450W
	6,192	Type III	PFPRV-2-A15-T3-20 ²	PFPRV-2-A15-T3-20-9 ²	PFPRV-2-A15-T3-20-0 ²	150W
	6,173	Type IV	PFPRV-2-A15-T4-20 ²	PFPRV-2-A15-T4-20-9 ²	PFPRV-2-A15-T4-20-0 ²	150W
	10,292	Type III	PFPRV-2-A25-T3-20 ²	PFPRV-2-A25-T3-20-9 ²	PFPRV-2-A25-T3-20-0 ²	250W
	10,261	Type IV	PFPRV-2-A25-T4-20 ²	PFPRV-2-A25-T4-20-9 ²	PFPRV-2-A25-T4-20-0 ²	250W
	15,203	Type III	PFPRV-2-A40-T3-20 ²	PFPRV-2-A40-T3-20-9 ²	PFPRV-2-A40-T3-20-0 ²	400W
	15,157	Type IV	PFPRV-2-A40-T4-20 ²	PFPRV-2-A40-T4-20-9 ²	PFPRV-2-A40-T4-20-0 ²	400W
25'	18,992	Type III	PFPRV-2-A60-T3-20 ²	PFPRV-2-A60-T3-20-9 ²	PFPRV-2-A60-T3-20-0 ²	450W
	18,935	Type IV	PFPRV-2-A60-T4-20 ²	PFPRV-2-A60-T4-20-9 ²	PFPRV-2-A60-T4-20-0 ²	450W
	6,192	Type III	PFPRV-2-A15-T3-25 ²	PFPRV-2-A15-T3-25-9 ²	PFPRV-2-A15-T3-25-0 ³	150W
	6,173	Type IV	PFPRV-2-A15-T4-25 ²	PFPRV-2-A15-T4-25-9 ²	PFPRV-2-A15-T4-25-0 ³	150W
	10,292	Type III	PFPRV-2-A25-T3-25 ²	PFPRV-2-A25-T3-25-9 ²	PFPRV-2-A25-T3-25-0 ³	250W
	10,261	Type IV	PFPRV-2-A25-T4-25 ²	PFPRV-2-A25-T4-25-9 ²	PFPRV-2-A25-T4-25-0 ³	250W
	15,203	Type III	PFPRV-2-A40-T3-25 ²	PFPRV-2-A40-T3-25-9 ²	PFPRV-2-A40-T3-25-0 ³	400W
30'	15,157	Type IV	PFPRV-2-A40-T4-25 ²	PFPRV-2-A40-T4-25-9 ²	PFPRV-2-A40-T4-25-0 ³	400W
	18,992	Type III	PFPRV-2-A60-T3-25 ²	PFPRV-2-A60-T3-25-9 ²	PFPRV-2-A60-T3-25-0 ³	450W
	18,935	Type IV	PFPRV-2-A60-T4-25 ²	PFPRV-2-A60-T4-25-9 ²	PFPRV-2-A60-T4-25-0 ³	450W
	6,192	Type III	PFPRV-2-A15-T3-30 ³	PFPRV-2-A15-T3-30-9 ³	PFPRV-2-A15-T3-30-0 ⁴	150W
	6,173	Type IV	PFPRV-2-A15-T4-30 ³	PFPRV-2-A15-T4-30-9 ³	PFPRV-2-A15-T4-30-0 ⁴	150W
	10,292	Type III	PFPRV-2-A25-T3-30 ³	PFPRV-2-A25-T3-30-9 ³	PFPRV-2-A25-T3-30-0 ⁴	250W
	10,261	Type IV	PFPRV-2-A25-T4-30 ³	PFPRV-2-A25-T4-30-9 ³	PFPRV-2-A25-T4-30-0 ⁴	250W
30'	15,203	Type III	PFPRV-2-A40-T3-30 ³	PFPRV-2-A40-T3-30-9 ³	PFPRV-2-A40-T3-30-0 ⁴	400W
	15,157	Type IV	PFPRV-2-A40-T4-30 ³	PFPRV-2-A40-T4-30-9 ³	PFPRV-2-A40-T4-30-0 ⁴	400W
	18,992	Type III	PFPRV-2-A60-T3-30 ³	PFPRV-2-A60-T3-30-9 ³	PFPRV-2-A60-T3-30-0 ⁴	450W
	18,935	Type IV	PFPRV-2-A60-T4-30 ³	PFPRV-2-A60-T4-30-9 ³	PFPRV-2-A60-T4-30-0 ⁴	450W
	18,935	Type IV	PFPRV-2-A60-T4-30 ³	PFPRV-2-A60-T4-30-9 ³	PFPRV-2-A60-T4-30-0 ⁴	450W



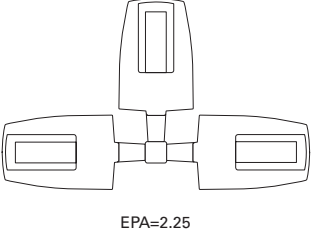
EPA=1.50

NOTES:

- Customer is responsible for engineering analysis to confirm pole and fixture compatibility for all applications. Refer to installation instructions IB500002EN and pole white paper WP513001EN for additional support information.
- Supplied with 4A Square Straight Steel Shaft (SSS), Anchor Bolts (AB1), Template (TMP1), hardware and base cover. 15' combo SS4A15SFM4, 20' combo SS4A20SFM4, and 25' combo SS4A25SFM4.
- Supplied with 5A Square Straight Steel Shaft (SSS), Anchor Bolts (AB1), Template (TMP1), hardware and base cover. 25' combo SS5A25SFM4 and 30' combo SS5A30SFM4.
- Supplied with 5M Square Straight Steel Shaft (SSS), Anchor Bolts (AB1), Template (TMP1), hardware and base cover. 30' combo SS5M30SFM4.
- Refer to In Stock Guide for stocked configurations and availability.

THREE FIXTURE CONFIGURATION

(30FT CONFIGURATIONS WITH 80, 90, 100MPH WIND ZONES AND 25FT CONFIGURATIONS WITH 90, 100MPH WIND

	Mounting Height (Feet)	Lumens (Nominal)	Distribution	Maximum Wind Zone (MPH)			HID Equivalent (Wattage)
				80	90	100	
 <p>EPA=2.25</p>	15'	6,192	Type III	PFPRV-3-A15-T3-15 ²	PFPRV-3-A15-T3-15-9 ²	PFPRV-3-A15-T3-15-0 ²	150W
		6,173	Type IV	PFPRV-3-A15-T4-15 ²	PFPRV-3-A15-T4-15-9 ²	PFPRV-3-A15-T4-15-0 ²	150W
		10,292	Type III	PFPRV-3-A25-T3-15 ²	PFPRV-3-A25-T3-15-9 ²	PFPRV-3-A25-T3-15-0 ²	250W
		10,261	Type IV	PFPRV-3-A25-T4-15 ²	PFPRV-3-A25-T4-15-9 ²	PFPRV-3-A25-T4-15-0 ²	250W
		15,203	Type III	PFPRV-3-A40-T3-15 ²	PFPRV-3-A40-T3-15-9 ²	PFPRV-3-A40-T3-15-0 ²	400W
		15,157	Type IV	PFPRV-3-A40-T4-15 ²	PFPRV-3-A40-T4-15-9 ²	PFPRV-3-A40-T4-15-0 ²	400W
		18,992	Type III	PFPRV-3-A60-T3-15 ²	PFPRV-3-A60-T3-15-9 ²	PFPRV-3-A60-T3-15-0 ²	450W
		18,935	Type IV	PFPRV-3-A60-T4-15 ²	PFPRV-3-A60-T4-15-9 ²	PFPRV-3-A60-T4-15-0 ²	450W
	20'	6,192	Type III	PFPRV-3-A15-T3-20 ²	PFPRV-3-A15-T3-20-9 ²	PFPRV-3-A15-T3-20-0 ²	150W
		6,173	Type IV	PFPRV-3-A15-T4-20 ²	PFPRV-3-A15-T4-20-9 ²	PFPRV-3-A15-T4-20-0 ²	150W
		10,292	Type III	PFPRV-3-A25-T3-20 ²	PFPRV-3-A25-T3-20-9 ²	PFPRV-3-A25-T3-20-0 ²	250W
		10,261	Type IV	PFPRV-3-A25-T4-20 ²	PFPRV-3-A25-T4-20-9 ²	PFPRV-3-A25-T4-20-0 ²	250W
		15,203	Type III	PFPRV-3-A40-T3-20 ²	PFPRV-3-A40-T3-20-9 ²	PFPRV-3-A40-T3-20-0 ²	400W
		15,157	Type IV	PFPRV-3-A40-T4-20 ²	PFPRV-3-A40-T4-25-9 ²	PFPRV-3-A40-T4-20-0 ²	400W
		18,992	Type III	PFPRV-3-A60-T3-20 ²	PFPRV-3-A60-T3-20-9 ²	PFPRV-3-A60-T3-20-0 ²	450W
		18,935	Type IV	PFPRV-3-A60-T4-20 ²	PFPRV-3-A60-T4-20-9 ²	PFPRV-3-A60-T4-20-0 ²	450W
	25'	6,192	Type III	PFPRV-3-A15-T3-25 ²	PFPRV-3-A15-T3-25-9 ³	PFPRV-3-A15-T3-25-0 ³	150W
		6,173	Type IV	PFPRV-3-A15-T4-25 ²	PFPRV-3-A15-T4-25-9 ³	PFPRV-3-A15-T4-25-0 ³	150W
		10,292	Type III	PFPRV-3-A25-T3-25 ²	PFPRV-3-A25-T3-25-9 ³	PFPRV-3-A25-T3-25-0 ³	250W
		10,261	Type IV	PFPRV-3-A25-T4-25 ²	PFPRV-3-A25-T4-25-9 ³	PFPRV-3-A25-T4-25-0 ³	250W
		15,203	Type III	PFPRV-3-A40-T3-25 ²	PFPRV-3-A40-T3-25-9 ³	PFPRV-3-A40-T3-25-0 ³	400W
		15,157	Type IV	PFPRV-3-A40-T4-25 ²	PFPRV-3-A40-T4-25-9 ³	PFPRV-3-A40-T4-25-0 ³	400W
		18,992	Type III	PFPRV-3-A60-T3-25 ²	PFPRV-3-A60-T3-25-9 ³	PFPRV-3-A60-T3-25-0 ³	450W
		18,935	Type IV	PFPRV-3-A60-T4-25 ²	PFPRV-3-A60-T4-25-9 ³	PFPRV-3-A60-T4-25-0 ³	450W
	30'	6,192	Type III	PFPRV-3-A15-T3-30 ³	PFPRV-3-A15-T3-30-9 ⁴	PFPRV-3-A15-T3-30-0 ⁴	150W
		6,173	Type IV	PFPRV-3-A15-T4-30 ³	PFPRV-3-A15-T4-30-9 ⁴	PFPRV-3-A15-T4-30-0 ⁴	150W
		10,292	Type III	PFPRV-3-A25-T3-30 ³	PFPRV-3-A25-T3-30-9 ⁴	PFPRV-3-A25-T3-30-0 ⁴	250W
		10,261	Type IV	PFPRV-3-A25-T4-30 ³	PFPRV-3-A25-T4-30-9 ⁴	PFPRV-3-A25-T4-30-0 ⁴	250W
15,203		Type III	PFPRV-3-A40-T3-30 ³	PFPRV-3-A40-T3-30-9 ⁴	PFPRV-3-A40-T3-30-0 ⁴	400W	
15,157		Type IV	PFPRV-3-A40-T4-30 ³	PFPRV-3-A40-T4-30-9 ⁴	PFPRV-3-A40-T4-30-0 ⁴	400W	
18,992		Type III	PFPRV-3-A60-T3-30 ³	PFPRV-3-A60-T3-30-9 ⁴	PFPRV-3-A60-T3-30-0 ⁴	450W	
18,935		Type IV	PFPRV-3-A60-T4-30 ³	PFPRV-3-A60-T4-30-9 ⁴	PFPRV-3-A60-T4-30-0 ⁴	450W	

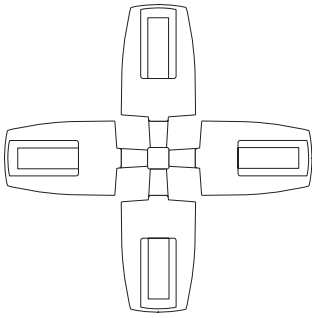
NOTES:

- Customer is responsible for engineering analysis to confirm pole and fixture compatibility for all applications. Refer to installation instructions IB500002EN and pole white paper WP513001EN for additional support information.
- Supplied with 4A Square Straight Steel Shaft (SSS), Anchor Bolts (AB1), Template (TMP1), hardware and base cover. 15' combo SS4A15SFM4, 20' combo SS4A20SFM4, and 25' combo SS4A25SFM4.
- Supplied with 5A Square Straight Steel Shaft (SSS), Anchor Bolts (AB1), Template (TMP1), hardware and base cover. 25' combo SS5A25SFM4 and 30' combo SS5A30SFM4.
- Supplied with 5M Square Straight Steel Shaft (SSS), Anchor Bolts (AB1), Template (TMP1), hardware and base cover. 30' combo SS5M30SFM4.
- Refer to In Stock Guide for availability.

ALY-01-A

Revision Date:

**FOUR FIXTURE CONFIGURATION
(30FT CONFIGURATIONS WITH 80, 90, 100MPH WIND ZONES AND 25FT CONFIGURATIONS WITH 100MPH WIND ZONE)**

	Mounting Height (Feet)	Lumens (Nominal)	Distribution	Maximum Wind Zone (MPH)			HID Equivalent (Wattage)
				80	90	100	
 <p>EPA=3.00</p>	15'	6,192	Type III	PFPRV-4-A15-T3-15 ²	PFPRV-4-A15-T3-15-9 ²	PFPRV-4-A15-T3-15-0 ²	150W
		6,173	Type IV	PFPRV-4-A15-T4-15 ²	PFPRV-4-A15-T4-15-9 ²	PFPRV-4-A15-T4-15-0 ²	150W
		10,292	Type III	PFPRV-4-A25-T3-15 ²	PFPRV-4-A25-T3-15-9 ²	PFPRV-4-A25-T3-15-0 ²	250W
		10,261	Type IV	PFPRV-4-A25-T4-15 ²	PFPRV-4-A25-T4-15-9 ²	PFPRV-4-A25-T4-15-0 ²	250W
		15,203	Type III	PFPRV-4-A40-T3-15 ²	PFPRV-4-A40-T3-15-9 ²	PFPRV-4-A40-T3-15-0 ²	400W
		15,157	Type IV	PFPRV-4-A40-T4-15 ²	PFPRV-4-A40-T4-15-9 ²	PFPRV-4-A40-T4-15-0 ²	400W
		18,992	Type III	PFPRV-4-A60-T4-15 ²	PFPRV-4-A60-T4-15-9 ²	PFPRV-4-A60-T4-15-0 ²	450W
		18,935	Type IV	PFPRV-4-A60-T4-15 ²	PFPRV-4-A60-T4-15-9 ²	PFPRV-4-A60-T4-15-0 ²	450W
	20'	6,192	Type III	PFPRV-4-A15-T3-20 ²	PFPRV-4-A15-T3-20-9 ²	PFPRV-4-A15-T3-20-0 ²	150W
		6,173	Type IV	PFPRV-4-A15-T4-20 ²	PFPRV-4-A15-T4-20-9 ²	PFPRV-4-A15-T4-20-0 ²	150W
		10,292	Type III	PFPRV-4-A25-T3-20 ²	PFPRV-4-A25-T3-20-9 ²	PFPRV-4-A25-T3-20-0 ²	250W
		10,261	Type IV	PFPRV-4-A25-T4-20 ²	PFPRV-4-A25-T4-20-9 ²	PFPRV-4-A25-T4-20-0 ²	250W
		15,203	Type III	PFPRV-4-A40-T3-20 ²	PFPRV-4-A40-T3-20-9 ²	PFPRV-4-A40-T3-20-0 ²	400W
		15,157	Type IV	PFPRV-4-A40-T4-20 ²	PFPRV-4-A40-T4-25-9 ²	PFPRV-4-A40-T4-20-0 ²	400W
		18,992	Type III	PFPRV-4-A60-T4-20 ²	PFPRV-4-A60-T4-20-9 ²	PFPRV-4-A60-T4-20-0 ²	450W
		18,935	Type IV	PFPRV-4-A60-T4-20 ²	PFPRV-4-A60-T4-20-9 ²	PFPRV-4-A60-T4-20-0 ²	450W
	25'	6,192	Type III	PFPRV-4-A15-T3-25 ²	PFPRV-4-A15-T3-25-9 ³	PFPRV-4-A15-T3-25-0 ³	150W
		6,173	Type IV	PFPRV-4-A15-T4-25 ²	PFPRV-4-A15-T4-25-9 ³	PFPRV-4-A15-T4-25-0 ³	150W
		10,292	Type III	PFPRV-4-A25-T3-25 ²	PFPRV-4-A25-T3-25-9 ³	PFPRV-4-A25-T3-25-0 ³	250W
		10,261	Type IV	PFPRV-4-A25-T4-25 ²	PFPRV-4-A25-T4-25-9 ³	PFPRV-4-A25-T4-25-0 ³	250W
		15,203	Type III	PFPRV-4-A40-T3-25 ²	PFPRV-4-A40-T3-25-9 ³	PFPRV-4-A40-T3-25-0 ³	400W
		15,157	Type IV	PFPRV-4-A40-T4-25 ²	PFPRV-4-A40-T4-25-9 ³	PFPRV-4-A40-T4-25-0 ³	400W
		18,992	Type III	PFPRV-4-A60-T4-25 ²	PFPRV-4-A60-T4-25-9 ³	PFPRV-4-A60-T4-25-0 ³	450W
		18,935	Type IV	PFPRV-4-A60-T4-25 ²	PFPRV-4-A60-T4-25-9 ³	PFPRV-4-A60-T4-25-0 ³	450W
	30'	6,192	Type III	PFPRV-4-A15-T3-30 ³	PFPRV-4-A15-T3-30-9 ⁴	PFPRV-4-A15-T3-30-0 ⁴	150W
		6,173	Type IV	PFPRV-4-A15-T4-30 ³	PFPRV-4-A15-T4-30-9 ⁴	PFPRV-4-A15-T4-30-0 ⁴	150W
		10,292	Type III	PFPRV-4-A25-T3-30 ³	PFPRV-4-A25-T3-30-9 ⁴	PFPRV-4-A25-T3-30-0 ⁴	250W
		10,261	Type IV	PFPRV-4-A25-T4-30 ³	PFPRV-4-A25-T4-30-9 ⁴	PFPRV-4-A25-T4-30-0 ⁴	250W
15,203		Type III	PFPRV-4-A40-T3-30 ³	PFPRV-4-A40-T3-30-9 ⁴	PFPRV-4-A40-T3-30-0 ⁴	400W	
15,157		Type IV	PFPRV-4-A40-T4-30 ³	PFPRV-4-A40-T4-30-9 ⁴	PFPRV-4-A40-T4-30-0 ⁴	400W	
18,992		Type III	PFPRV-4-A60-T4-30 ³	PFPRV-4-A60-T4-30-9 ⁴	PFPRV-4-A60-T4-30-0 ⁴	450W	
18,935		Type IV	PFPRV-4-A60-T4-30 ³	PFPRV-4-A60-T4-30-9 ⁴	PFPRV-4-A60-T4-30-0 ⁴	450W	

NOTES:

- Customer is responsible for engineering analysis to confirm pole and fixture compatibility for all applications. Refer to installation instructions IB500002EN and pole white paper WP513001EN for additional support information.
- Supplied with 4A Square Straight Steel Shaft (SSS), Anchor Bolts (AB1), Template (TMP1), hardware and base cover. 15' combo SS4A15SFM4, 20' combo SS4A20SFM4, and 25' combo SS4A25SFM4.
- Supplied with 5A Square Straight Steel Shaft (SSS), Anchor Bolts (AB1), Template (TMP1), hardware and base cover. 25' combo SS5A25SFM4 and 30' combo SS5A30SFM4.
- Supplied with 5M Square Straight Steel Shaft (SSS), Anchor Bolts (AB1), Template (TMP1), hardware and base cover. 30' combo SS5M30SFM4.
- Refer to In Stock Guide for availability.

DESCRIPTION

Boca 696 is a compact 6-1/4" diameter by 9-1/4" deep in-ground LED luminaire. The adjustable lamp assembly provides +/- 22° vertical tilt and 360° horizontal rotation for precision uplighting, wall washing or general illumination in constricted areas. Designed for recessed mounting in concrete, brick, stone or dirt, it is suitable for drive-over applications. Fixture is also suitable for recessed mounting in indoor or outdoor wood flooring. A surface mount trim option is also available. Various lenses, louvers and color or dichroic filters can be combined – up to three at once – to create multiple lighting effects.

Catalog #	696-10LED-4021-120/12-CS	Type
Project		ALY-02
Comments		Revision Date:
Prepared by		

SPECIFICATION FEATURES

Construction

Recessed housing is constructed from corrosion-resistant, glass reinforced polyester BMC molding compound and includes two 1/2-14 NPSM conduit fittings for through wiring. Recessed housing and trim ring are sealed with a high temperature silicone molded gasket to prevent water intrusion. The painted trim ring is precision machined from corrosion resistant 6061-T6 aluminum. The trim ring is also available in machined C360 brass, C932 bronze, C10 copper or 303/304 stainless steel, brass, bronze or machined copper.

Finish

The painted trim is double protected by a ROHS compliant chemical film undercoating and polyester powder coat finish. A variety of standard colors are available or RAL and custom color matches are available upon request. Trims constructed from brass, bronze, copper and

stainless steel are left unpainted to reveal the natural beauty of the material. Brass, bronze and copper will patina naturally over time.

Lens

Minimum 1/4" thick tempered glass lens, factory sealed with high temperature adhesive to prevent water intrusion. Suitable for drive-over applications up to 5000 pounds.

Hardware

Stainless steel hardware is standard to provide maximum corrosion-resistance.

Electrical

When ordered as a line voltage fixture, an integral 12V magnetic transformer is included for connection to 120V, 230V, 240V, or 277V line voltage (specify). When ordered as a low voltage fixture, a remote 12V transformer is required (not included). Dimming only available for 120V option. See technical notes for compatible dimmer switches.

LED Modules

LED modules are included and are available in four color temperatures (2700,3000,4000,5700) or Amber (585-595nm) and three distributions (spot, narrow, and flood). Both color temperature and distribution must be specified when ordering. Module has a L70 / 60,000 hour rating.

Warranty

Lumière warrants its fixtures against defects in materials & workmanship for three (3) years. Auxiliary equipment such as transformers carry the original manufacturer's warranty.

Recessed Housing

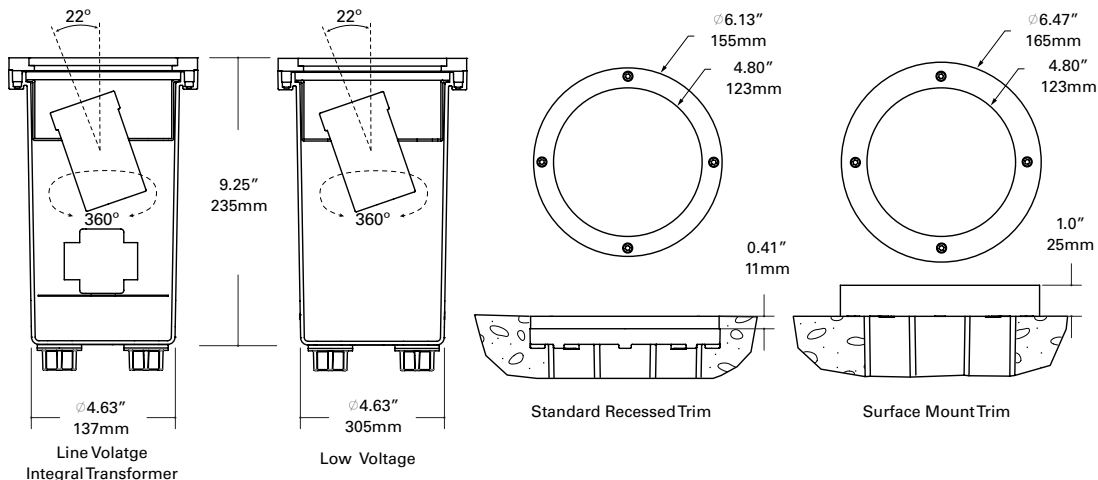
Recessed housing is available to ship in advance of complete fixture for rough-in purposes. Specify option -LBB and order separately the accompanying recessed housing from below.

Recessed Housing
600-BB



696
BOCA
LED

APPLICATIONS:
GROUND-MOUNT
RECESSED



CERTIFICATION DATA
UL and cUL Wet Location Listed
LM79 / LM80 Compliant
LM70 / 60,000 Hours
ROHS Compliant
IP67 Ingress Protection Rated

TECHNICAL DATA
External Supply Wiring 90°C Minimum

ORDERING INFORMATION

Sample Number: 696-10LED2712-120/12-BK

Series	Trim	Source (select from each column and combine)			Voltage	Finish ¹	Options ²
696=6 1/4" dia. Boca Inground LED Uplight, 22° Tilt, 360° Rotation	[Blank]= Standard Round Trim SM= Round Surface Mount Trim	6LED=6W LED	27=2700K	12=12° Spot	12=12 Volt Remote Transformer Required (not included) 120/12=120V Integral Transformer 230/12=230V Integral Transformer 240/12=240V Integral Transformer 277/12=277V Integral Transformer	Painted BK=Black BZ=Bronze CS=City Silver VE=Verde WT=White Premium Finish NBR=Natural Brass NCP=Natural Copper NBZ=Natural Bronze NSS=Natural Stainless Steel	LBB=Less Back Box
		10LED=10W LED	30=3000K 40=4000K 57=5700K	21=21° Narrow 41=41° Wide			
		4LED=4W LED 7LED=7W LED	AM=Amber (585-595nm)				

NOTES: 1 Custom and RAL color matching available upon request. Consult factory for further information. 2 When specifying LBB option the back box needs to be ordered separately 600-BB.

ACCESSORIES - ORDER SEPARATELY

ALY-02
Revision Date:

Dichroic Filters (2.00" Diameter)	Color Filters (2.00" Diameter)	Optical Lenses (2.00" Diameter)	Optical Louvers (2.00" Diameter)
F71 = Peach Dichroic F72 = Amber Dichroic F73 = Green Dichroic F74 = Medium Blue Dichroic F75 = Yellow Dichroic F76 = Red Dichroic F77 = Dark Blue Dichroic F78 = Light Blue Dichroic F79 = Neutral Density Dichroic F80 = Magenta Dichroic	F22 = Red Color F33 = Blue Color F44 = Green Color F55 = Yellow Color F66 = Mercury Vapor	LSL =Linear Spread Lens (elongates standard beam spread) DIF =Diffused Lens (provides even illumination) OSL =Overall Spread Lens (increases standard beam spread)	LVR =45° Hex Cell Louver (reduces glare)

PHOTOMETRY

OPTIC TYPE (beam spread)	BASE + ACCESSORY OPTIONS	4000K CCT					
		10W			6W		
		CBCP	LUMENS	LPW	CBCP	LUMENS	LPW
12°	BASE	8049	418	44	6037	314	53
	+ DIF (DIFFUSE)	1188	336	36	891	252	43
	+ OSL (OVERALL SPREAD LENS)	886	368	40	665	276	47
	+ LSL (LINEAR SPREAD LENS)	NA	378	41	NA	284	48
	+ LVR (HEXCELL LOUVER)	6799	332	35	5099	249	42
21°	BASE	2129	370	40	1597	278	47
	+ DIF (DIFFUSE)	648	300	33	486	225	38
	+ OSL (OVERALL SPREAD LENS)	596	337	37	447	253	43
	+ LSL (LINEAR SPREAD LENS)	NA	329	36	NA	247	42
	+ LVR (HEXCELL LOUVER)	2007	268	29	1505	201	34
41°	BASE	1169	361	39	877	271	46
	+ DIF (DIFFUSE)	410	278	30	308	209	36
	+ OSL (OVERALL SPREAD LENS)	509	318	35	382	239	41
	+ LSL (LINEAR SPREAD LENS)	NA	315	34	NA	236	40
	+ LVR (HEXCELL LOUVER)	1004	213	23	753	160	27

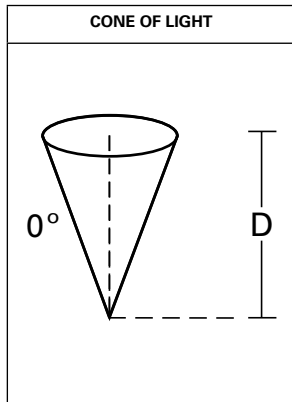
CCT MULTIPLIER TABLE

CCT(K) / COLOR	MULTIPLIER
2700K	0.79
3000K	0.86
4000K	1.00
5700K	1.05
AMBER	0.57

Note: Multiplier can be used to calculate center beam candle power (CBCP), Lumens and footcandle (FC) values.

CONE OF LIGHT

Horizontal Illuminance on Surface - Boca 696 CCT of 4000K with Various Beam Spreads



Filename: 696-10LED4012-12-BK.ies			
Test No.: P26954			
D	FC	Beam Diameter	
2'	2012.2	0.4	
4'	503.1	0.8	
6'	223.6	1.2	
8'	125.8	1.6	
10'	80.5	2.0	
15'	35.8	3.0	
20'	20.1	4.0	
30'	8.9	6.0	
40'	5.0	8.0	

Filename: 696-10LED4021-12-BK.ies			
Test No.: P26955			
D	FC	Beam Diameter	
2'	532.2	0.6	
4'	133.1	1.4	
6'	59.1	2	
8'	33.3	2.8	
10'	21.3	3.4	
15'	9.5	5.2	
20'	5.3	7	
30'	2.4	10.6	
40'	1.3	14.2	

Filename: 696-10LED4041-12-BK.ies			
Test No.: P26953			
D	FC	Beam Diameter	
2'	289.9	0.8	
4'	72.5	1.6	
6'	32.2	2.5	
8'	18.1	3.4	
10'	11.6	4.2	
15'	5.2	6.4	
20'	2.9	8.5	
30'	1.3	12.9	
40'	0.7	17.2	

TECHNICAL INFORMATION

- When selecting integral transformer option, dimming is only possible at 120V using a magnetic dimmer switch. There are two compatible magnetic dimming switches: Lutron Ariadni AVLV-600P and Lutron Diva DVLV-600P
- When selecting low voltage option dimming is dependant on remote transformer compatibility with LED module.
- IMPORTANT:** For the low voltage option - when sizing the transformer use 9 watts for 6LED or 15 watts for 10LED option fixture. Nominal power draw after start up is 6 watts or 10 watts accordingly. The LED module is designed to operate between 10 and 13 volts. Any less or more voltage can cause premature failures.
- IMPORTANT:** Apply gray duct sealing compound (not included) to completely seal the wires inside the bottom male conduit nipple. Completely seal the bottom of the fixture. The gray duct sealing compound by itself cannot seal the hubs. We recommend using re-enterable potting seal material such as 3M High Gel 4442 re-enterable encapsulant (not Included) to completely seal the bottom of the fixture and the conduit lines.
- Suitable for installation in combustible materials such as wood decking.

DESCRIPTION

The ASYX 2.0 second generation of asymmetric lighting is designed for general ambient illumination and accenting architectural features. The luminaire allows for both forward and wide distributions as well four different color temperatures to accommodate any space. The ASYX 2.0 utilizes the patented and highly efficient AccuLED Optics™ system for industry leading performance. IP66 rated and optional natorium finish.

SPECIFICATION FEATURES

Construction

Heavy-wall die cast aluminum end caps with extruded aluminum housing. Housing fins allow for air flow and thermal management. Fixture is rated to 40°C. Weight: 12 lbs (Includes housing and knuckle. Pendant stem weight varies)

Electrical

Standard drivers feature electronic universal voltage (120-277V/ 50-60 Hz), greater than 0.9 power factor, less than 20% harmonic distortion, and ambient temperature range of 40°C (104°F) to minimum starting temp of -30°C (-22°F). 0-10V dimming standard with DALI option available. Max amp draw @ 120V is 1.5 Amps.

LED Optics

ASYX 2.0 luminaire utilizes patented, high efficiency AccuLED Optics with specific optical distributions. Each lens is injection molded for precision, arranged and sealed onto a board substrate. LEDs are industry leading high output with standard product at 93% lumen maintenance at 60,000 hours. Offered in 80+ CRI for 2700K.

3000K, and 3500K CCT, and 70+ CRI for 4000K CCT. The ASYX 2.0 also offers +/- 90°, or 180° rotated optics.

Mounting

Die cast adjustable knuckle, bolts to housing. Fixture mounts to recessed junction box (by others) using wall plate, or surface mount box with conduit entry option. See installation instructions for mounting conditions to ensure adequate support. Fixture has continuous adjustability, 20° up to 20° down with locking mechanism, as well as upward facing or downward facing.

Finish

Fixture housing is coated using electrostatically charged polyester powder coat paint for superior protection against fade and wear. Mounting plate and all accessories to match specified color of luminaire housing. Standard colors include white, silver, black, bronze, and custom RAL color match available.

Compliance

Components are UL recognized and luminaires are cULus listed for 40°C

ambient environments, wet location listed, and RoHS compliant. IP66 Rated.

Environment

Suited for indoor, outdoor (wet location listed, IP66 rated)

Natorium

Construction consists of specialized protective coating on all metal components, stainless steel hardware, and sealed LEDs. 80% lumen maintenance at 60,000 hours. Salt Fog testing per ASTM B117-73.

Control

Standard offering is 0-10V dimming and energy saving integral sensor device available. 0-10V dimming current draw is 0.2 mA per driver. Digital Addressable Lighting Interface (DALI) driver option can be used with Fifth Light Technology.

Life and Warranty

Standard five-year limited warranty on all parts.



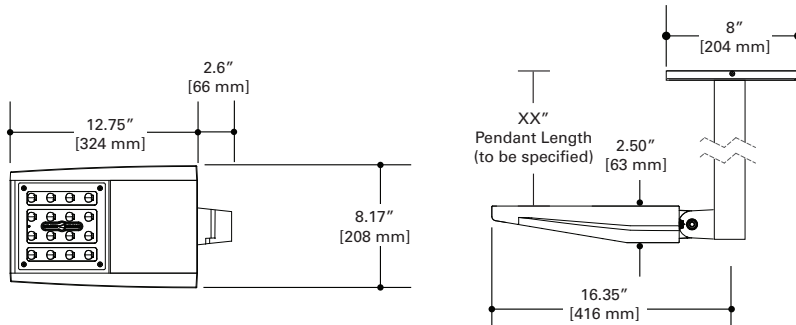
ASYX-SP S1

LED

Single Pendant
Asymmetric Direct
Asymmetric Indirect

CERTIFICATION DATA
UL/cUL Wet Location Listed
LM79 / LM80 Compliant
IP66 Rated

ENERGY DATA
>0.9 Power Factor
<20% Total Harmonic Distortion
120V - 277V 50/60 Hz
-30°C Min Temperature
40°C Max Temperature

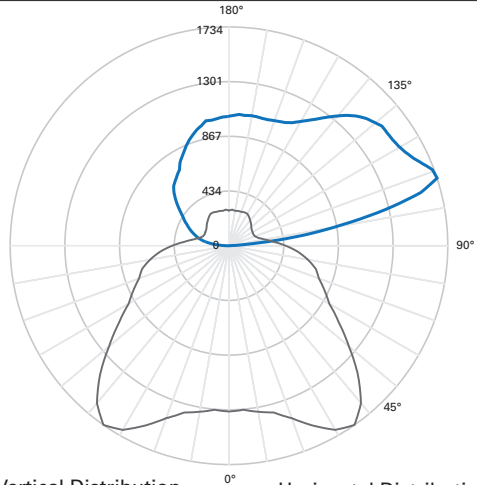


ORDERING INFORMATION

Sample Number: ASYX-SP-S1-ID-U-F-L35-1-UNV-W-R-36-STD-SV-R90

Series	Mounting	Size	Light Level	Environment	Orientation ⁽¹⁾	Distribution	Color Temperature	# of Circuits	Input Voltage
ASYX = Asymmetric LED Luminaire	SP = Single Pendant	S = Small	1 = 1 Light Square (see Color Temp for CCT, lumen output, and wattage)	ID = Indoor OD = Outdoor NT = Natatorium	U = Uplight D = Down light	F = Forward Throw W = Wide Throw	L27 = 3805 lumens 55 watts forward throw L30 = 4003 lumens 55 watts forward throw L35 = 4200 lumens 55 watts forward throw L40 = 4740 lumens 55 watts forward throw L27 = 3851 lumens 55 watts wide throw L30 = 4051 lumens 55 watts wide throw L35 = 4251 lumens 55 watts wide throw L40 = 4797 lumens 55 watts wide throw	1	UNV
Finish	Mounting Surface	Pendant Length	Driver	Integral Control ⁽¹⁾ (Optional)	Optical Orientation (Optional)	Options (Optional)	Accessories ⁽²⁾ (Optional)		
W = White S = Silver B = Black Z = Bronze C = Custom Color	R = Mounting Plate C = Surface Canopy AR = Adjustable sloped Adapter for recessed junction box AC = Adjustable sloped Adapter for surface mount (conduit)	24 = (24" pendant stem) 30 = (30" pendant stem) 36 = (36" pendant stem) 48 = (48" pendant stem) — = Custom length. (Specify length from 24" to 120")	STD = Standard 0-10V 5LTDAC = Fifth Light DALI DAC	SV = Integral Occupancy Sensor/ Daylight Sensor	R90 = Optics Rotated 90° right from standard L90 = Optics Rotated 90° left from standard 180 = Optics Rotated 180° from standard	RM = Rigid Fixed Knuckle FM = Flush Mount	ISHH-01-A = Programming Remote for integrated sensor ISHH-02-A = Personal Control Remote for integrated sensor		

PHOTOMETRICS



FILE NAME: ASYX-S-1-F-X-X-L40-1-STD-UNV

LAMP: 4000K LEDs

LUMENS: 4740

INPUT WATTS: 54.7 W

EFFICACY: 86.7 LPW

TEST REPORT: P166562

ZONAL

Zone	Lumens	% Fixture
90°-100°	151.5	3.2
100°-110°	637	13.4
110°-120°	867.3	18.3
120°-130°	851.4	18.0
130°-140°	770.4	16.3
140°-150°	620.6	13.1
150°-160°	457.7	9.7
160°-170°	286.5	6.0
170°-180°	97.6	2.1
0°-180°	4739.8	100

Vertical Distribution through peak candela

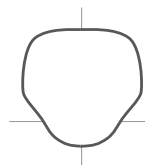
Horizontal Distribution through peak candela

LUMEN MAINTENANCE

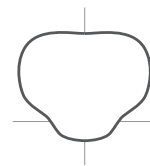
Ambient Temperature	TM-21 Lumen Maintenance (60,000 Hours)	Theoretical L90 (Hours)
25°C	> 96%	130,000
35°C	> 93%	91,000
40°C	> 95%	117,000

DISTRIBUTION

F - Forward Throw Distribution



W - Wide Throw Distribution

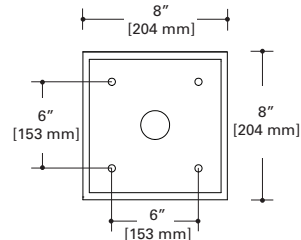
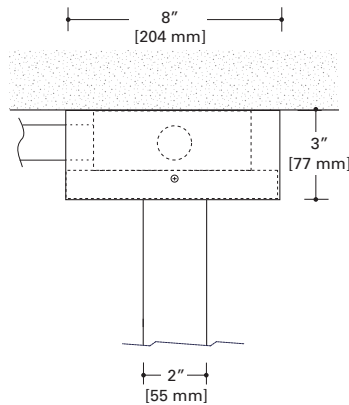
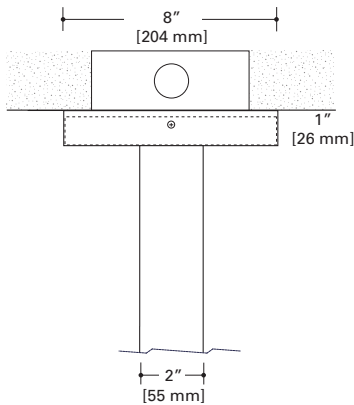


MOUNTING

R - Recessed junction box option: 8.4" x 5" wall plate mounts to standard junction box.

C - Conduit Entry option: Surface metal box fits over standard junction box with conduit entry option on all sides.

Mounting Plate



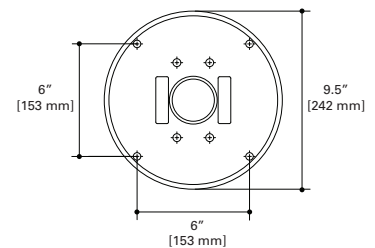
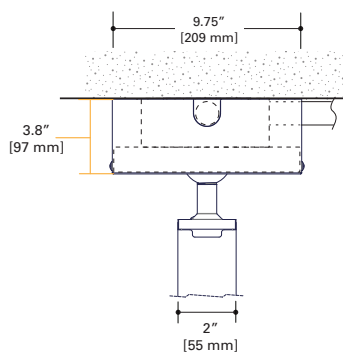
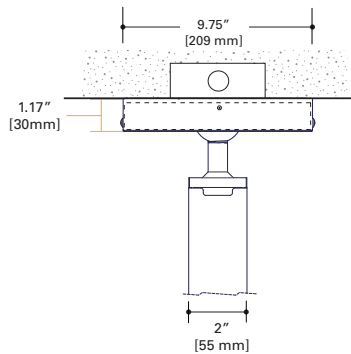
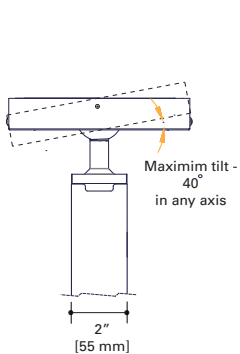
Adjustable Sloped Adapter that can mount in any axis due to ball and socket joint. Available for recessed junction box or surface junction box.

Sloped Adapter has up to 40° tilt in any sloped ceiling condition

AR - Adjustable Sloped Adapter for recessed junction box

AC - Adjustable Sloped Adapter for surface junction box

Mounting Plate



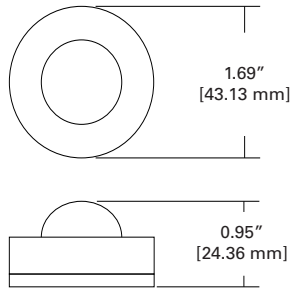
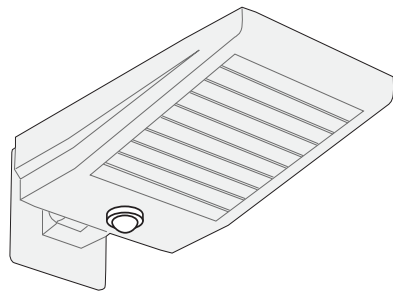
REFERENCE

ASYX 2.0 SUMMARY TABLE

PRODUCT NAME:	SL	S1	S2	S3	S4	L3	L4	L5	L6
NUMBER OF LIGHT SQUARES:	1	1	2	3	4	3	4	5	6
LUMENS:	2970	4797	9812	14745	19761	15304	19929	25565	30162
WATTAGE:	27.5	55	107	158	214	158	214	268	319
LPW:	108	87	92	93	92	97	93	95	95
HID EQUIVALENT:	39W	70W	150W	250W	320W	250W	320W	400W	2 x 250W

Note: Based on 4000K, Wide Throw Distribution

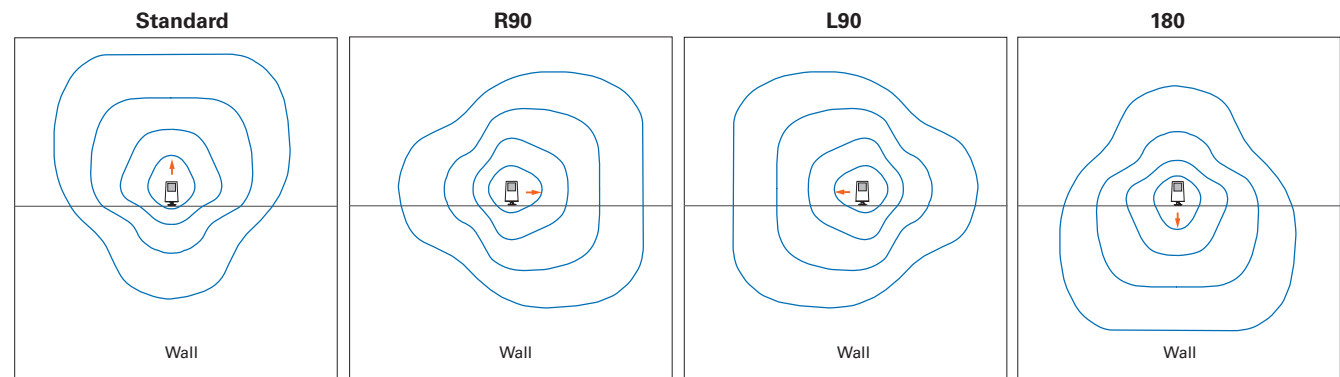
CONTROL



SV - The integral sensor is a fully integrated sensor with no additional wiring or special installation required. Passive infrared occupancy detection is the technology used and the light sensor uses a closed-loop day-light harvester with day, twilight and night settings. Energy Saver setting dims to a lower light level when unoccupied. An infrared receiver is used for programming with a remote control. Indicator light is used for occupancy status and programming confirmation. Integral sensor only controls one fixture unit.

ISHH-01-A - Programming Remote for Integrated Sensor
ISHH-02-A - Personal Control Remote for Integrated Sensor

OPTIC ORIENTATION

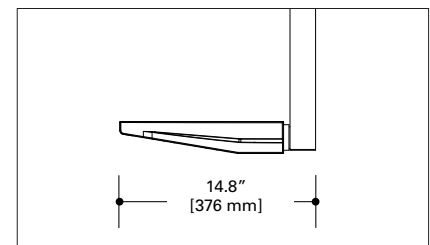
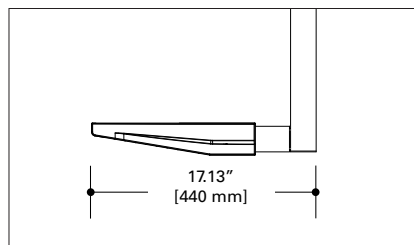
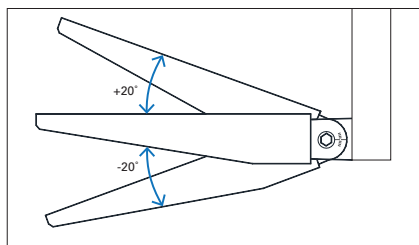


AIMING

The ASYX 2.0 features +/-20° adjustable aiming as standard

RM - Optional rigid knuckle mount for downward facing, fixed applications. Available in standard optic orientation only.

FM - Optional flush mount option for minimized affect. FM option is not adjustable.



TECHNICAL NOTES

1. Integral Sensor cannot be selected in "D", downlight orientation. Integral sensor available in single circuit option only and is not available with DALI option. Integral sensor optimum coverage height: 8ft for SL/S1/S2 and 40ft for S3/S4/L3/L4/L5/L6. Integral sensor color is white for "White" finish selection and brown for "silver, bronze, or black" finish selections.
2. See "Control" section for explanation.

DESCRIPTION

The ASYX 2.0 second generation of asymmetric lighting is designed for general ambient illumination and accenting architectural features. The luminaire allows for both forward and wide distributions as well four different color temperatures to accommodate any space. The ASYX 2.0 utilizes the patented and highly efficient AccuLED Optics™ system for industry leading performance. IP66 rated and optional natorium finish.

SPECIFICATION FEATURES

Construction

Heavy-wall die cast aluminum end caps with extruded aluminum housing. Housing fins allow for air flow and thermal management. Fixture is rated to 40°C. Weight: 12 lbs (Includes housing and knuckle. Pendant stem weight varies)

Electrical

Standard drivers feature electronic universal voltage (120-277V/ 50-60 Hz), greater than 0.9 power factor, less than 20% harmonic distortion, and ambient temperature range of 40°C (104°F) to minimum starting temp of -30°C (-22°F). 0-10V dimming standard with DALI option available. Max amp draw @ 120V is 1.5 Amps.

LED Optics

ASYX 2.0 luminaire utilizes patented, high efficiency AccuLED Optics with specific optical distributions. Each lens is injection molded for precision, arranged and sealed onto a board substrate. LEDs are industry leading high output with standard product at 93% lumen maintenance at 60,000 hours. Offered in 80+ CRI for 2700K.

3000K, and 3500K CCT, and 70+ CRI for 4000K CCT. The ASYX 2.0 also offers +/- 90°, or 180° rotated optics.

Mounting

Die cast adjustable knuckle, bolts to housing. Fixture mounts to recessed junction box (by others) using wall plate, or surface mount box with conduit entry option. See installation instructions for mounting conditions to ensure adequate support. Fixture has continuous adjustability, 20° up to 20° down with locking mechanism, as well as upward facing or downward facing.

Finish

Fixture housing is coated using electrostatically charged polyester powder coat paint for superior protection against fade and wear. Mounting plate and all accessories to match specified color of luminaire housing. Standard colors include white, silver, black, bronze, and custom RAL color match available.

Compliance

Components are UL recognized and luminaires are cULus listed for 40°C

ambient environments, wet location listed, and RoHS compliant. IP66 Rated.

Environment

Suited for indoor, outdoor (wet location listed, IP66 rated)

Natorium

Construction consists of specialized protective coating on all metal components, stainless steel hardware, and sealed LEDs. 80% lumen maintenance at 60,000 hours. Salt Fog testing per ASTM B117-73.

Control

Standard offering is 0-10V dimming and energy saving integral sensor device available. 0-10V dimming current draw is 0.2 mA per driver. Digital Addressable Lighting Interface (DALI) driver option can be used with Fifth Light Technology.

Life and Warranty

Standard five-year limited warranty on all parts.



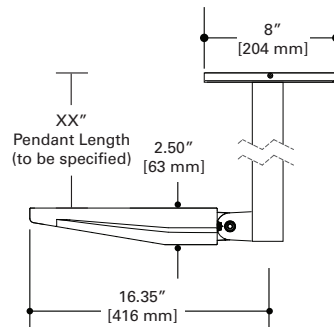
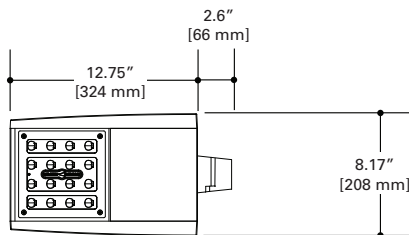
ASYX-SP S1

LED

Single Pendant
Asymmetric Direct
Asymmetric Indirect

CERTIFICATION DATA
UL/cUL Wet Location Listed
LM79 / LM80 Compliant
IP66 Rated

ENERGY DATA
>0.9 Power Factor
<20% Total Harmonic Distortion
120V - 277V 50/60 Hz
-30°C Min Temperature
40°C Max Temperature

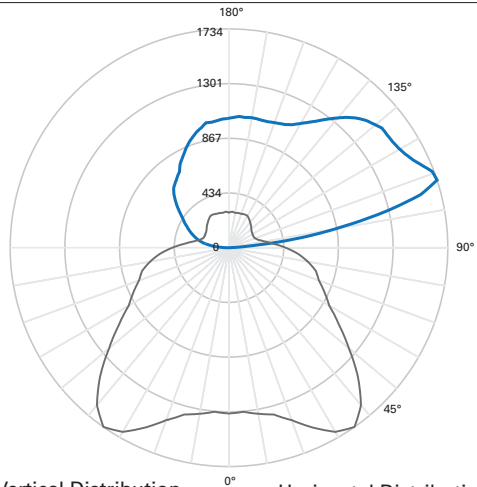


ORDERING INFORMATION

Sample Number: ASYX-SP-S1-ID-U-F-L35-1-UNV-W-R-36-STD-SV-R90

Series	Mounting	Size	Light Level	Environment	Orientation ⁽¹⁾	Distribution	Color Temperature	# of Circuits	Input Voltage
ASYX = Asymmetric LED Luminaire	SP = Single Pendant	S = Small	1 = 1 Light Square (see Color Temp for CCT, lumen output, and wattage)	ID = Indoor OD = Outdoor NT = Natatorium	U = Uplight D = Down light	F = Forward Throw W = Wide Throw	L27 = 3805 lumens 55 watts forward throw L30 = 4003 lumens 55 watts forward throw L35 = 4200 lumens 55 watts forward throw L40 = 4740 lumens 55 watts forward throw L27 = 3851 lumens 55 watts wide throw L30 = 4051 lumens 55 watts wide throw L35 = 4251 lumens 55 watts wide throw L40 = 4797 lumens 55 watts wide throw	1	UNV
Finish	Mounting Surface	Pendant Length	Driver	Integral Control ⁽¹⁾ (Optional)	Optical Orientation (Optional)	Options (Optional)	Accessories ⁽²⁾ (Optional)		
W = White S = Silver B = Black Z = Bronze C = Custom Color	R = Mounting Plate C = Surface Canopy AR = Adjustable sloped Adapter for recessed junction box AC = Adjustable sloped Adapter for surface mount (conduit)	24 = (24" pendant stem) 30 = (30" pendant stem) 36 = (36" pendant stem) 48 = (48" pendant stem) — = Custom length. (Specify length from 24" to 120")	STD = Standard 0-10V 5LTDAC = Fifth Light DALI DAC	SV = Integral Occupancy Sensor/ Daylight Sensor	R90 = Optics Rotated 90° right from standard L90 = Optics Rotated 90° left from standard 180 = Optics Rotated 180° from standard	RM = Rigid Fixed Knuckle FM = Flush Mount	ISHH-01-A = Programming Remote for integrated sensor ISHH-02-A = Personal Control Remote for integrated sensor		

PHOTOMETRICS



FILE NAME: ASYX-S-1-F-X-X-L40-1-STD-UNV

LAMP: 4000K LEDs

LUMENS: 4740

INPUT WATTS: 54.7 W

EFFICACY: 86.7 LPW

TEST REPORT: P166562

ZONAL LUMEN DISTRIBUTION

Zone	Lumens	% Fixture
90°-100°	151.5	3.2
100°-110°	637	13.4
110°-120°	867.3	18.3
120°-130°	851.4	18.0
130°-140°	770.4	16.3
140°-150°	620.6	13.1
150°-160°	457.7	9.7
160°-170°	286.5	6.0
170°-180°	97.6	2.1
0°-180°	4739.8	100

Vertical Distribution through peak candela

Horizontal Distribution through peak candela

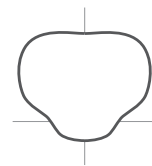
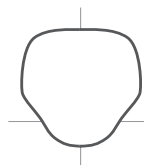
LUMEN MAINTENANCE

Ambient Temperature	TM-21 Lumen Maintenance (60,000 Hours)	Theoretical L90 (Hours)
25°C	> 96%	130,000
35°C	> 93%	91,000
40°C	> 95%	117,000

DISTRIBUTION

F - Forward Throw Distribution

W - Wide Throw Distribution

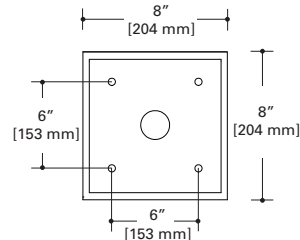
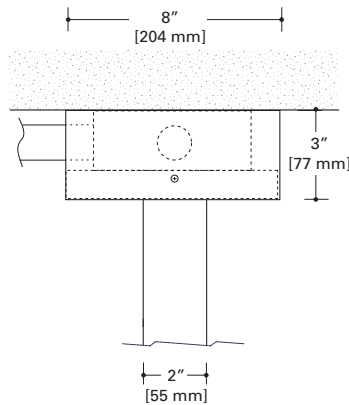
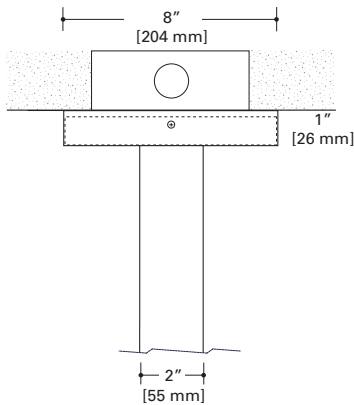


MOUNTING

R - Recessed junction box option: 8.4" x 5" wall plate mounts to standard junction box.

C - Conduit Entry option: Surface metal box fits over standard junction box with conduit entry option on all sides.

Mounting Plate



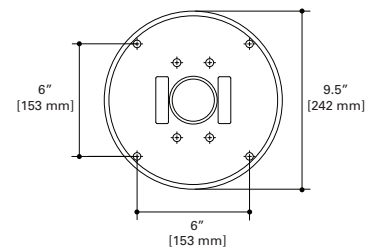
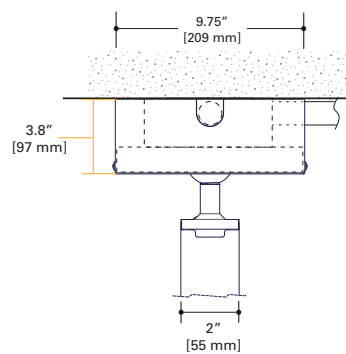
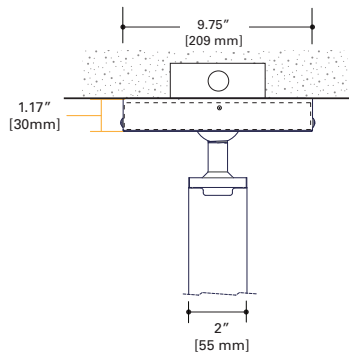
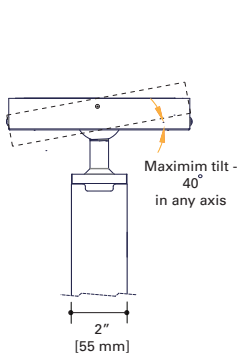
Adjustable Sloped Adapter that can mount in any axis due to ball and socket joint. Available for recessed junction box or surface junction box.

Sloped Adapter has up to 40° tilt in any sloped ceiling condition

AR - Adjustable Sloped Adapter for recessed junction box

AC - Adjustable Sloped Adapter for surface junction box

Mounting Plate



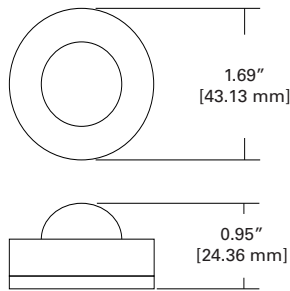
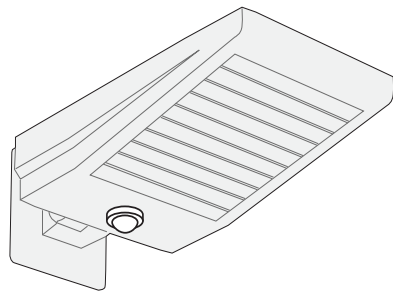
REFERENCE

ASYX 2.0 SUMMARY TABLE

PRODUCT NAME:	SL	S1	S2	S3	S4	L3	L4	L5	L6
NUMBER OF LIGHT SQUARES:	1	1	2	3	4	3	4	5	6
LUMENS:	2970	4797	9812	14745	19761	15304	19929	25565	30162
WATTAGE:	27.5	55	107	158	214	158	214	268	319
LPW:	108	87	92	93	92	97	93	95	95
HID EQUIVALENT:	39W	70W	150W	250W	320W	250W	320W	400W	2 x 250W

Note: Based on 4000K, Wide Throw Distribution

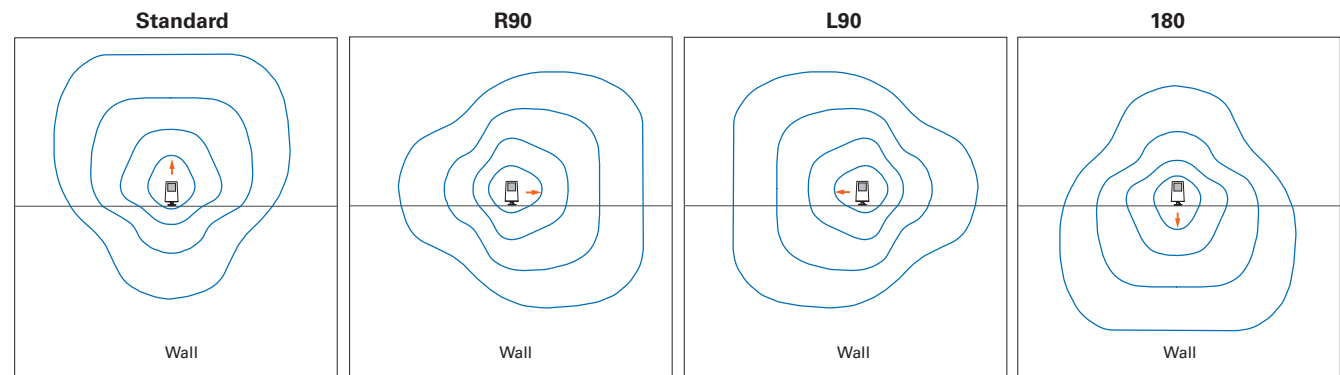
CONTROL



SV - The integral sensor is a fully integrated sensor with no additional wiring or special installation required. Passive infrared occupancy detection is the technology used and the light sensor uses a closed-loop day-light harvester with day, twilight and night settings. Energy Saver setting dims to a lower light level when unoccupied. An infrared receiver is used for programming with a remote control. Indicator light is used for occupancy status and programming confirmation. Integral sensor only controls one fixture unit.

ISHH-01-A - Programming Remote for Integrated Sensor
ISHH-02-A - Personal Control Remote for Integrated Sensor

OPTIC ORIENTATION

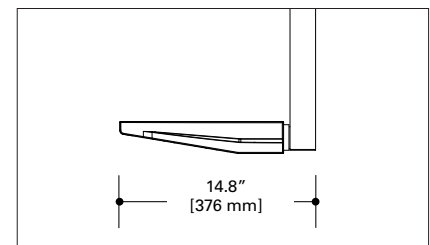
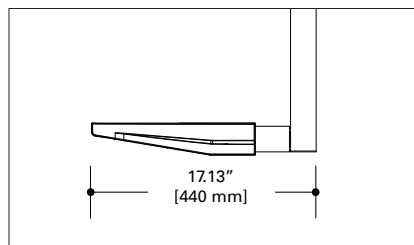
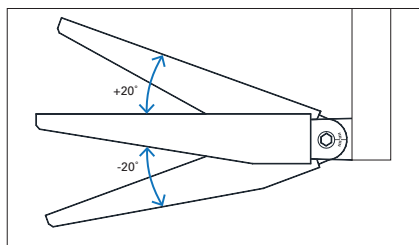


AIMING

The ASYX 2.0 features +/-20° adjustable aiming as standard

RM - Optional rigid knuckle mount for downward facing, fixed applications. Available in standard optic orientation only.

FM - Optional flush mount option for minimized affect. FM option is not adjustable.



TECHNICAL NOTES

1. Integral Sensor cannot be selected in "D", downlight orientation. Integral sensor available in single circuit option only and is not available with DALI option. Integral sensor optimum coverage height: 8ft for SL/S1/S2 and 40ft for S3/S4/L3/L4/L5/L6. Integral sensor color is white for "White" finish selection and brown for "silver, bronze, or black" finish selections.
2. See "Control" section for explanation.

Aloft

Kathleen Kenny

DESCRIPTION

6 inch round or square surface mount cylinder in choice of matte black, white, bronze or silver paint can be used to blend with or accent various architectural styles. Designed for ceiling mount, wall mount, aircraft cable or stem mount. Offered with narrow, medium, or wide beam downlight or wall wash trims. Featuring a two-stage diffused reflector system producing smooth distribution with excellent light control and low aperture brightness. Lumen packages range from 1000 to 4000 with color temperatures of 2400K, 2700K, 3000K, 3500K, 4000K, and 5000K. Available with dim-to-warm technology – similar to halogen at full power, the 3000K LED warms smoothly as dimmed to 1850K creating a rich warm glow within the space.

SPECIFICATION FEATURES

Reflector

Spun aluminum lower reflector or painted die cast aluminum with a lensed upper optical chamber providing superior lumen output with minimal source brightness. Square surface mount available with square or round reflectors. Reflectors are offered in all Portfolio Alzak® finishes.

Trim Retention

Lower reflector is retained with two torsion springs holding the flange tightly to the cylinder.

Housing

Round seamless .050 spun aluminum housing or soft square extruded aluminum available in white, bronze, silver or matte black.

Mounting

Mounting plate installs to mounted junction box, cylinder mounts to plate with easy twist and lock hooks for ceiling mount. For wall

mount, mounting arm attached directly to junction box via a robust mounting plate.

Thermal

Aluminum heat sink conducts heat away from the LED module for optimal performance and long life.

LED

Chip on board with a multitude of highly efficient white LED's, combined with a high reflectance upper reflector and convex transitional lens produce even distribution with no pixilation. Rated for 50,000 hours at 70% lumen maintenance. Color variation within 3-step MacAdam ellipses. Quick disconnect allows for tool-less replacement of LED engine from below ceiling. Available in 80, 90 or 97 CRI. D2W™ – dim-to-warm shifts CCT from 3000K to 1850K as fixture dims mimicking halogen sources.

Driver

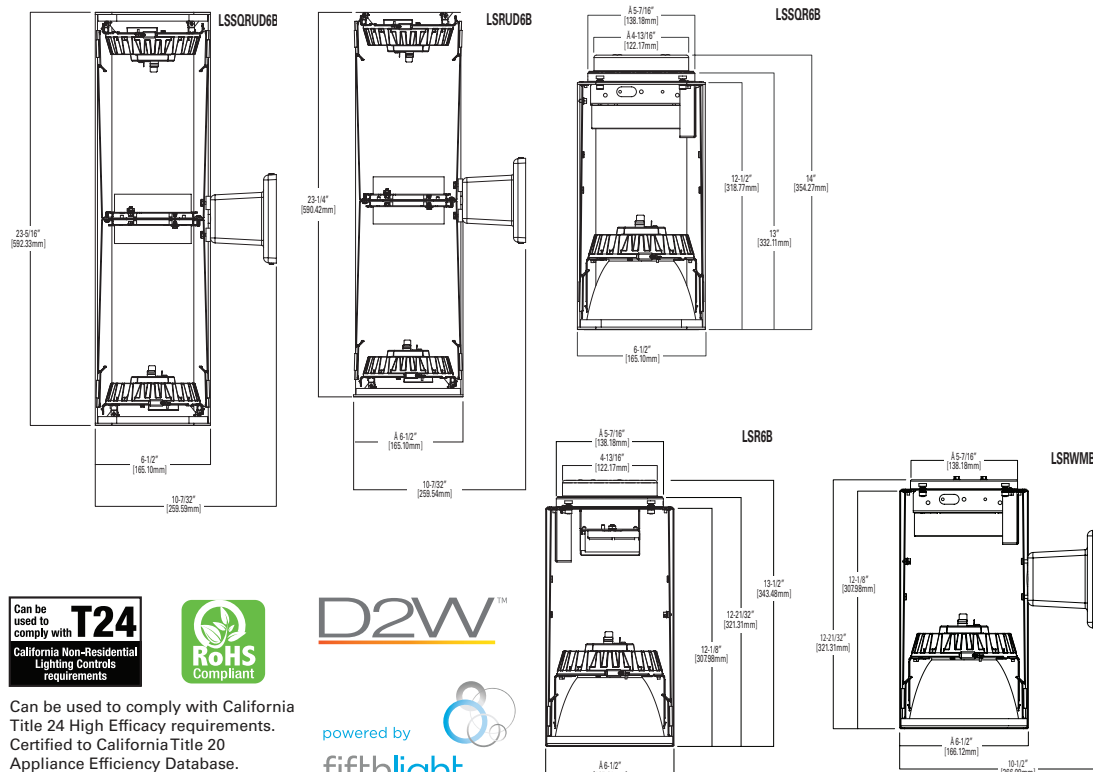
Standard 120-277V 0-10V dimming driver provides flicker free dimming from 100% to 1%. Optional 120V leading edge, <1% 0-10V, Fifth Light, DMX or Lutron®. Driver can be serviced.

Code Compliance

Surface mount are cULus listed for wet locations with covered ceiling. Pendant mount are cULus listed for damp locations. EMI/RFI emissions per FCC 47CFR Part 18 Class B consumer limits. RoHS Compliant. Photometric testing completed in accordance with IES LM 79 standards. LED life testing completed in accordance with LM 80 standards.

Warranty

5-year warranty



**LSR6B / LSRWM6B
/ LSRUD6B
LSSQR6B /
LSSQRWM6B /
LSSQRUD6B
EC6B
6LBW
6LBM
6LBN
6LBSW
1000 - 4000 Lumens LED**

**6-Inch Round or Square
Cylinder Downlight**

ALZ-03

Revision Date:

ORDERING INFORMATION

SAMPLE NUMBER: LSR6B15D010MB

Housing	Lumens ¹	Driver	Cylinder Finish
LSR6B = LED 6" Aperture, Round Surface Mount LSRWM6B = LED 6" Aperture, Round Surface Wall Mount LSRUD6B = LED 6" Aperture, Surface Wall Mount Up/Down (requires 2 trims and power modules) LSSQR6B = LED 6" Round Aperture, Square Surface Mount (uses round trim) LSSQRWM6B = LED 6" Round Aperture, Square Surface Wall Mount (uses round trim) LSSQRUD6B = LED 6" Round Aperture, Square Surface Wall Mount Up/Down (2 trims and power module required)	10 =1000 lumens 15 =1500 lumens 20 =2000 lumens Surface and WM only 30 =3000 lumens 40 =4000 lumens	1000 - 4000 Lumen D010 = 120-277V 0-10V 1% Dimming D010TR = 0-10V or line voltage dimming, 5% to 100% DE010 = 0-10V Dimming, 0% to 100%, 120V-277V D5LT = Fifth Light® (DALI) Dimming, 0% to 100%, 120V-277V DMX = DMX Dimming, 0% to 100%, 120V-277V DL2 = 1 to 100% Dimming, 120V Lutron® Hi-Lume Forward Phase Dimming DL3 = 1 to 100% Dimming, 120-277V Lutron® Hi-Lume 3 Wire DLE = Lutron Ecosystem dimming 1% to 100%, 120V-277V	P = White MB = Matte Black SL = Painted Silver BZ = Bronze

SAMPLE NUMBER: EC6B10208035

Power Module	Lumen Levels ¹	CRI	Color
EC6B =6" Cylinder LED Module	1020 =1000, 1500, 2000 lumens 3040 =3000, 4000 lumens (for surface and wall mount only, not up/down) D2W 10 =1000 lumen D2W 15 =1500 lumen D2W 20 =2000 lumen D2W	80 =80 CRI Minimum 90 =90 CRI Minimum 97 =97 CRI Minimum	80 CRI 27 =2700K 30 =3000K 35 =3500K 40 =4000K 50 =5000K 90 CRI 24 =2400K 27 =2700K 30 =3000K 35 =3500K 40 =4000K 50 =5000K 30D2W =1850-3000K Dim 2 Warm (2000 lumen and below, 90 CRI) ⁶

SAMPLE NUMBER: 6LBM0LI

Trim	Distribution ²	Flange	Finish
6LB =6" LED	N =Narrow (25° Beam), Spun Aluminum M =Medium (50° Beam), Spun Aluminum W =Wide (75° Beam), Spun Aluminum S =Shallow (75° Beam), Spun Aluminum CS =Cast Shallow (75° Beam), Die Cast Aluminum SW =Single Wall Wash, Spun Aluminum DW =Double Wall Wash, Spun Aluminum PS =Plastic	0 =White Polymer rim Ring (use with spun reflector) 3 =Rimless (use with die cast)	LI =Specular Clear ³ H =Semi-Specular Clear ³ WMH =Warm Haze ³ WH =Wheat ³ GPH =Graphite Haze ³ B =Specular Black ³ MW =Matte White MB =Matte Black ⁷ MMS =Matte Metallic Silver ⁶

Accessories

Pendant Kit

P836P=36" white pendant stem kit
P836BZ=36" bronze pendant stem kit
P836MB=36" matte black pendant stem kit
P836SL=36" silver pendant stem kit

Type

Blank=5 conductor for use with 0-10V driver
3C=3 conductor for use with 120 or 277V
5C= conductor for use with D5L drivers
6C=6 conductor for use with DL3
DMX=No conductors for use with DMX driver¹⁰

Aircraft cable

AC120P=120" white aircraft cable kit
P48P=48" white aircraft cable kit
AC120MB=120" black aircraft cable kit
AC48MB=48" black aircraft cable kit

Notes:

- Nominal Lumens will vary depending on selected color, driver and reflector finish.
- Beam angles are nominal with LI finish trims.
- Not available on CS or BA distributions.
- Only available with Matte White and Matte Black Finishes.
- Only available on BA distribution.
- Available only on CS distributions.
- Available with BA and CS distributions.

ENERGY

ENERGY DATA
Sound Rating: Class A standards
(Values at non-dimming line voltage)
Minimum Starting Temperature: -30°C (-22°F)
EMI/RFI: FCC Title 47 CFR, Part 15, Class B (Consumer)
Input Voltage: UNV (120V - 277V)
Power Factor: >0.90 (at nominal input 120-277 VAC & 100% of Rated Output Power)
Input Frequency: 50/60Hz

1000 Lumen D010		1500 Lumen D010	
Input Power: 11W	THD: <14%	Input Power: 15.5W	THD: <13%
120V Input Current: 0.09A	277V Input Current: 0.04A	120V Input Current: 0.13A	277V Input Current: 0.06A

2000 Lumen D010		3000 Lumen D010	
Input Power: 21.2W	THD: <9%	Input Power: 27.6W	THD: <10%
120V Input Current: 0.18A	277V Input Current: 0.08A	120V Input Current: 0.23A	277V Input Current: 0.10A

4000 Lumen D010	
Input Power: 41.6W	THD: <13%
120V Input Current: 0.35A	277V Input Current: 0.15A

Lumens	120V		277V	
	Inrush (A)	Duration (ms)	Inrush (A)	Duration (ms)
1000 Lumen D010	1.02	0.041	2.18	0.021
1500 Lumen D010	1.02	0.042	2.24	0.064
2000 Lumen D010	1.02	0.077	2.43	0.027
3000 Lumen D010	1.15	0.067	3.26	0.027
4000 Lumen D010	1.2	0.088	3.9	0.03

ALZ-03
 Revision Date:

PHOTOMETRY

NARROW (25° BEAM)		CANDLEPOWER DISTRIBUTION		CONE OF LIGHT		CANDELA TABLE		ZONAL LUMEN SUMMARY			LUMINANCE		
Test Number	P201217					Degrees Vertical	Candela	Zone	Lumens	% Fixture	Average Candela Degrees	Average 0° Luminance	
Housing	LD6B15D010					0	2709	0-30	960	80.4	45	677	
Module	EU6B10208035					5	2526	0-40	1149	96.2	55	76	
Trim	6LBN1LI					15	1468	0-60	1193	99.9	65	26	
Lumens	1195					25	708	0-90	1195	100	75	0	
Efficacy	83.6 Lm/W	35	299	90-180	0	0	85	0					
SC	0.53	45	44	0-180	1195	100							
		D	FC	L	W								
		5.5'	90	2.8	2.8								
		7'	55	3.6	3.6								
		8'	42	4.2	4.2								
		9'	33	4.6	4.6								
		10'	27	5.2	5.2								
		12'	19	6.2	6.2								
				D	FC	L	W						
				5.5'	56	4.6	4.6						
		7'	34	5.8	5.8								
		8'	26	6.6	6.6								
		9'	21	7.6	7.6								
		10'	17	8.4	8.4								
		12'	12	10	10								
				D	FC	L	W						
				5.5'	32	6.6	6.6						
		7'	20	8.6	8.6								
		8'	15	9.8	9.8								
		9'	12	11	11								
		10'	10	12.2	12.2								
		12'	7	14.6	14.6								
				D	FC	L	W						
				5.5'	24	6.2	6.2						
		7'	15	8	8								
		8'	11	9.2	9.2								
		9'	9	10.4	10.4								
		10'	7	11.6	11.6								
		12'	5	13.8	13.8								
				D	FC	L	W						
				5.5'	24	6.2	6.2						

ALZ-03

Revision Date:

PHOTOMETRY

NARROW (25° BEAM)		CANDLEPOWER DISTRIBUTION		CONE OF LIGHT		CANDELA TABLE		ZONAL LUMEN SUMMARY			LUMINANCE																													
Test Number	P201218	Downlight				Degrees Vertical	Canдела	Zone	Lumens	% Fixture	Average Candela Degrees	Average 0° Luminance																												
Housing	LD6B40D010			<table border="1"> <thead> <tr> <th>D</th> <th>FC</th> <th>L</th> <th>W</th> </tr> </thead> <tbody> <tr><td>5.5'</td><td>255</td><td>2.8</td><td>2.8</td></tr> <tr><td>7'</td><td>158</td><td>3.6</td><td>3.6</td></tr> <tr><td>8'</td><td>121</td><td>4.2</td><td>4.2</td></tr> <tr><td>9'</td><td>95</td><td>4.6</td><td>4.6</td></tr> <tr><td>10'</td><td>77</td><td>5.2</td><td>5.2</td></tr> <tr><td>12'</td><td>54</td><td>6.2</td><td>6.2</td></tr> </tbody> </table>		D	FC	L	W	5.5'	255	2.8	2.8	7'	158	3.6	3.6	8'	121	4.2	4.2	9'	95	4.6	4.6	10'	77	5.2	5.2	12'	54	6.2	6.2	0	7716	0-30	2735	80.4	45	1928
D	FC	L	W																																					
5.5'	255	2.8	2.8																																					
7'	158	3.6	3.6																																					
8'	121	4.2	4.2																																					
9'	95	4.6	4.6																																					
10'	77	5.2	5.2																																					
12'	54	6.2	6.2																																					
Module	EU6B30508035					5	7196	0-40	3274	96.2	55	215																												
Trim	6LBN1LI					15	4183	0-60	3399	99.9	65	74																												
Lumens	3404					25	2017	0-90	3404	100	75	0																												
Efficacy	81.4 Lm/W					35	853	90-180	0	0	85	0																												
SC	0.53					45	126	0-180	3404	100																														
						55	11																																	
						65	3																																	
						75	0																																	
						85	0																																	
						90	0																																	

MEDIUM (50° BEAM)		CANDLEPOWER DISTRIBUTION		CONE OF LIGHT		CANDELA TABLE		ZONAL LUMEN SUMMARY			LUMINANCE																													
Test Number	P201216	Downlight				Degrees Vertical	Canдела	Zone	Lumens	% Fixture	Average Candela Degrees	Average 0° Luminance																												
Housing	LD6B40D010			<table border="1"> <thead> <tr> <th>D</th> <th>FC</th> <th>L</th> <th>W</th> </tr> </thead> <tbody> <tr><td>5.5'</td><td>159</td><td>4.6</td><td>4.6</td></tr> <tr><td>7'</td><td>98</td><td>5.8</td><td>5.8</td></tr> <tr><td>8'</td><td>75</td><td>6.6</td><td>6.6</td></tr> <tr><td>9'</td><td>59</td><td>7.6</td><td>7.6</td></tr> <tr><td>10'</td><td>48</td><td>8.4</td><td>8.4</td></tr> <tr><td>12'</td><td>33</td><td>10</td><td>10</td></tr> </tbody> </table>		D	FC	L	W	5.5'	159	4.6	4.6	7'	98	5.8	5.8	8'	75	6.6	6.6	9'	59	7.6	7.6	10'	48	8.4	8.4	12'	33	10	10	0	4794	0-30	2819	73.6	45	3303
D	FC	L	W																																					
5.5'	159	4.6	4.6																																					
7'	98	5.8	5.8																																					
8'	75	6.6	6.6																																					
9'	59	7.6	7.6																																					
10'	48	8.4	8.4																																					
12'	33	10	10																																					
Module	EU6B30508035					5	4731	0-40	3602	94	55	370																												
Trim	6LBM1LI					15	3946	0-60	3819	99.7	65	251																												
Lumens	3831					25	2829	0-90	3831	100	75	205																												
Efficacy	91.7 Lm/W					35	1226	90-180	0	0	85	0																												
SC	0.85					45	216	0-180	3831	100																														
						55	20																																	
						65	10																																	
						75	5																																	
						85	0																																	
						90	0																																	

WIDE (75° BEAM)		CANDLEPOWER DISTRIBUTION		CONE OF LIGHT		CANDELA TABLE		ZONAL LUMEN SUMMARY			LUMINANCE																													
Test Number	P201214	Downlight				Degrees Vertical	Canдела	Zone	Lumens	% Fixture	Average Candela Degrees	Average 0° Luminance																												
Housing	LD6B40D010			<table border="1"> <thead> <tr> <th>D</th> <th>FC</th> <th>L</th> <th>W</th> </tr> </thead> <tbody> <tr><td>5.5'</td><td>91</td><td>6.6</td><td>6.6</td></tr> <tr><td>7'</td><td>56</td><td>8.6</td><td>8.6</td></tr> <tr><td>8'</td><td>43</td><td>9.8</td><td>9.8</td></tr> <tr><td>9'</td><td>34</td><td>11</td><td>11</td></tr> <tr><td>10'</td><td>27</td><td>12.2</td><td>12.2</td></tr> <tr><td>12'</td><td>19</td><td>14.6</td><td>14.6</td></tr> </tbody> </table>		D	FC	L	W	5.5'	91	6.6	6.6	7'	56	8.6	8.6	8'	43	9.8	9.8	9'	34	11	11	10'	27	12.2	12.2	12'	19	14.6	14.6	0	2742	0-30	2236	51.7	45	13769
D	FC	L	W																																					
5.5'	91	6.6	6.6																																					
7'	56	8.6	8.6																																					
8'	43	9.8	9.8																																					
9'	34	11	11																																					
10'	27	12.2	12.2																																					
12'	19	14.6	14.6																																					
Module	EU6B30508035					5	2742	0-40	3439	79.5	55	3006																												
Trim	6LBW1LI					15	2778	0-60	4301	99.4	65	430																												
Lumens	4326					25	2600	0-90	4326	100	75	234																												
Efficacy	103.5 Lm/W					35	1957	90-180	0	0	85	0																												
SC	1.23					45	899	0-180	4326	100																														
						55	159																																	
						65	17																																	
						75	6																																	
						85	0																																	
						90	0																																	

SHALLOW (75° BEAM)		CANDLEPOWER DISTRIBUTION		CONE OF LIGHT		CANDELA TABLE		ZONAL LUMEN SUMMARY			LUMINANCE																													
Test Number	P35144	Downlight				Degrees Vertical	Canдела	Zone	Lumens	% Fixture	Average Candela Degrees	Average 0° Luminance																												
Housing	LD6B40D010			<table border="1"> <thead> <tr> <th>D</th> <th>FC</th> <th>L</th> <th>W</th> </tr> </thead> <tbody> <tr><td>5.5'</td><td>67</td><td>6.2</td><td>6.2</td></tr> <tr><td>7'</td><td>41</td><td>8</td><td>8</td></tr> <tr><td>8'</td><td>32</td><td>9.2</td><td>9.2</td></tr> <tr><td>9'</td><td>25</td><td>10.4</td><td>10.4</td></tr> <tr><td>10'</td><td>20</td><td>11.6</td><td>11.6</td></tr> <tr><td>12'</td><td>14</td><td>13.8</td><td>13.8</td></tr> </tbody> </table>		D	FC	L	W	5.5'	67	6.2	6.2	7'	41	8	8	8'	32	9.2	9.2	9'	25	10.4	10.4	10'	20	11.6	11.6	12'	14	13.8	13.8	0	2022	0-30	1506	34.2	45	17139
D	FC	L	W																																					
5.5'	67	6.2	6.2																																					
7'	41	8	8																																					
8'	32	9.2	9.2																																					
9'	25	10.4	10.4																																					
10'	20	11.6	11.6																																					
12'	14	13.8	13.8																																					
Module	EU6B30508035					5	2005	0-40	2399	54.5	55	14033																												
Trim	6LBCS1MMS					15	1897	0-60	3921	89	65	9486																												
Lumens	4403					25	1697	0-90	4403	100	75	3933																												
Efficacy	105.3 Lm/W					35	1430	90-180	0	0	85	348																												
SC	1.16					45	1119	0-180	4403	100																														
						55	743																																	
						65	370																																	
						75	94																																	
						85	3																																	
						90	0																																	

line™ 2.0

INTERIOR/EXTERIOR APPLICATIONS

SYMMETRIC

ALZ-04

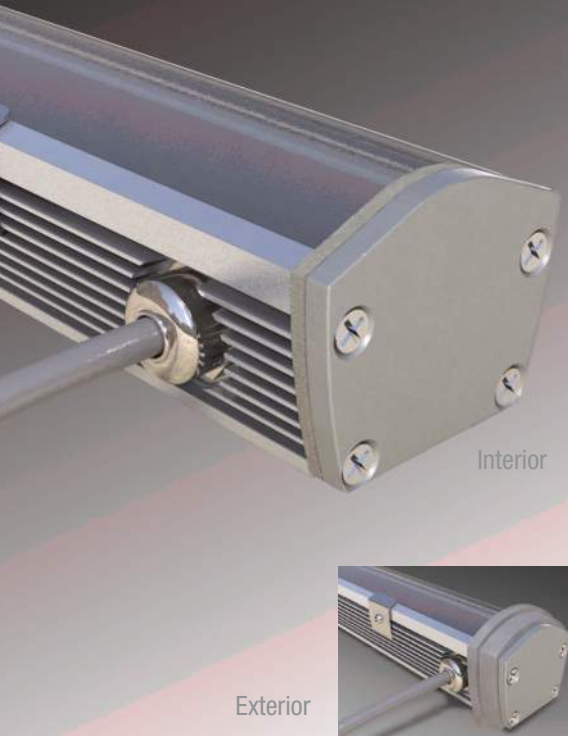
Revision Date:

ALZ-05

Revision Date:

ALZ-06

Revision Date:



Interior

Exterior

5-year warranty

Application

io Lighting's **line series 2.0** is approximately 2"x 2" in cross section, which allows for luminous accents to be delivered from "tight" architectural details. This low voltage linear luminaire may be specified for interior or exterior applications. Nominal lengths include 18", 36", 54" and 72". Precise beam spreads of 5°, 10°, 30°, 60° and 90° along the perpendicular axis of the fixture are well suited for accent or general illumination. io's proprietary "grazing" allows the luminaire to be placed right next to a vertical surface and wash it uniformly. Individual units may be placed end to end to create continuous rows without obvious shadows between fixtures. **series 2.0's** patented optical assembly is designed to practically eliminate stray light, making it perfect for applications where light pollution and/or light trespass are important design considerations.

Projected average rated life is 50,000 hours at 70% of lamp lumen output. Ambient temperature surrounding the fixture shall not exceed 122°F (50°C).

Light Output

series 2.0 is available with four lumen outputs for white light only. Refer to light output tables for footcandle values at various distances. All values below represent the initial raw lumens of the LED. IES format photometry of Lighting Facts labels represent actual light output measured in lumens and candle power. Light Output losses include optical, thermal and power supply inefficiencies. IES LM-79 format files may be obtained from the factory or downloaded from www.iolighting.com. All products have a CRI greater than 80. Results are typical measurements.

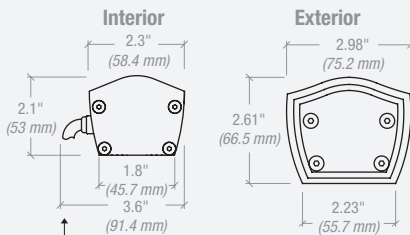
>> 2-step MacAdam Binning.

	Standard Output	Mid Output	Very High Output	V2HO
INITIAL LUMENS				
2700K White:	267 lms/ft	445 lms/ft	534 lms/ft	785 lms/ft
3000K White:	280 lms/ft	466 lms/ft	560 lms/ft	823 lms/ft
3500K White:	287 lms/ft	479 lms/ft	575 lms/ft	845 lms/ft
4000K White:	290 lms/ft	488 lms/ft	585 lms/ft	860 lms/ft
POWER CONSUMPTION*				
	3.39 w/ft	5.09 w/ft	7.12 w/ft	10.52 w/ft

Non-standard color temperatures available as a custom offering for a modest additional cost and lead-time.

* Power Consumption does not include power supply losses.

Dimensions



Dimension includes electrical feed and wire bending radius.

Construction

Heavy-duty aluminum housing provides required thermal management. Precision optics are composed of a customized acrylic material offering excellent light transmission and UV stability. High strength adhesive bonds the housing and patented optical assembly. Fabrication methods differ for each application. Exterior rated fixtures are sealed for life while interior rated fixtures are designed with a quick disconnect to enable the printed circuit board to be changed in the field. Interior fixtures may be sent back to the factory to change printed circuit board.

Mounting Options

series 2.0 may be surface mounted, side surface mounted or surface mounted with field adjustability and lockable aiming. Alternate mounting brackets available upon request. Consult factory for details.

Electrical

4'-0", 14 AWG UV rated electrical feed is side mounted to enable continuous row mounting. For detailed information regarding remote distance limitations, power supply options, and dimming options consult the io website (www.iolighting.com) or an io representative.

DRIVER REMOTE DISTANCE

46'-0" (14.0m) w/14AWG
71'-0" (21.6m) w/12AWG
120'-0" (36.6m) w/10AWG

Finish

Anodized aluminum finish is standard. Custom finishes may be available upon request.

io Lighting

A Program of the U.S. DOE

Light Output (Lumens)	1511
Watts	34
Lumens per Watt (Efficacy)	44
Color Accuracy <small>Color Rendering Index (CRI)</small>	85
Light Color <small>Correlated Color Temperature (CCT)</small>	2974 (Warm White)
Warranty**	Yes

All results, except LED Lumen Maintenance, are according to IESNA LM-79-2008: Approved Method for the Electrical and Photometric Testing of Solid-State Lighting. The U.S. Department of Energy (DOE) verifies product test data and results.

** See www.lightingfacts.com/products for details.

Registration Number: PNE4-1NTRJ (7/12/2013)
Model Number: 0.05V2.1.3K.05.1.36
Type: Other

Label references 36" line 2.0 symmetric fixture with a 5° beam spread in V2HO 3000K. Lighting Facts for additional beam spreads and light output levels may be obtained from io Lighting.

ALZ-04

Revision Date:

ALZ-05

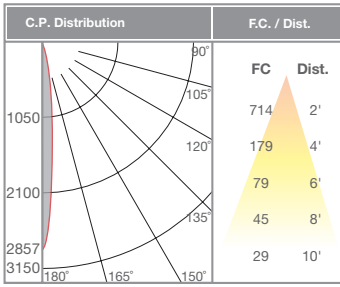
Revision Date:

ALZ-06

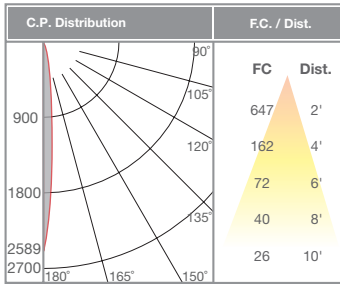
Revision Date:

Light Output / Distributions

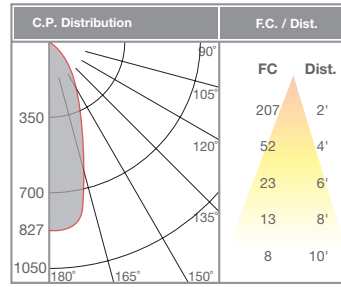
36" 3KV2HO 5 DEGREE*



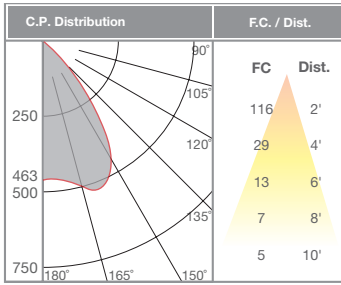
36" 3KV2HO 10 DEGREE*



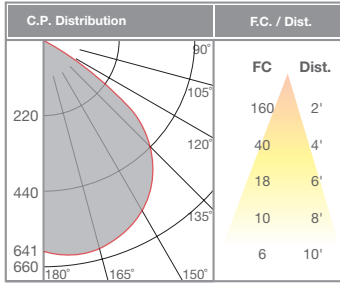
36" 3KV2HO 30 DEGREE*



36" 3KV2HO 60 DEGREE*



36" 3KV2HO 90 DEGREE*



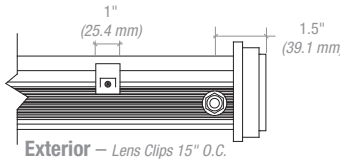
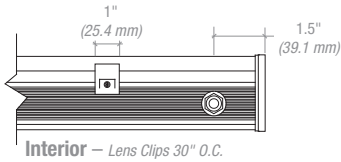
LIGHT OUTPUT CONVERSION TABLE

White	Standard Output	High Output	Very High Output	V2HO
2700K	0.44 ⁽¹⁾	0.72 ⁽¹⁾	0.95 ⁽¹⁾	1.40 ⁽¹⁾
3000K	0.47 ⁽¹⁾	0.75 ⁽¹⁾	1.00 ⁽¹⁾	1.47 ⁽¹⁾
3500K	0.48 ⁽¹⁾	0.77 ⁽¹⁾	1.03 ⁽¹⁾	1.51 ⁽¹⁾
4000K	0.47 ⁽¹⁾	0.75 ⁽¹⁾	1.00 ⁽¹⁾	1.47 ⁽¹⁾

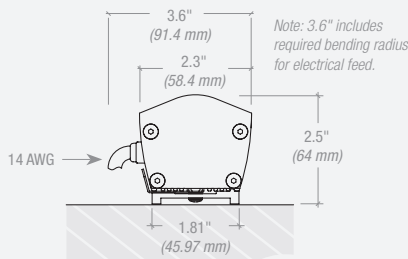
Visit www.iolighting.com or contact an io representative for IES format photometrics.

* Note: Light output / distributions based on IES file

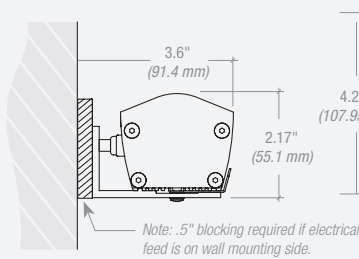
End Cap Detail



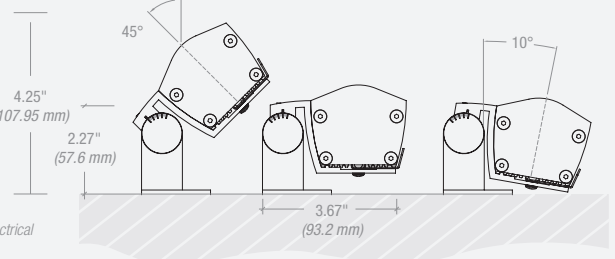
Mounting Options



100 Surface (io part #: LA.BK.SURFMT)



101 Side surface (io part #: LA.BK.WALLMT)



102 Field adjustable with lockable aiming (io part #: LA.BK.ADJMT)

Order Code

0	05V2	E	3K	30	102	1	72	UNV		
io	1	2	3	4	5	6	7	8	9	10
1. LIGHT OUTPUT		4. DISTRIBUTION		7. LENGTH		9. SPECIFY DRIVER / DIMMING				
04 2.0 SO		5 5°		18 18" (17.71"/449.83mm)		Note: If not specified otherwise, io will supply 100 watt drivers. Download Power Supply specification sheet from www.iolighting.com .				
05 2.0 HO		10 10°		36 36" (34.71"/881.63mm)						
05V 2.0 VHO		30 30°		54 54" (51.71"/1313.43mm)						
05V2 2.0 V2HO		60 60°		72 72" (68.71"/1745.23mm)						
2. LOCATION		90SYM 90° SYM		8. VOLTAGE / DIMMING		10.				
I Interior		Note: Grazing already included in optics		SIDE FEED STANDARD		CE Available upon request.				
E Exterior		5. MOUNTING		1 120v						
		100 Surface		2 277v						
		101 Side surface		3 120v w/dim						
		102 Field adjustable		4 277v w/dim						
3. COLOR		6. FINISH		5 Other (International voltage)						
27K White 2700K ⁽¹⁾		1 Anodized aluminum								
3K White 3000K ⁽¹⁾		2 Custom color								
35K White 3500K ⁽¹⁾										
4K White 4000K ⁽¹⁾										
CC Custom Color ⁽²⁾										

Footnotes

Consult factory for other CCT options.
 1. White light variance between LEDs is equal to or better than 3-step MacAdam Binning.
 2. Non-standard color temperature and CRI are available. Consult factory for availability.

Configure LENGTH as needed to meet linear run requirements

YouTube
line 2.0 applications
youtube.com/iolighting

Entrance Mat

Issue Date: 29 JAN 2018

Revision Date:

Item Name	Entry Mat
Description:	Entry walk-off mat
Manufacturer:	Mats Inc.
Product:	Modular diagonal tile
Color:	07 Charcoal
Content:	100% solution-dyed UV stabilized polypropylene fibers
Dimensions:	19-11/6" x 19-11/16" (50 cm x 50 cm) approximately 2.7 sq ft per tile 3/8" overall thickness
Weight:	131 oz total weight
Backing:	Bitumen
Transition:	Schluter zinc divider strip
Quality Standards:	Passes ASTM D2859, CPSC FF 1-70 ASTM C1028 Wet: 0.63 ASTM C1028 Dry: 0.65 Passes ASTM E662
Adhesive:	Not applicable
Lead Time:	Low-Emitting adhesive With a VOC of 70 g/L or less for multipurpose adhesive
Warranty:	3 year limited warranty
Eco Feature(s)* as per manufacturer:	52.05% recycled (post-consumer) Release-Bond VOC: 0 g/L GreenLabelPlus Certified Designed for semi-permanent installation



SPECIAL INSTRUCTIONS

MANUFACTURER	AREAS
MATS INC 800-628-7462 Jim Cave 800-628-7462, jcave@matsinc.com x210	EXTERIOR BUILDING Porte Cochere
ALTERNATE MANUFACTURER 1	
ALTERNATE MANUFACTURER 2	
ALTERNATE MANUFACTURER 3	

Exterior Aluminum Louver



Issue Date: 28 JUL 2017

Revision Date: 29 JAN 2018

Item Name	Aluminum Louver
Manufacturer:	Reliable
Product:	AGK-AEL 42
Content:	Aluminum
Color:	Clear Anodized
Pattern:	Not applicable
Thickness:	TBD
Dimensions:	Varies
Lead Time:	TBD
Warranty:	Seller warrants to Buyer that the Products will be free from defects in material and workmanship for a period of 5 years following the date of delivery to the Delivery Location.
Eco-Feature(s) *as per manufacturer:	Not Applicable

SPECIAL INSTRUCTIONS

<p>MANUFACTURER Reliable Products 800-239-4621 Customer Services / Sales</p>	<p>AREAS EXTERIOR BUILDING Exterior Building</p>
<p>ALTERNATE MANUFACTURER 1</p>	
<p>ALTERNATE MANUFACTURER 2</p>	
<p>ALTERNATE MANUFACTURER 3</p>	

Exterior Canopy



Issue Date: 28 JUL 2017

Revision Date: 29 JAN 2018

Item Name	Ornamental Roof Structure
Description:	Pre-engineered roof feature inclusive of structure and roofing
Manufacturer:	Madison Industries
Soffit:	Refer to ESO-001
Vertical Surface:	Refer to EEF-005
Dimensions:	Refer to drawings
Lead Time:	TBD
Warranty:	A one year parts and labor warranty is provided for items manufactured by Madison Industries. The manufactures warranty will be passed on for any parts not manufactured by Madison Industries. This warranty is effective as of completion date of field installation.

SPECIAL INSTRUCTIONS

<p>MANUFACTURER</p> <p>Madison Industries 770-483-4401 X3243</p> <p>Sam Frey 562-310-3795 sfrey@madisonind.com</p>	<p>AREAS</p> <p>EXTERIOR BUILDING</p> <p>Roof Feature</p>
<p>ALTERNATE MANUFACTURER 1</p>	
<p>ALTERNATE MANUFACTURER 2</p>	
<p>ALTERNATE MANUFACTURER 3</p>	



Issue Date: 28 JUL 2017

Revision Date: 29 JAN 2018

Item Name	Porte Cochere Canopy
Description:	Pre-engineered canopy
Manufacturer:	Madison Industries
Soffit:	Refer to ESO-001
Trim:	Refer to EWP-004
Roof:	Refer to ERO-002
Dimensions:	Refer to drawings
Lead Time:	TBD
Warranty:	A one year parts and labor warranty is provided for items manufactured by Madison Industries. The manufactures warranty will be passed on for any parts not manufactured by Madison Industries. This warranty is effective as of completion date of field installation.

SPECIAL INSTRUCTIONS

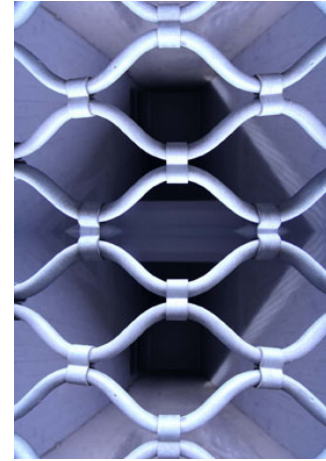
<p>MANUFACTURER</p> <p>Madison Industries 770-483-4401 X3243</p> <p>Sam Frey 562-310-3795 sfrey@madisonind.com</p>	<p>AREAS</p> <p>EXTERIOR BUILDING</p> <p>Porte Cochere Canopy</p>
<p>ALTERNATE MANUFACTURER 1</p>	
<p>ALTERNATE MANUFACTURER 2</p>	
<p>ALTERNATE MANUFACTURER 3</p>	

Exterior Coiling Grille

Issue Date: 28 JUL 2017

Revision Date: 29 JAN 2018

Item Name	Coiling Grille
Description:	Ornamental coiling grille at RE:Fuel area
Manufacturer:	City Gates USA
Product:	Eurogrille
Dimensions:	3'-1" H x 3'-6" W
Color / Finish:	Aluminum finish in galvanized steel
Lead Time:	2-3 weeks
Warranty:	1 year
Eco-Feature(s) *as per manufacturer:	LEED Material Sourced Locally
Note:	Lift up by hand with 2" frame



SPECIAL INSTRUCTIONS

<p>MANUFACTURER</p> <p>City Gates USA 718-939-9700</p> <p>Vincent Greco 718-939-9700 sales@citygatesusa.com</p>	<p>AREAS</p> <p>EXTERIOR BUILDING</p> <p>Exterior Building</p>
<p>ALTERNATE MANUFACTURER 1</p>	
<p>ALTERNATE MANUFACTURER 2</p>	
<p>ALTERNATE MANUFACTURER 3</p>	

Fencing

Issue Date: **14 FEB 2019**

Revision Date:

Item Name	Exterior Fence
Manufacturer:	ReSawn Timber
Product:	Iruka
Wood Species:	Iruka - Shou Sugi Ban Charred Cypress Burnt and sealed on all 4 sides (Exterior)
Dimensions:	Refer to drawings for dimensions
Finish:	Iruka Charred Finish
Lead Time:	Standard lead time is 7-9 weeks, fixed lengths subject to availability.
Warranty:	N/A



SPECIAL INSTRUCTIONS

<p>MANUFACTURER reSAWN Timber Company 800-985-5355 Chris Crane Chris@chriscranecontract.com</p>	<p>AREAS EXTERIOR SITE Exterior Pool</p>
<p>ALTERNATE MANUFACTURER 1</p>	
<p>ALTERNATE MANUFACTURER 2</p>	
<p>ALTERNATE MANUFACTURER 3</p>	

Issue Date: **14 FEB 2019**

Revision Date:

Item Name	Exterior Fence
Manufacturer:	Aquaview Architectual
Product:	Frameless Glass Pool Fence and AWS Aluminum Gate System
Material:	1/2" tempered clear glass
Opening Size:	Refer to Drawings
Dimensions:	Refer to Drawings
Finish:	Pool Glass Fence: Tempered Clear Glass Gate: Tempered Glass with silver metallic frame
Glass Assembly:	Pool Glass Fence consists of: 1/2" Tempered clear glass panels Glass Surface Mount Clamp Aquaview Clamp - Square design in brushed finish 1/2"x4" stainless steel wedge anchor
Gate Assembly:	AWS Deluxe Gate consists of: Custom aluminum frame Self-closing heavy duty hinges (2) Aluminum posts with steel stanchion inserts
Gate Door Hardware:	Jackson 1200 series panic exit device (36" and 48" widths) Jackson flat lever lock with keyed cylinder
Lead Time:	TBD
Warranty:	2 Year Warranty
General Notes:	Door is required to have card reader access (provided by others). Refer to drawings.



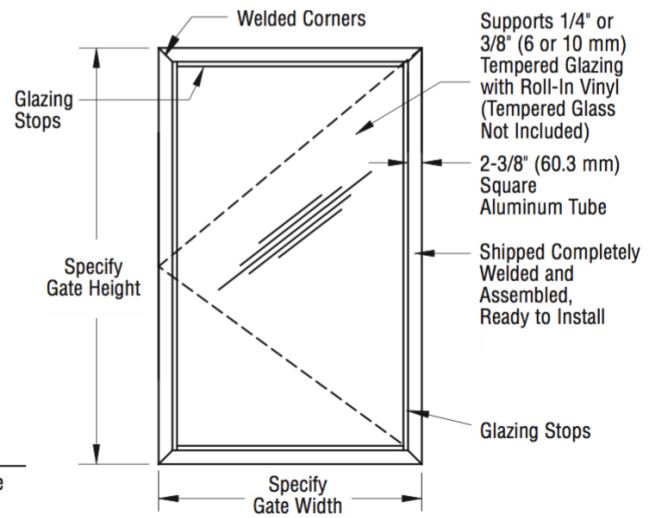
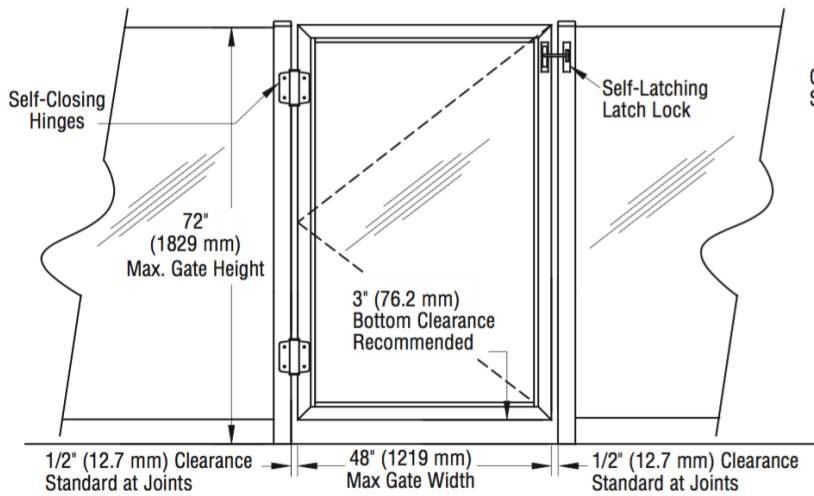
SPECIAL INSTRUCTIONS

<p>MANUFACTURER Aquaview Architectural 1.877.229.7034</p>	<p>AREAS EXTERIOR BUILDING Backyard (Pool Terrace)</p>
<p>ALTERNATE MANUFACTURER 1</p>	
<p>ALTERNATE MANUFACTURER 2</p>	
<p>ALTERNATE MANUFACTURER 3</p>	

Exterior Fencing Cutsheets

SPECIFICATIONS

- Fabrication to code for pool surrounds
- Suitable for apartments, condos, and commercial properties with high foot traffic.
- Gate is up to 48” wide and 72” tall
- Gate is self-closing and self-latching.
- Single or double gate layout available
- We can fabricate custom styles from stock components
- No rusting, binding, or staining
- Available in eight powder-coated finishes



AWS BASIC GATE

- Custom aluminum frame
- Self-closing heavy duty hinges
- Aluminum posts (2) with steel stanchion inserts
- Option #1: Side-Pull Safety Latch
- Option #2: Top-Pull Magna Latch

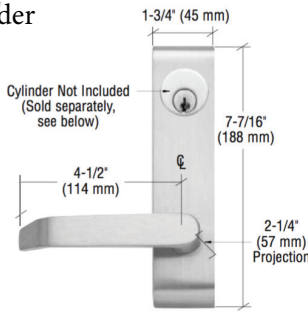


Magnetic Triggering Means No Resistance To Closure



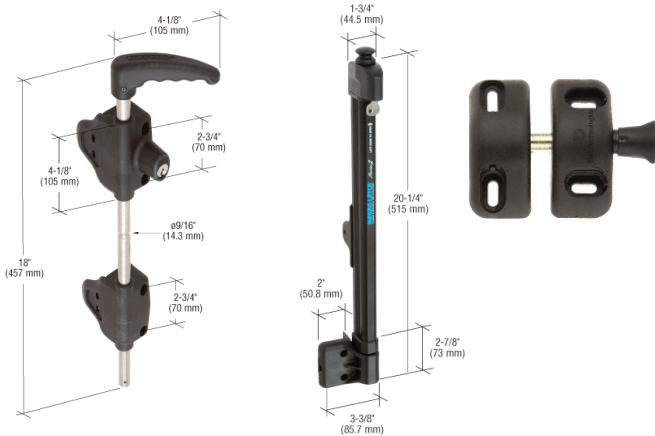
AWS DELUXE GATE

- Custom aluminum frame
- Self-closing heavy duty hinges
- Aluminum posts (2) with steel stanchion inserts
- Jackson 1200 Series Panic Exit Device (36" and 48" widths)
- Jackson Flat Lever Lock w/ Keyed Cylinder



AWS DOUBLE GATE

- Custom aluminum frame (2)
- Self-closing heavy duty hinges
- Aluminum posts (2) with steel stanchion inserts
- Cane Bolt with Lock
- Option #1: Side-Pull Safety Latch
- Option #2: Top-Pull Magna Latch





PROVEN SAFETY

Engineered to meet pool code requirements, Aquaview pool fences are designed to keep children safe. Climb-resistant glass panels allow clear views to monitor children. Pool gates have self-closing latches and hinges.



LOW MAINTENANCE

Made with ½” tempered safety glass and stainless steel, our glass pool fences are resistant to corrosive environments around pools, spas and oceans. Cleaning is easy and infrequent: simply wipe down with mild soapy water every 8 weeks.



2-YEAR WARRANTY

Our glass fences are uniquely engineered to be extremely durable and meet pool codes across the USA. We offer a two year warranty on all our products, and guarantee that your system will continue looking great for a lifetime.

SPECIFICATIONS

- Gives an elegant frameless look to pool fencing and deck applications.
- Core-mount and surface-mount clamp styles for 1/2” (12 mm) monolithic and laminated tempered glass.
- Marine grade #316 alloy stainless steel clamps are fully resistant to corrosion around pools and coastal environments.
- No vertical posts are used between the panels of glass; they are solely supported from the bottom by these high strength clamps.
- Clamps available in brushed stainless or polished stainless finish, round or square design.
- Each clamp comes with a rubber spacer and metal plate.
- NOTE: For mounting to wood, must have a minimum of 4” wood blocking underneath deck surface.



SURFACE MOUNT CLAMP
Square Design
Polished Finish



SURFACE MOUNT CLAMP
Square Design
Brushed Finish



SURFACE MOUNT CLAMP
Round Design
Polished Finish



SURFACE MOUNT CLAMP
Round Design
Brushed Finish



CORE MOUNT CLAMP
Square Design
Polished Finish



CORE MOUNT CLAMP
Square Design
Brushed Finish

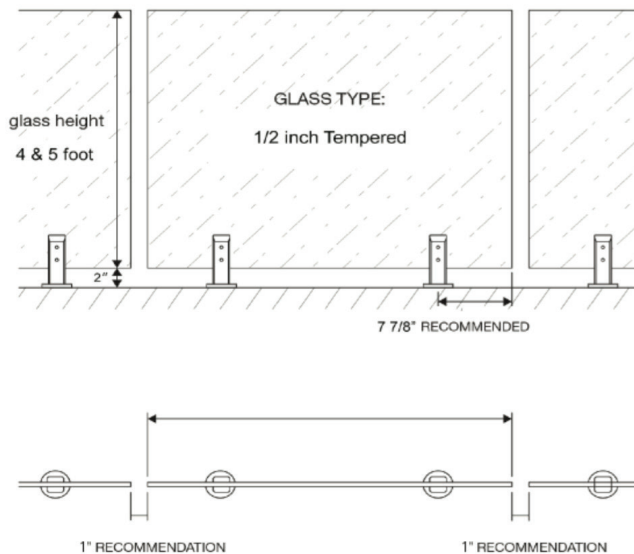


CORE MOUNT CLAMP
Round Design
Polished Finish

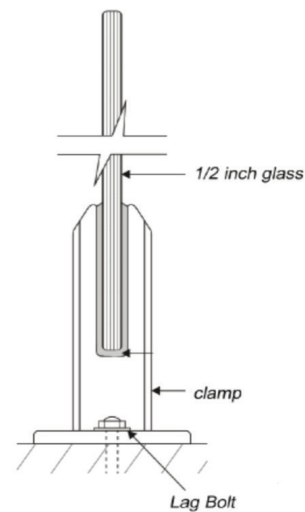


CORE MOUNT CLAMP
Round Design
Brushed Finish

LAYOUT



ASSEMBLY



PRINCIPAL:
CALVIN C. LEE

ASSOCIATES:
DOUGLAS P. STREET
KEVIN J. CAPITOLO

TOFT, DE NEVERS & LEE

CONSULTING STRUCTURAL ENGINEERS

111 MAIDEN LANE, SUITE 500
SAN FRANCISCO, CA 94108-5310
415-421-0375 FAX 415-421-2966

Aquaview Architectural
8306 Wilshire Blvd. Suite 647
Beverly Hills, CA 90211
(877)229-7034
www.aquaviewfencing.com

Aquaview frameless glass pool fencing, when used as an enclosure separating a home from a pool, is a drowning prevention safety feature. The glass fencing is not to be used where fall protection is required. The pool fencing is constructed using multiple panels of glass supported by stainless steel clamps. Figure 1 shows the typical glass panel layout, on which this report is based.

The allowable wind load is based on glass panel size. Table 1 shows the allowable wind loads as limited by glass stress and clamp strength. Both need to be considered.

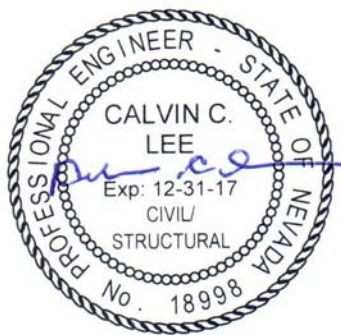
Wind loading and any other local code requirements shall be determined by a qualified professional engineer.



EXP. 10/31/2017



EXP. 4/30/2018



EXP. 4/12/2017



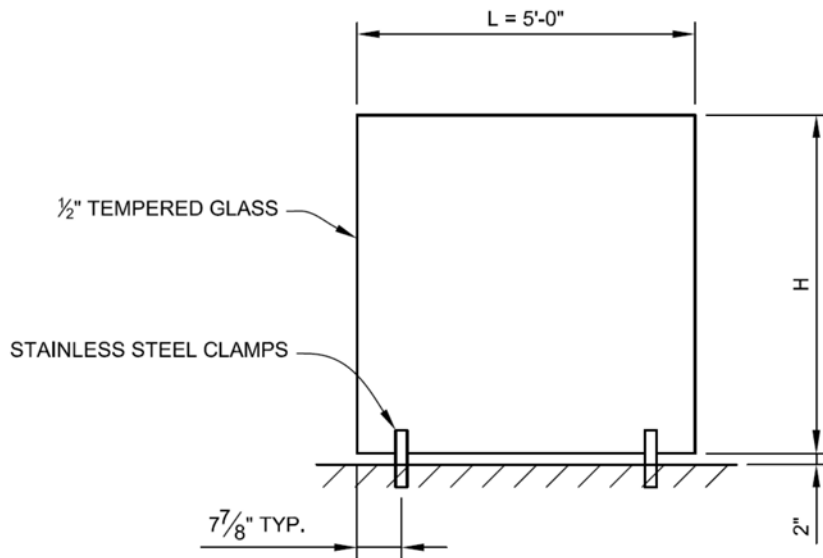


Figure 1. Typical Glass Panel Elevation

Glass Strength

All Glass shall be fully tempered and shall meet the following specifications: ASTM C 1048, ANSI Z97.1 and CPSC 16 CFR 1201. The minimum Modulus of Rupture for the glass is 24,000 psi. The allowable bending stress is 10,600 psi according to ASTM E 1300.

The glass, clamps and uniform wind pressure are modeled using a 3D finite element program, SAP2000 v17. Plots of maximum stress for the 4 feet tall and the 5 feet tall models are shown in Figures 2 and 3. Table 1 lists the loading which produces a maximum stress of 10,600 psi in the panel.

Stainless Steel Glass Clamps

Each lite of glass is held by two stainless steel clamps. Two set screws keep a bearing plate firmly pressed against the glass. This report covers the use of one piece core drilled and base mounted clamps. The specifier shall verify the suitability of the base concrete to support these loads. The following pages show the capacity of the clamps. These are summarized in table 1.

Table 1

		CAPACITY	
		1/2" Temp. Glass	Clamp HA15 & HA16
Width L (in.)	Height H (in.)	W _{all.} (PSF)	W _{all.} (PSF)
60	48	16.3 (= 80mph)	15.0
60	60	9.5 (= 61mph)	9.6

The Wind loads for a specific fence installation should be determined by a qualified professional engineer considering wind speed, exposure, topography, fence layout and other applicable factors.

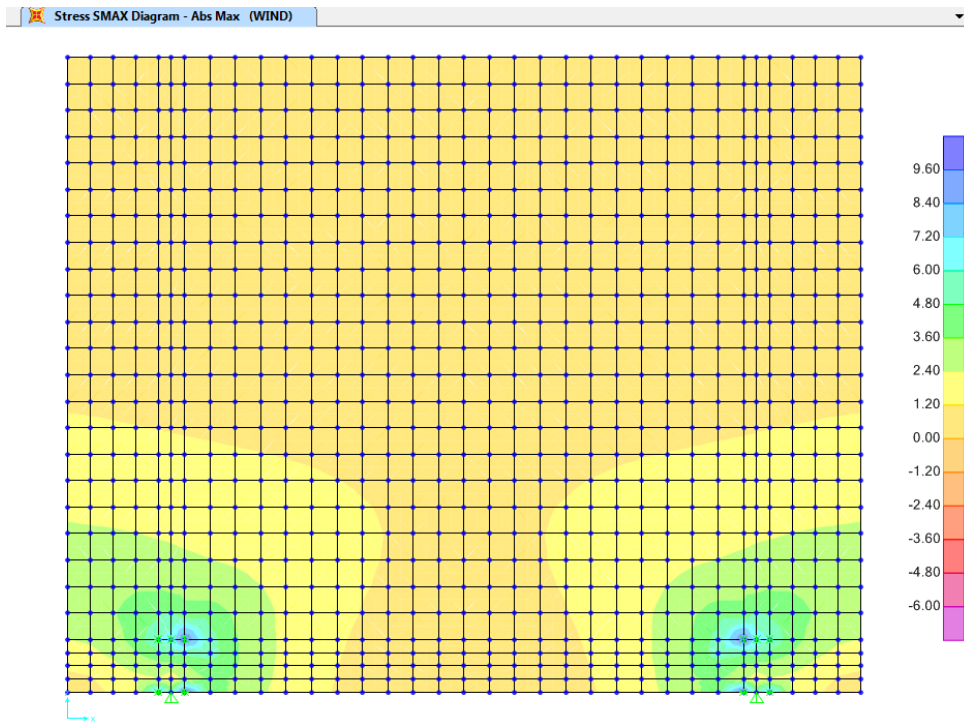


Figure 2. Stress at 4 Feet Tall Panel

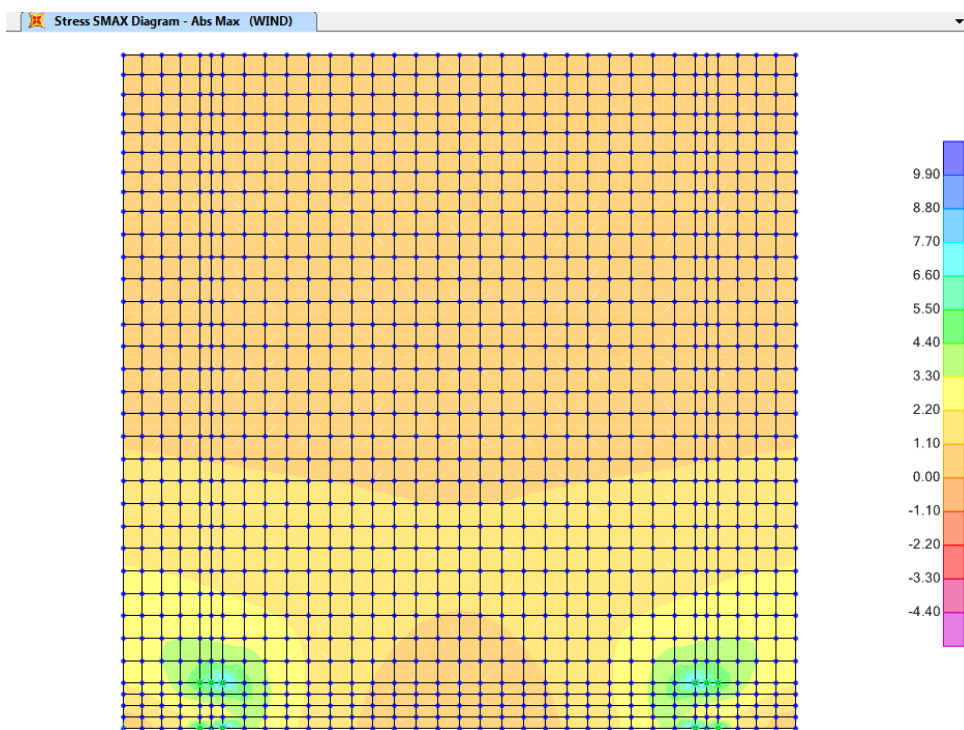


Figure 3. Stress at 5 Feet Tall Panel

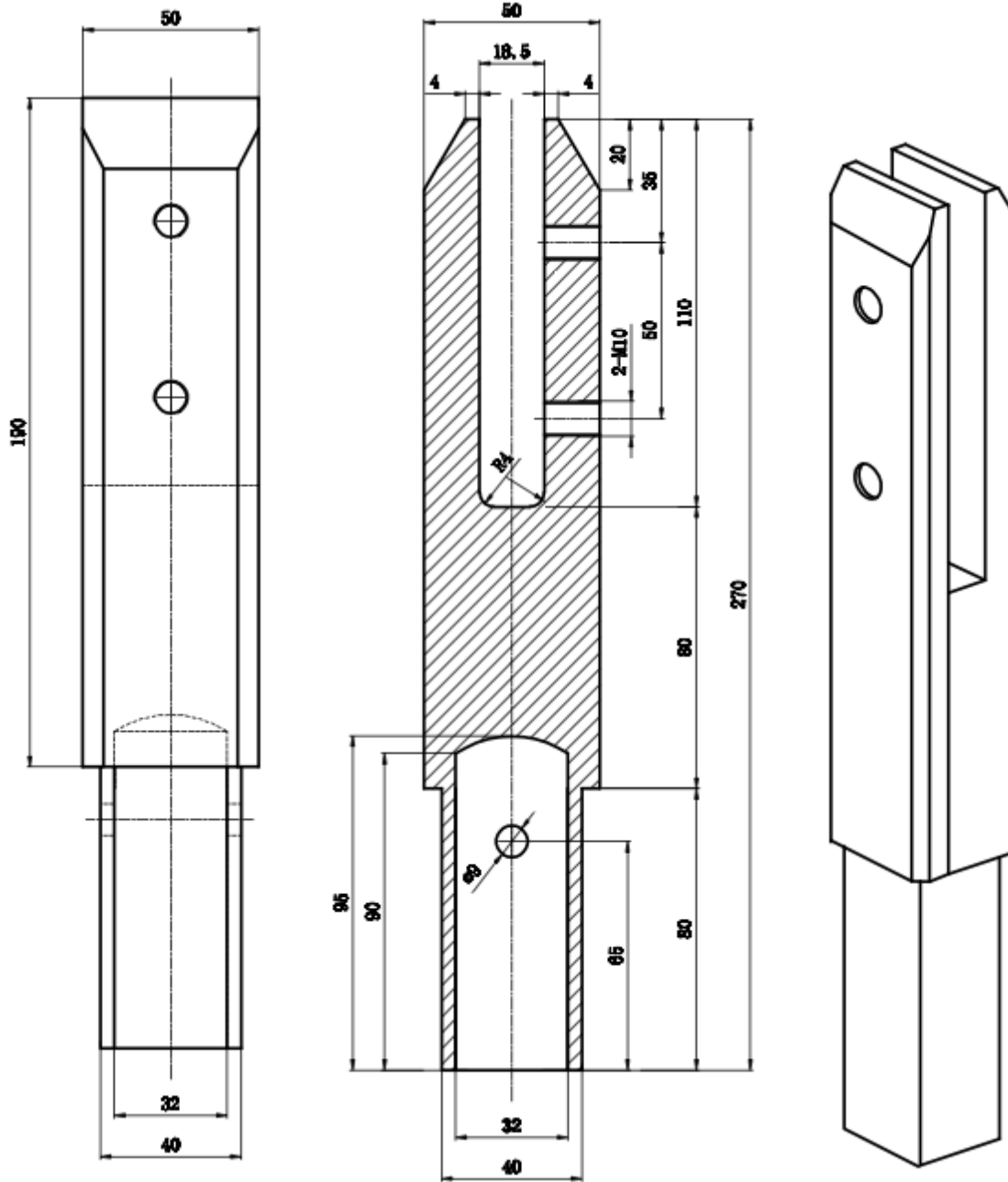


Figure 4. Clamp HA15

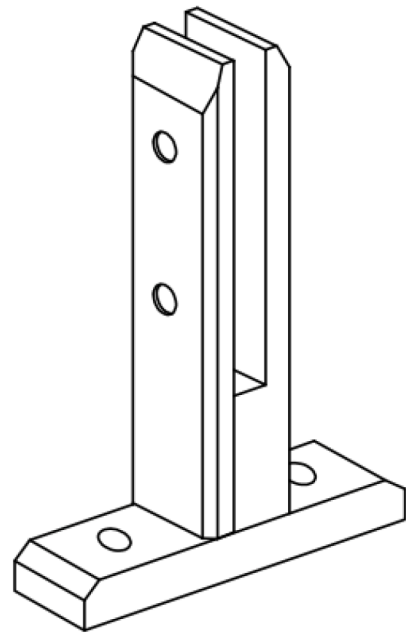
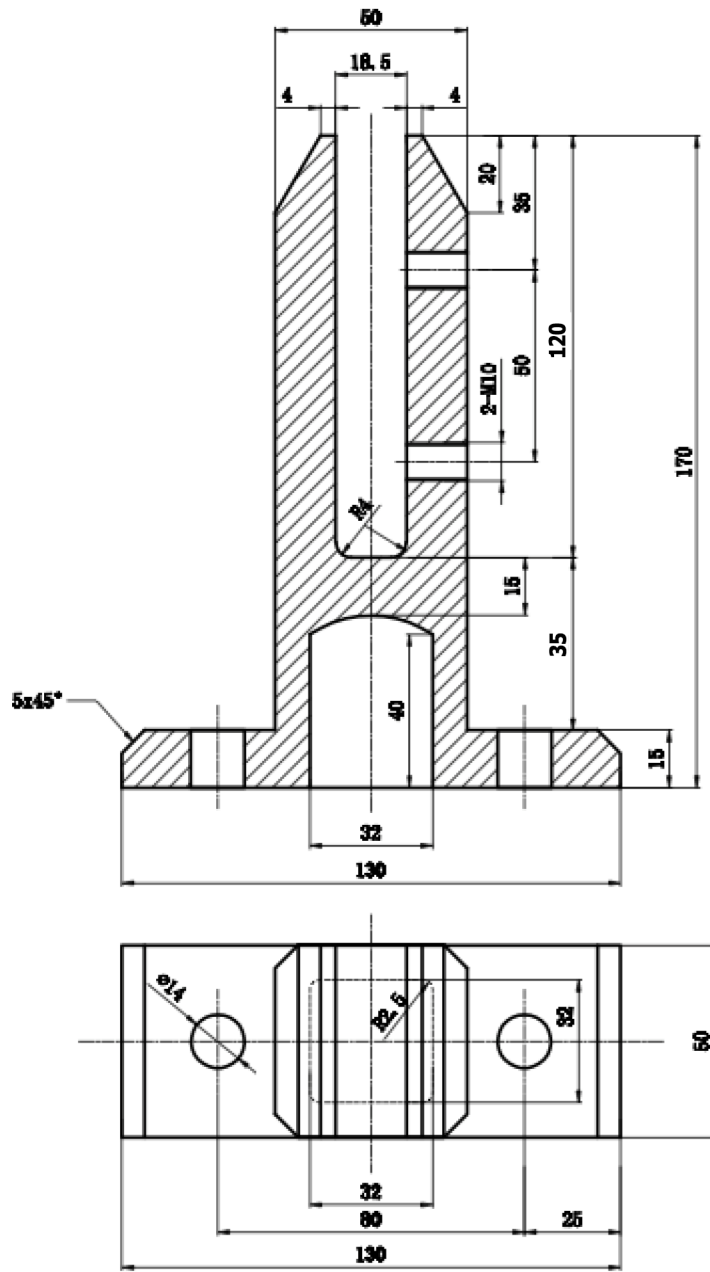


Figure 5. Clamp HA16

Exterior Glazing



Issue Date: 28 JUL 2017

Revision Date:

Item Name	Glazing
Description:	Glazing within Prodena
Manufacturer:	Oldcastle
Glass Type:	Spandrel
Color:	Milky White
Lead Time:	To be verified
Warranty:	To be verified
Eco-Feature(s) *as per manufacturer:	To be verified

SPECIAL INSTRUCTIONS

MANUFACTURER	AREAS
Oldcastle, Inc. 800-899-8455 Customer Service / Sales	EXTERIOR BUILDING Exterior Building
ALTERNATE MANUFACTURER 1	
ALTERNATE MANUFACTURER 2	
ALTERNATE MANUFACTURER 3	

Issue Date: 28 JUL 2017
 Revision Date: 29 JAN 2018

Item Name: Glazing
 Description: Glazing at w xyz Storefront
 Manufacturer: Viracon
 Product: Viraspan
 Glass Type: Spandrel
 Color: Warm Gray (V933)
 Lead Time: TBD
 Warranty: Standard 10-Year Limited Warranty
 Eco-Feature(s) *as per manufacturer: Green Design / LEED Certified Company, ISO 9001



Color Reference Only

SPECIAL INSTRUCTIONS

MANUFACTURER Viracon 800-533-2080 Customer Service / Sales	AREAS EXTERIOR BUILDING Exterior Building
ALTERNATE MANUFACTURER 1	
ALTERNATE MANUFACTURER 2	
ALTERNATE MANUFACTURER 3	

Exterior Insulation Finishing System (EIFS)

Issue Date: 28 JUL 2017

Revision Date: 29 JAN 2018

Item Name	Entire Building EIFS
Manufacturer:	Dryvit Systems, Inc.
Product:	Outsulation Plus MD System
Size:	1-1/2" minimum insulation thickness
Color:	ALOF-01-2745 - White
Finish:	Limestone HDP (Hydrophobic)
Texture:	Limestone finish is designed to replicate the appearance of limestone blocks. The finish will have large flat areas with interspersed small pit marks.
Lead Time:	3-5 business days
Warranty:	10-Year limited repair and replacement material defect warranty, 10-year fade resistance
Eco-Feature(s) *as per manufacturer:	Not Applicable



SPECIAL INSTRUCTIONS

1. Provide EIFS high impact mesh assembly for lower 8'-0" of wall areas at grade. Basis of design - Dryvit "Standard" mesh over Panzer 20 oz." high impact mesh.

<p>MANUFACTURER</p> <p>Dryvit Systems, Inc. 800-556-7752 Bob Dazel (734) 276-0404 bob.dazel@dryvit.com</p>	<p>AREAS</p> <p>EXTERIOR BUILDING</p> <p>Exterior Building</p>
<p>ALTERNATE MANUFACTURER 1</p>	
<p>ALTERNATE MANUFACTURER 2</p>	
<p>ALTERNATE MANUFACTURER 3</p>	



Issue Date: 28 JUL 2017

Revision Date: 29 JAN 2018

Item Name	Building Corners EIFS
Manufacturer:	Dryvit Systems, Inc.
Product:	Outsulation Plus MD System
Size:	1-1/2" minimum insulation thickness
Color:	ALOF-06-2745S - Dark Gray w/StratoTone high performance colorant
Finish:	Limestone HDP (Hydrophobic)
Texture:	Limestone finish is designed to replicate the appearance of limestone blocks. The finish will have large flat areas with interspersed small pit marks.
Lead Time:	3-5 business days
Warranty:	10-Year limited repair and replacement material defect warranty, 6-year fade resistance
Eco-Feature(s) *as per manufacturer:	Not Applicable

SPECIAL INSTRUCTIONS

1. Provide EIFS high impact mesh assembly for lower 8'-0" of wall areas at grade. Basis of design - Dryvit "Standard" mesh over Panzer 20 oz." high impact mesh.

MANUFACTURER	AREAS
Dryvit Systems, Inc. 800-556-7752 Bob Dazel (734) 276-0404 bob.dazel@dryvit.com	EXTERIOR BUILDING Exterior Building
ALTERNATE MANUFACTURER 1	
ALTERNATE MANUFACTURER 2	
ALTERNATE MANUFACTURER 3	

Issue Date: 28 JUL 2017

Revision Date: 29 JAN 2018

Item Name	Building Corners EIFS
Manufacturer:	Dryvit Systems, Inc.
Product:	Outsulation Plus MD System (Alternate)
Size:	1-1/2" minimum insulation thickness
Color:	ALOF-06-1087 over ALOF-06-2745S - Dark Gray w/StratoTone high performance colorant
Finish:	Reflectit Metallic Finish Coating over Limestone HDP (Hydrophobic)
Texture:	Limestone finish is designed to replicate the appearance of limestone blocks. The finish will have large flat areas with interspersed small pit marks.
Lead Time:	3-5 business days
Warranty:	10-Year limited repair and replacement material defect warranty, 6-year fade resistance
Eco-Feature(s) *as per manufacturer:	Not Applicable



SPECIAL INSTRUCTIONS

1. Provide EIFS high impact mesh assembly for lower 8'-0" of wall areas at grade. Basis of design - Dryvit "Standard" mesh over Panzer 20 oz." high impact mesh.
2. Metallic coating shall be spray applied only. Application panel areas shall not be greater than 5' x 5' or a workable ratio thereof. Install in strict accordance with Dryvit DS-124.

MANUFACTURER	AREAS
Dryvit Systems, Inc. 800-556-7752 Bob Dazel (734) 276-0404 bob.dazel@dryvit.com	EXTERIOR BUILDING Exterior Building
ALTERNATE MANUFACTURER 1	
ALTERNATE MANUFACTURER 2	
ALTERNATE MANUFACTURER 3	

Issue Date: 28 JUL 2017

Revision Date: 29 JAN 2018

Item Name: Window Accent EIFS
 Manufacturer: Dryvit Systems, Inc.
 Product: Outsulation Plus MD System
 Size: 1-1/2" minimum insulation thickness
 Color: ALOF-05-1085S - Blue w/StratoTone high performance colorant over ALOF-01-2745 - White
 Finish: Demandit Smooth Paint Coating (minimum 2 -coats) over Limestone HDP (Hydrophobic)
 Texture: Limestone finish is designed to replicate the appearance of limestone blocks. The finish will have large flat areas with interspersed small pit marks.
 Lead Time: 3-5 business days
 Warranty: 10-Year limited repair and replacement material defect warranty, 6-year fade resistance
 Eco-Feature(s) *as per manufacturer: Not Applicable



SPECIAL INSTRUCTIONS

MANUFACTURER Dryvit Systems, Inc. 800-556-7752 Bob Dazel (734) 276-0404 bob.dazel@dryvit.com	AREAS EXTERIOR BUILDING Exterior Building
ALTERNATE MANUFACTURER 1	
ALTERNATE MANUFACTURER 2	
ALTERNATE MANUFACTURER 3	



Issue Date: 28 JUL 2017

Revision Date: 29 JAN 2018

Item Name	Window Accent EIFS
Manufacturer:	Dryvit Systems, Inc.
Product:	Outsulation Plus MD System (Alternate)
Size:	1-1/2" minimum insulation thickness
Color:	ALOF-05-1087 - Blue over ALOF-01-2745 - White
Finish:	Reflectic metallic finish coating over Limestone HDP (Hydrophobic)
Texture:	Limestone finish is designed to replicate the appearance of limestone blocks. The finish will have large flat areas with interspersed small pit marks.
Lead Time:	3-5 days
Warranty:	10-Year limited repair and replacement material defect warranty, 6-year fade resistance
Eco-Feature(s) *as per manufacturer:	Not Applicable

SPECIAL INSTRUCTIONS

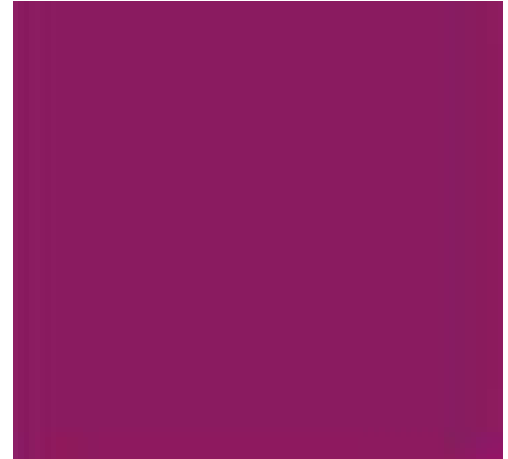
1. Metallic coating can be roller applied in this area. Install in strict accordance with Dryvit DS-124.

MANUFACTURER Dryvit Systems, Inc. 800-556-7752 Bob Dazel (734) 276-0404 bob.dazel@dryvit.com	AREAS EXTERIOR BUILDING Exterior Building
ALTERNATE MANUFACTURER 1	
ALTERNATE MANUFACTURER 2	
ALTERNATE MANUFACTURER 3	

Issue Date: 28 JUL 2017

Revision Date: 29 JAN 2018

Item Name: Window Accent EIFS
 Manufacturer: Dryvit Systems, Inc.
 Product: Outsulation Plus MD System
 Size: 1 - 1/2" minimum insulation thickness
 Color: ALOF-07-1085S - Pink w/StratoTone high performance colorant over ALOF-01-2745 - White
 Finish: Demandit Smooth Paint Coating (minimum 2 -coats) over Limestone HDP (Hydrophobic)
 Texture: Limestone finish is designed to replicate the appearance of limestone blocks. The finish will have large flat areas with interspersed small pit marks.
 Lead Time: 3-5 business days
 Warranty: 10-Year limited repair and replacement material defect warranty, 6-year fade resistance
 Eco-Feature(s) *as per manufacturer: Not Applicable



SPECIAL INSTRUCTIONS

MANUFACTURER Dryvit Systems, Inc. 800-556-7752 Bob Dazel (734) 276-0404 bob.dazel@dryvit.com	AREAS EXTERIOR BUILDING Exterior Building
ALTERNATE MANUFACTURER 1	
ALTERNATE MANUFACTURER 2	
ALTERNATE MANUFACTURER 3	

Issue Date: 28 JUL 2017

Revision Date: 29 JAN 2018

Item Name	Window Accent EIFS
Manufacturer:	Dryvit Systems, Inc.
Product:	Outsulation Plus MD System (Alternate)
Size:	1 - 1/2" minimum insulation thickness
Color:	ALOF-07-1087 - Pink over ALOF-01-2745 - White
Finish:	Reflectit metallic finish coating over Limestone HDP (Hydrophobic)
Texture:	Limestone finish is designed to replicate the appearance of limestone blocks. The finish will have large flat areas with interspersed small pit marks.
Lead Time:	3-5 business days
Warranty:	10-Year limited repair and replacement material defect warranty, 6-year fade resistance
Eco-Feature(s) *as per manufacturer:	Not Applicable



SPECIAL INSTRUCTIONS

1. Metallic coating can be roller applied in this location. Install in strict accordance with Dryvit DS-124.

<p>MANUFACTURER</p> <p>Dryvit Systems, Inc. 800-556-7752 Bob Dazel (734) 276-0404 bob.dazel@dryvit.com</p>	<p>AREAS</p> <p>EXTERIOR BUILDING</p> <p>Exterior Building</p>
<p>ALTERNATE MANUFACTURER 1</p>	
<p>ALTERNATE MANUFACTURER 2</p>	
<p>ALTERNATE MANUFACTURER 3</p>	

Issue Date:

Revision Date: 29 JAN 2018

Item Name	Roof Accent Feature Wall EIFS
Manufacturer:	Dryvit Systems, Inc.
Product:	Outsulation Plus MD System
Color:	ALOF-05-1087 over ALOF-05-1094S - Blue w/ StratoTone high performance colorant
Finish:	Reflectit metallic finish coating over Limestone DPR
Texture:	Limestone finish is designed to replicate the appearance of limestone blocks. The finish will have large flat areas with interspersed small pit marks.
Lead Time:	3-5 business days
Warranty:	10-Year limited repair and replacement material defects warranty, 6-year fade resistanc
Eco-Feature(s) *as per manufacturer:	Not Applicable



SPECIAL INSTRUCTIONS

1. Provide EIFS high impact mesh assembly for lower 8'-0" of wall areas at grade. Basis of design - Dryvit "Standard" mesh over Panzer 20 oz." high impact mesh.
2. Metallic coating shall be spray applied only. Application panel areas shall not be greater than 5' x 5' or a workable ratio thereof. Install in strict accordance with Dryvit DS-124.

<p>MANUFACTURER</p> <p>Dryvit Systems, Inc. 800-556-7752</p> <p>Bob Dazel (734) 276-0404 bob.dazel@dryvit.com</p>	<p>AREAS</p> <p>EXTERIOR BUILDING</p> <p>Exterior Building</p>
<p>ALTERNATE MANUFACTURER 1</p>	
<p>ALTERNATE MANUFACTURER 2</p>	
<p>ALTERNATE MANUFACTURER 3</p>	

Exterior Metal Windows

Item Name	Metal Window
Description:	Guestroom windows
Manufacturer:	Intus Windows
Product:	Arcade System
Size:	Refer to drawings for window sizes
Finish:	Class 1 Clear Anodized or color that resembles clear anodized aluminum 2604 finish
Lead Time:	TBD
Warranty:	The product shall be free from material defects, in material and workmanship for a period of 10 years from the date of substantial completion of the project, however, the limited warranty shall begin in no event later than 6 months from the date of shipment. Must provide 2604 finish with 10-warranty. Hotels located in coastal/ salt water areas require 2605 finish with 15-year warranty. Class 1 clear anodized with 10-year warranty. Must provide ten year warranty on glass.
Note:	(1) fixed window above PTAC with louver and (1) awning with fixed window above at desk (refer to exterior elevations)



SPECIAL INSTRUCTIONS

MANUFACTURER	AREAS
Intus Windows 888-380-9940 Brian Guyer 301-508-0150	EXTERIOR BUILDING Exterior Building
ALTERNATE MANUFACTURER 1 Kawneer Ian Cable	
ALTERNATE MANUFACTURER 2 Quaker Commercial Windows & Doors 800-347-0438 Andre Dicknette 573-744-5211	
ALTERNATE MANUFACTURER 3	

Item Name	Metal Window
Description:	Guestroom windows
Manufacturer:	Kawneer
Product:	OptiQ AA 4325 Series
Size:	Refer to drawings for window sizes
Finish:	Class 1 Clear Anodized or color that resembles clear anodized aluminum 2604 finish
Lead Time:	TBD
Material Warranty:	Standard two year warranty
Finish Warranty:	Class I Anodize - Will come standard with (5) Years, can be extended up to (10) Years for an additional fee Stock Paint (50% Kynar AAMA 2604) - Will come standard with (5) Years, can be extended up to (10) Years for an additional fee Stock Paint (70% Kynar AAMA 2605) - Will come standard with (10) Years, can be extended up to (20) Years for an additional fee Per Marriott, must provide 2604 finish with 10-warranty. Hotels located in coastal/ salt water areas require 2605 finish with 15-year warranty. Class 1 clear anodized with 10-year warranty. Must provide ten year warranty on glass.



SPECIAL INSTRUCTIONS

MANUFACTURER	AREAS
Kawneer Ian Cable 603-552-3541	EXTERIOR BUILDING Exterior Building
ALTERNATE MANUFACTURER 1 Intus Windows 888-380-9940 Brian Guyer	
ALTERNATE MANUFACTURER 2 Quaker Commercial Windows & Doors 800-347-0438 Andre Dicknette 573-744-5211	
ALTERNATE MANUFACTURER 3	



Issue Date: 28 JUL 2017

Revision Date: 29 JAN 2018

Item Name	Metal Window
Description:	Guestroom windows
Manufacturer:	Quaker
Product:	Aluminum Storefront System
Size:	Refer to drawings for window sizes
Frame Width:	Minimum 2" for window drape
Finish:	Class 1 Clear Anodized or color that resembles clear anodized aluminum 2604 finish
AAMA Rating:	603.8
Lead Time:	TBD
Warranty:	Quaker warrants that under normal conditions, its factory installed insulated glass with Duralite spacers will be free from manufacturing defects for five (5) years from original date of purchase. Glass is warranted against stress cracks for ninety (90) days from original date of purchase Per Marriott, must provide 2604 finish with 10-warranty. Hotels located in coastal/ salt water areas require 2605 finish with 15-year warranty. Class 1 clear anodized with 10-year warranty. Must provide ten year warranty on glass.

SPECIAL INSTRUCTIONS

MANUFACTURER Quaker Commercial Windows & Doors 800-347-0438 Andre Dicknette 573-744-5211	AREAS EXTERIOR BUILDING Exterior Building
ALTERNATE MANUFACTURER 1 Intus Windows 888-380-9940 Brian Guyer	
ALTERNATE MANUFACTURER 2 Kawneer Ian Cable 603-552-3541	
ALTERNATE MANUFACTURER 3	

Issue Date: 29 JAN 2018

Revision Date:

Item Name	Metal Window
Description:	Guestroom windows
Manufacturer:	YKK AP
Product:	YOW 350 XT
Size:	Refer to drawings for window sizes
Finish:	Clear Anodized (Class 1) or color that resembles clear anodized aluminum 2604 finish
Lead Time:	TBD
Material Warranty:	Ten (10) years on insulated glass
Finish Warranty:	Class II Anodize - Will come standard with (2) Years, cannot be extended Class I Anodize - Will come standard with (5) Years, can be extended up to (10) Years for an additional fee Stock Paint (50% Kynar AAMA 2604) - Will come standard with (5) Years, can be extended up to (10) Years for an additional fee Stock Paint (70% Kynar AAMA 2605) - Will come standard with (10) Years, can be extended up to (20) Years for an additional fee



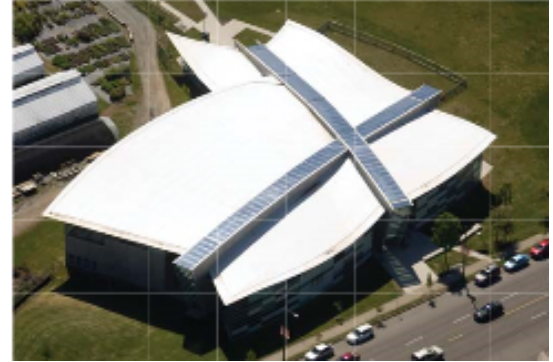
SPECIAL INSTRUCTIONS

<p>MANUFACTURER YKK AP Mike Gilbert (404) 451-1134</p>	<p>AREAS EXTERIOR BUILDING Exterior Building</p>
<p>ALTERNATE MANUFACTURER 1 Intus Windows 888-380-9940 Brian Guyer</p>	
<p>ALTERNATE MANUFACTURER 2 Kawneer Ian Cable 603-552-3541</p>	
<p>ALTERNATE MANUFACTURER 3 Quaker Commercial Windows & Doors Andre Dicknette 573-744-5211</p>	

Exterior Roofing

Issue Date: 28 JUL 2017
 Revision Date: 29 JAN 2018

Item Name: TPO Membrane Roofing
Description: All roofs, excluding pool and Porte Cochere roofs
Manufacturer: Carlisle
Product: Sure-Weld TPO Membrane Roofing
Color / Finish: Tan (with an SRI of 88)
Lead Time: TBD
Warranty: Limited One Year Warranty - Buyer to provide notice of claim under warranty within 30 days of discovering premature deterioration of Membrane. Limited to repair material for the original Membrane or credit to apply towards the purchase of a new Membrane.
Eco-Feature(s) *as per manufacturer: For ALOFT LEED projects, Hotels must comply with LEED credit SSc7.2. Pre-Consumer Recycled Content: 10%



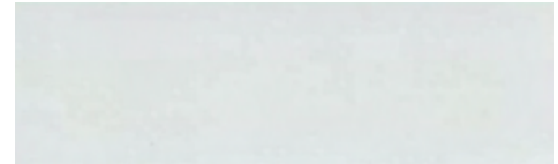
SPECIAL INSTRUCTIONS

MANUFACTURER	AREAS
Carlisle Syntec Systems 800-479-6832 Customer Service / Sales	EXTERIOR BUILDING Exterior Building
ALTERNATE MANUFACTURER 1	
ALTERNATE MANUFACTURER 2	
ALTERNATE MANUFACTURER 3	

Issue Date: 28 JUL 2017

Revision Date:

Item Name	Standard Seam Roofing
Description:	Pool / Porte Cochere Roof
Manufacturer:	McElroy
Product:	Standing Seam Roofing
Dimensions:	18" Profile spacing 1" High ribs
Color / Finish:	Regal White
Lead Time:	To be verified
Warranty:	To be verified
Eco-Feature(s) *as per manufacturer:	To be verified



For Color Reference Only

SPECIAL INSTRUCTIONS

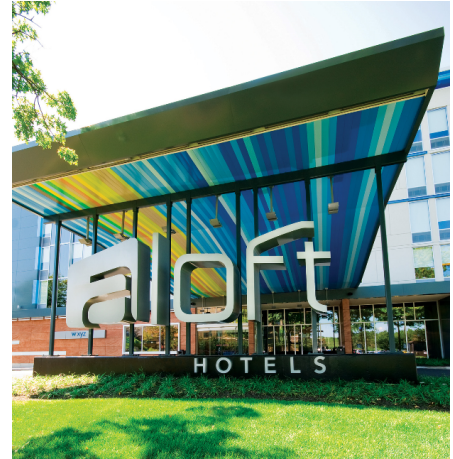
<p>MANUFACTURER McElroy Metal 844-437-2887 Customer Services / Sales</p>	<p>AREAS EXTERIOR BUILDING Exterior Building</p>
<p>ALTERNATE MANUFACTURER 1</p>	
<p>ALTERNATE MANUFACTURER 2</p>	
<p>ALTERNATE MANUFACTURER 3</p>	

Exterior Soffit

Issue Date: 28 JUL 2017

Revision Date:

Item Name	Exterior Soffit
Description:	Underside of Roof Feature and Porte Cochere
Manufacturer:	Luxalon
Product:	Exterior 150F
Dimensions:	Refer to drawings
Color / Finish:	Pantone matching system (as noted on drawings)
Lead Time:	To be verified
Warranty:	1-Year
Eco-Feature(s) *as per manufacturer:	High recycled aluminum content (up to 92%) No VOCs: No added urea-formaldehyde GREENGUARD Gold Certified



SPECIAL INSTRUCTIONS

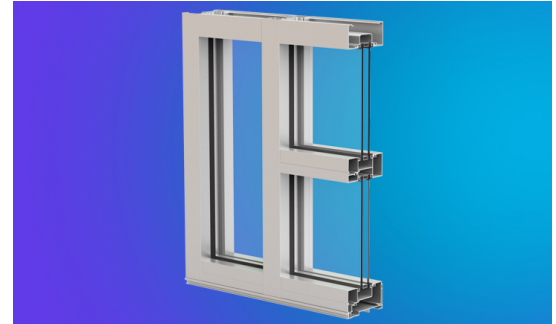
<p>MANUFACTURER Luxalon Metal Systems by Hunter Douglas 800-727-8953 Customer Service / Sales</p>	<p>AREAS EXTERIOR BUILDING</p> <ul style="list-style-type: none"> Porte Cochere Roof Feature
<p>ALTERNATE MANUFACTURER 1</p>	
<p>ALTERNATE MANUFACTURER 2</p>	
<p>ALTERNATE MANUFACTURER 3</p>	

Exterior Storefront

Issue Date: 28 JUL 2017

Revision Date: 29 JAN 2018

Item Name: Storefront Window
 Description: Outside Glazed Storefront System
 Manufacturer: YKK AP
 Product: YES 45 TU
 Color: Clear Anodized Aluminum (Class 1)
 Note: 1" Insulating Glazing, Clear/Acid Etched for Spandrel Glazing
 Quality Standards: Air Infiltration Tested (ASTM E 283); Water Infiltration Tested in accordance with ASTM E 331; Deflection Tested in accordance with ASTM E330
 Lead Time: Varies, 8 weeks average
 Warranty: 1 year materials and workmanship, 10 years finish



SPECIAL INSTRUCTIONS

MANUFACTURER	AREAS
YKK AP Mike Gilbert (404) 451-1134	
ALTERNATE MANUFACTURER 1	
ALTERNATE MANUFACTURER 2	
ALTERNATE MANUFACTURER 3	

Issue Date: 28 JUL 2017

Revision Date: 29 JAN 2018

Item Name	Storefront Window
Description:	Commercial Storefront System
Manufacturer:	YKK AP
Product:	YES 60 TU
Color:	Clear Anodized Aluminum (Class 1)
Note:	Acid Etched or Acrylic
Lead Time:	Varies, 8 weeks average
Warranty:	1 year materials and workmanship, 10 years finish



SPECIAL INSTRUCTIONS

<p>MANUFACTURER YKK AP Mike Gilbert (404) 451-1134</p>	<p>AREAS</p>
<p>ALTERNATE MANUFACTURER 1</p>	
<p>ALTERNATE MANUFACTURER 2</p>	
<p>ALTERNATE MANUFACTURER 3</p>	

Issue Date: **14 FEB 2019**

Revision Date:

Item Name: **Skylight Window**
 Description: Structural single pitch glass
 Manufacturer: Wasco Skylights
 Product: Pinnacle 350
 Color: Glazing: Translucent insulated glass
 Finish: Colonial White
 Finish Application: Kynar 500
 Lead Time: TBD
 Warranty: TBD
 Eco-Feature(s) *as per manufacturer: N/A



SPECIAL INSTRUCTIONS

MANUFACTURER Wasco Skylights	AREAS EXTERIOR SITE Exterior Pool
ALTERNATE MANUFACTURER 1	
ALTERNATE MANUFACTURER 2	
ALTERNATE MANUFACTURER 3	

Exterior Wall Panel



Issue Date: 28 JUL 2017

Revision Date: 29 JAN 2018

Item Name	Metal Panel System (Alternate)
Description:	Building corner material **Alternate to spec no. EEF-002
Manufacturer:	ALPOLIC
Product:	3mm4BGY 3.5
Color:	BGY Grey (4BGY)
Texture/Luster:	Not applicable
Thickness:	TBD
Dimensions:	Varies
Lead Time:	Varies
Warranty:	20 years
Eco-Feature(s) *as per manufacturer:	LEED Certified

SPECIAL INSTRUCTIONS

<p>MANUFACTURER ALPOLIC Metal Composite Materials 800-422-7270 Customer Service / Sales</p>	<p>AREAS EXTERIOR BUILDING Exterior Building</p>
<p>ALTERNATE MANUFACTURER 1</p>	
<p>ALTERNATE MANUFACTURER 2</p>	
<p>ALTERNATE MANUFACTURER 3</p>	

Issue Date: 28 JUL 2017
 Revision Date: 29 JAN 2018

Item Name: Aluminum Composite Panel (Alternate)
 Description: Roof feature accent wall **Alternate to spec no. EEF-005
 Manufacturer: Madison Industries
 Product: Composite Panel System
 Color: Custom Color (Pantone Matching System Blue #2905; National Account No. ALOF-01-1353)
 Texture/Luster: Not applicable
 Size: 1"
 Lead Time: TBD
 Warranty: A one year parts and labor warranty is provided for items manufactured by Madison Industries. The manufactures warranty will be passed on for any parts not manufactured by Madison Industries. This warranty is effective as of completion date of field installation.



SPECIAL INSTRUCTIONS

<p>MANUFACTURER</p> <p>Madison Industries 770-483-4401 X3243 Sam Frey 562-310-3795 sfrey@madisonind.com</p>	<p>AREAS</p> <p>EXTERIOR BUILDING</p> <p>Exterior Building</p>
<p>ALTERNATE MANUFACTURER 1</p>	
<p>ALTERNATE MANUFACTURER 2</p>	
<p>ALTERNATE MANUFACTURER 3</p>	

Issue Date: 28 JUL 2017
 Revision Date: 25 MAY 2018

Item Name	Wood Panel (Alternate)
Description:	Front Entry / Pool Entry wood wall panels
Manufacturer:	Nichiha
Product:	Nichiha Wood Series
Color:	Vintage Wood - Cedar
Texture/Luster:	Not applicable
Thickness:	5/8" (16mm)
Dimensions:	AWP-3030 Panels 18" H x 10'-0" L (Nominal)
Lead Time:	TBD
Warranty:	15-Year warranty against manufactured defects in fiber cement panels. 15-Year warranty against manufactured defects in panel finish. (Warranty provided for the original purchaser)
Eco-Feature(s) *as per manufacturer:	LEED Certified



SPECIAL INSTRUCTIONS

MANUFACTURER	AREAS
Nichiha Fiber Cement (866) 424-4421 Chris Tate 770-805-9466 aloft@nichiha.com	EXTERIOR BUILDING Exterior Building
ALTERNATE MANUFACTURER 1 Artexture+ 212-265-8400 Joseph Del Brocco	
ALTERNATE MANUFACTURER 2	
ALTERNATE MANUFACTURER 3	

Issue Date: 28 JUL 2017
 Revision Date: 29 JAN 2018

Item Name	Wood Panel
Description:	Front Entry / Pool Entry wood wall panel
Manufacturer:	Prodema represented by Artexture+
Product:	Prodema ProdEX Exterior Cladding
Color:	Rustik
Texture/Luster:	Not applicable
Thickness:	8mm for exposed fasteners or 10mm for concealed
Dimensions:	8'-0" x 2'-0"
Lead Time:	Approximately 2 weeks on orders < 3,200 sq. ft. or approximately 10 weeks on orders > 3,200 sq. ft.
Warranty:	10 years
Eco-Feature(s) *as per manufacturer:	ISO 9001 Quality, ISO 14001 Environmental, ISO 14006 Ecodesign, Management System, PEFC Certificate.



For Color Reference Only

SPECIAL INSTRUCTIONS

MANUFACTURER Artexture+ 212-265-8400 Joseph Del Brocco 212-265-8400	AREAS EXTERIOR BUILDING Exterior Building
ALTERNATE MANUFACTURER 1 Nichiha Fiber Cement (866) 424-4421 Chris Tate aloft@nichiha.com	
ALTERNATE MANUFACTURER 2	
ALTERNATE MANUFACTURER 3	

Issue Date: 28 JUL 2017
 Revision Date: 25 MAY 2018

Item Name	Wood Panel
Description:	Front Entry / Pool Entry wood wall panel
Manufacturer:	Nichiha
Product:	VintageWood
Color:	Cedar (EF762)
Texture/Luster:	Not applicable
Pattern:	Not applicable
Thickness:	5/8" (16mm)
Dimensions:	6'-0" x 18" Panels
Lead Time:	TBD
Warranty:	50-Year warranty against manufactured defects in fiber cement panels. 15-Year warranty against manufactured defects in panel finish. (Warranty provided for the original purchaser)
Eco-Feature(s) *as per manufacturer:	LEED Certified



SPECIAL INSTRUCTIONS

<p>MANUFACTURER Nichiha Fiber Cement (866) 424-4421 Chris Tate 770-805-9466 aloft@nichiha.com</p> <hr/> <p>ALTERNATE MANUFACTURER 1 Artexture+ Joseph Del Brocco</p> <hr/> <p>ALTERNATE MANUFACTURER 2</p> <hr/> <p>ALTERNATE MANUFACTURER 3</p>	<p>AREAS EXTERIOR BUILDING Porte Cochere Canopy</p>
--	--



Issue Date: 28 JUL 2017

Revision Date: 29 JAN 2018

Item Name	Aluminum Composite Panel
Manufacturer:	ALPOLIC
Description:	Roof trim at Porte Cochere
Product:	3mm4BGY 3.5 BGY Grey
Color:	BGY Grey (4BGY)
Texture/Luster:	Not applicable
Thickness:	TBD
Dimensions:	Varies
Lead Time:	Varies
Warranty:	20 years
Eco-Feature(s) *as per manufacturer:	LEED Certified

SPECIAL INSTRUCTIONS

MANUFACTURER ALPOLIC Metal Composite Materials Customer Service / Sales 800-422-7270	AREAS EXTERIOR BUILDING Porte Cochere Canopy
ALTERNATE MANUFACTURER 1	
ALTERNATE MANUFACTURER 2	
ALTERNATE MANUFACTURER 3	



Issue Date: 25 MAY 2018

Revision Date:

Item Name	Aluminum Composite Panel (Alternate)
Description:	Roof Trim at Porte Cochere
Manufacturer:	Nichiha
Product:	Illuminations Series
Color:	S-04690 BGY Grey
Texture/Luster:	Not applicable
Thickness:	TBD
Dimensions:	Varies
Lead Time:	TBD
Warranty:	15-Year warranty against manufactured defects in fiber cement panels. 15-Year warranty against manufactured defects in panel finish. (Warranty provided for the original purchaser)
Eco-Feature(s) *as per manufacturer:	LEED Certified

SPECIAL INSTRUCTIONS

<p>MANUFACTURER</p> <p>Nichiha Fiber Cement (866) 424-4421 Chris Tate 770-805-9466 aloft@nichiha.com</p> <hr/> <p>ALTERNATE MANUFACTURER 1</p> <p>Tara Garwood 240-446-9474 Customer Service/Sales</p> <hr/> <p>ALTERNATE MANUFACTURER 2</p> <hr/> <p>ALTERNATE MANUFACTURER 3</p>	<p>AREAS</p> <p>EXTERIOR BUILDING</p> <p>Porte Cochere Canopy</p>
--	--

Issue Date: **14 FEB 2019**

Revision Date:

Item Name	Fiber Cement Panel
Description:	Exterior Wall Cladding
Manufacturer:	Equitone US
Product:	Equitone Linea
Color:	LT20
Dimensions:	48" W max x 120"L max
Lead Time:	TBD
Warranty:	TBD
Eco-Feature(s) *as per manufacturer:	TBD



SPECIAL INSTRUCTIONS

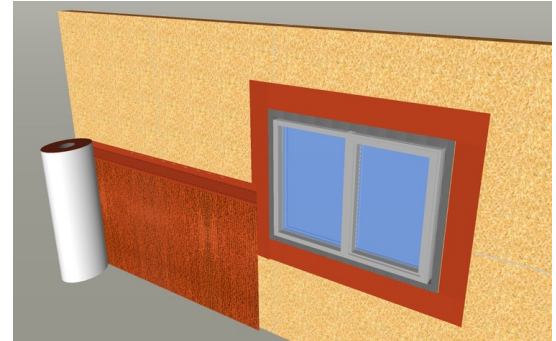
<p>MANUFACTURER</p> <p>Equitone US 314-439-2891</p> <p>Tiffany Anderson tempmarketing@equitone.com</p>	<p>AREAS</p> <p>EXTERIOR BUILDING</p> <p>Backyard (Pool Terrace)</p>
<p>ALTERNATE MANUFACTURER 1</p>	
<p>ALTERNATE MANUFACTURER 2</p>	
<p>ALTERNATE MANUFACTURER 3</p>	

Exterior Wall Membrane

Issue Date: 28 JUL 2017

Revision Date: 29 JAN 2018

Item Name	Exterior Waterproofing Membrane
Description:	Waterproofing membrane at Prodema wall cladding only
Manufacturer:	VaproShield
Product:	Wrapshield
Dimensions:	Rolls (2 layers minimum)
Lead Time:	TBD
Warranty:	20-Year warranty from date of purchase
Eco-Feature(s) *as per manufacturer:	Green Design - Contain zero VOC's and do not require flammable and/or toxic primers. 100% recyclable material



SPECIAL INSTRUCTIONS

MANUFACTURER	AREAS
VaproShield USA 866-731-7663	EXTERIOR BUILDING
Doug Snyder 866-731-7663	Exterior Building
ALTERNATE MANUFACTURER 1	
ALTERNATE MANUFACTURER 2	
ALTERNATE MANUFACTURER 3	

Exterior Wood Decking

Issue Date: **14 FEB 2019**

Revision Date:

Item Name: Wood Decking
 Description: Wood Decking Tiles
 Manufacturer: Bison Innovative Products
 Product: Bison Ipe Wood Tiles
 Model: WT-MAHOGANY 24-5 SMOOTH
 Color: Mahogany, Golden Brown
 Dimensions: 24.125" x 24.125" x 1.77"
 Species: Fijian Mahogany
 Hardness Rating: 800 lbs.
 Weight: 14 lbs.
 Quality Standards: ASTM E108-07a Class A Fire Rating, ASTM C1028-07 Slip Resistance, ASTM TAS108-95 Wind Uplift, Seismic Design Categories (SDC) A-F
 Lead Time: To be Verified
 Warranty: Limited 5 year warranty
 Eco-Feature(s) *as per manufacturer: FSC Certified



SPECIAL INSTRUCTIONS

<p>MANUFACTURER Bison Innovative Products (800) 333-4234</p>	<p>AREAS EXTERIOR SITE Exterior Pool</p>
<p>ALTERNATE MANUFACTURER 1</p>	
<p>ALTERNATE MANUFACTURER 2</p>	
<p>ALTERNATE MANUFACTURER 3</p>	